

DRIVER

DATE

TRACK

EVENT

CITY

TEMPERATURE AIR  TRACK

QUALIFYING	BEST LAP TIME	FINAL	RACE LENGTH
<input type="text"/>	<input type="text"/> SEC	<input type="text"/>	<input type="text"/> MIN

TRACK CONDITION

CARPET  ASPHALT  INDOOR  OUTDOOR

BUMPY  SMOOTH

TECHNICAL  MIXED  FAST

TRACTION  LOW  MEDIUM  HIGH

TRANSMISSION

BELT FRONT  STD  SOFT

GEAR DIFF OIL  CST

REAR  STD  SOFT

NUMBER OF GEARS  2  4

MOTOR  ESC

PINION T SPUR GEAR T FDR

SPRING

17mm  20mm

FRONT	OIL	REAR
<input type="text"/>	<input type="text"/>	<input type="text"/>
<input type="text"/>	SPRING	<input type="text"/>
<input type="text"/>	PISTON	<input type="text"/>
<input type="text"/> %	REBOUND	<input type="text"/> %

ANTI-ROLL BAR

FRONT  mm REAR  mm

TIRES

ADDITIVE

ADDITIVE TIMING

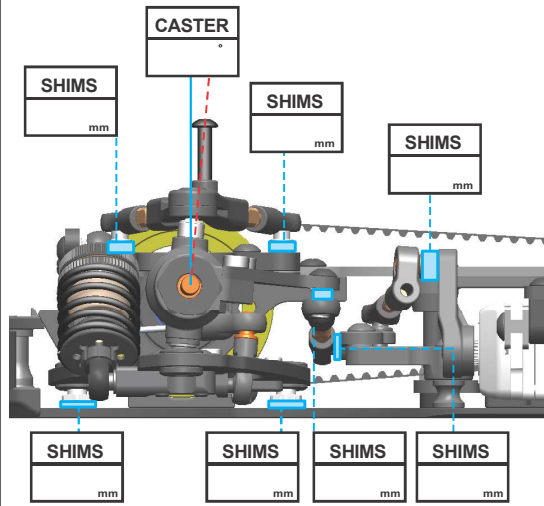
FL FR RL RR

TREATED AREA

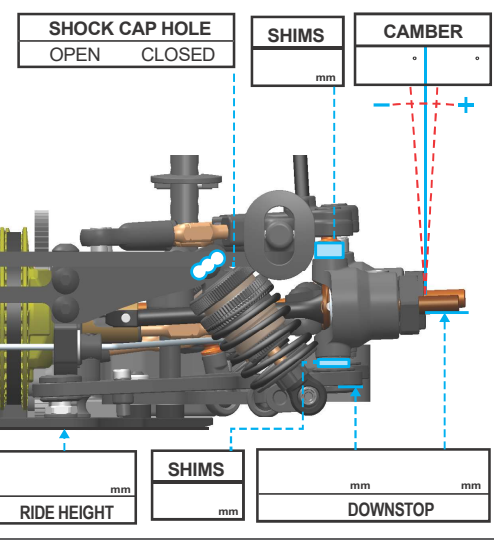
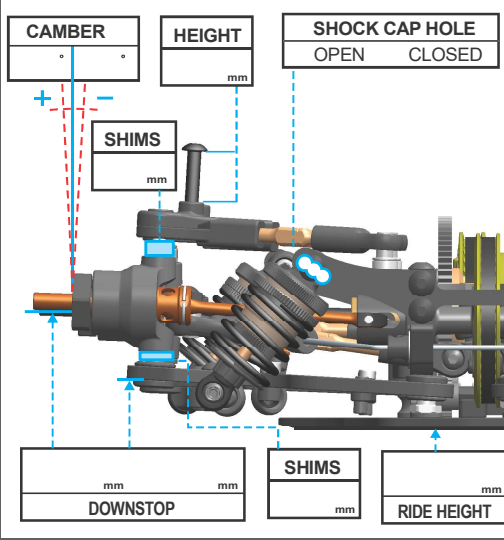
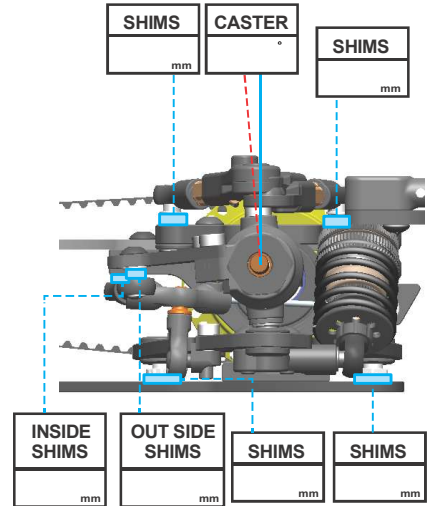
BODY MOUNT DISTANCE  mm

BODY  WING

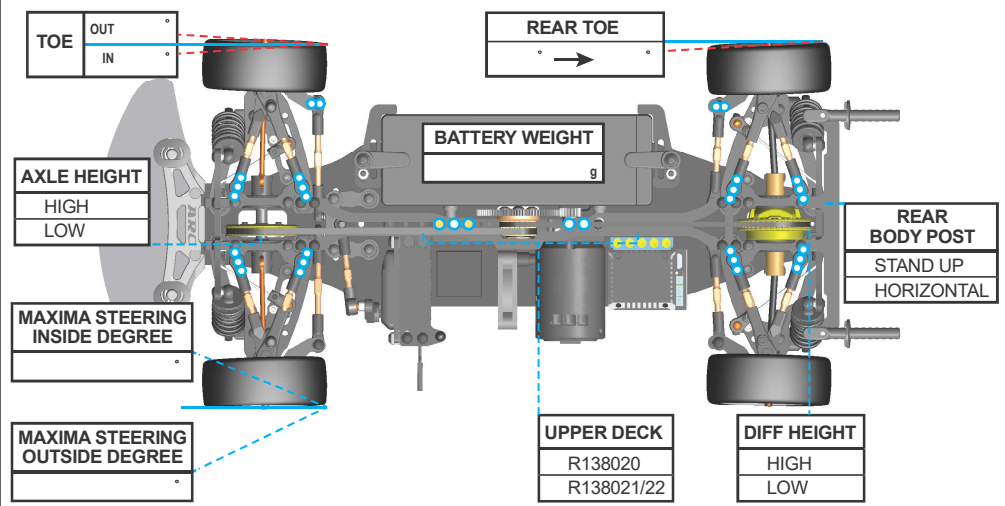
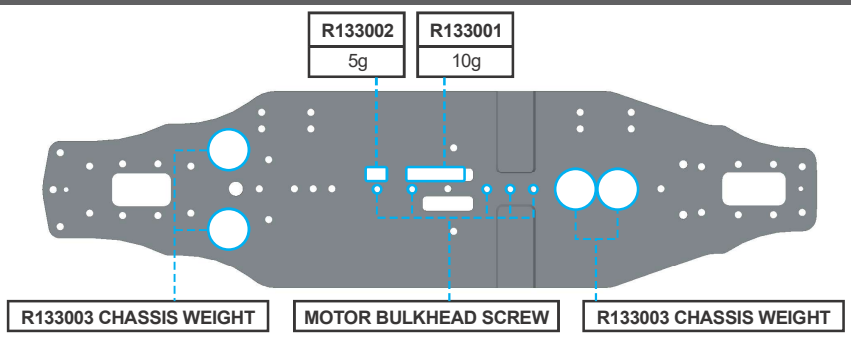
### FRONT



### REAR



### CHASSIS SETUP



# NOTES