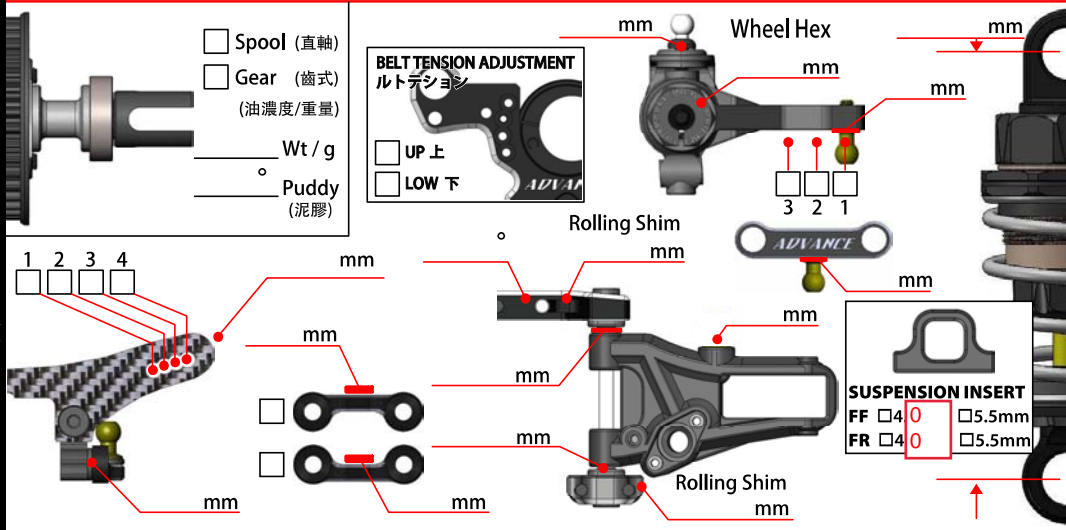


M5 SETUP SHEET PRO

V10 SCALE RADIO CONTROL TOURING CAR

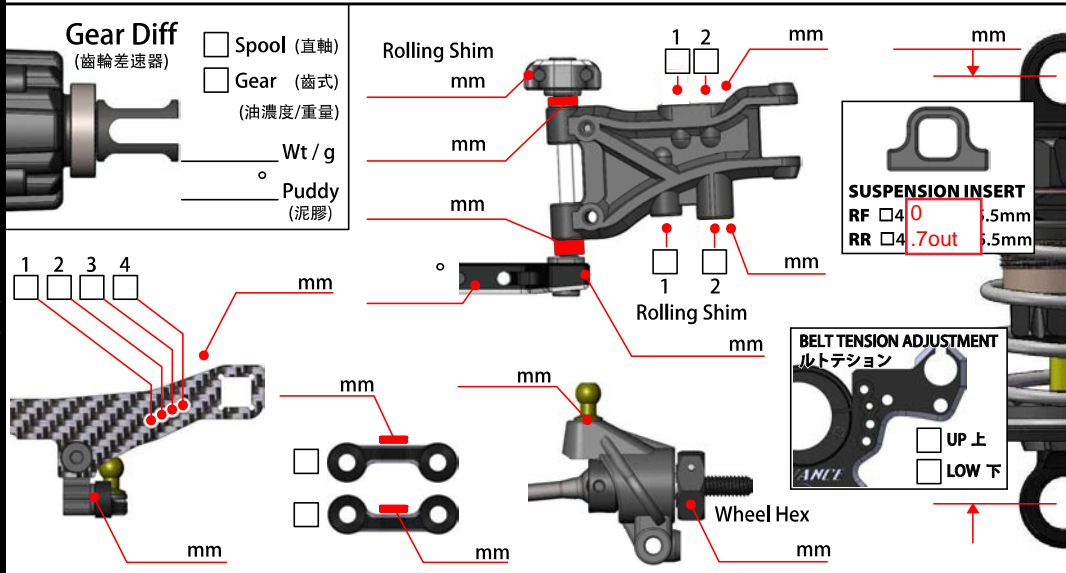
DRIVER	DATE		
CIRCUIT	EVENT		
FINAL POSITION	BEST LAP		
<input type="checkbox"/> Place (地點)	<input type="checkbox"/> Indoor (室內)	<input type="checkbox"/> Outdoor (室外)	
<input type="checkbox"/> Track (場地)	<input type="checkbox"/> Asphalt (瀝青)	<input type="checkbox"/> Carpet (地毯)	
<input type="checkbox"/> Traction (抓著力)	<input type="checkbox"/> High (高)	<input type="checkbox"/> Medium (中)	<input type="checkbox"/> Low (低)
<input type="checkbox"/> Track Condition (場地狀況)	<input type="checkbox"/> Flat (平坦)	<input type="checkbox"/> Bumpy (顛簸)	

FRONT (前方)



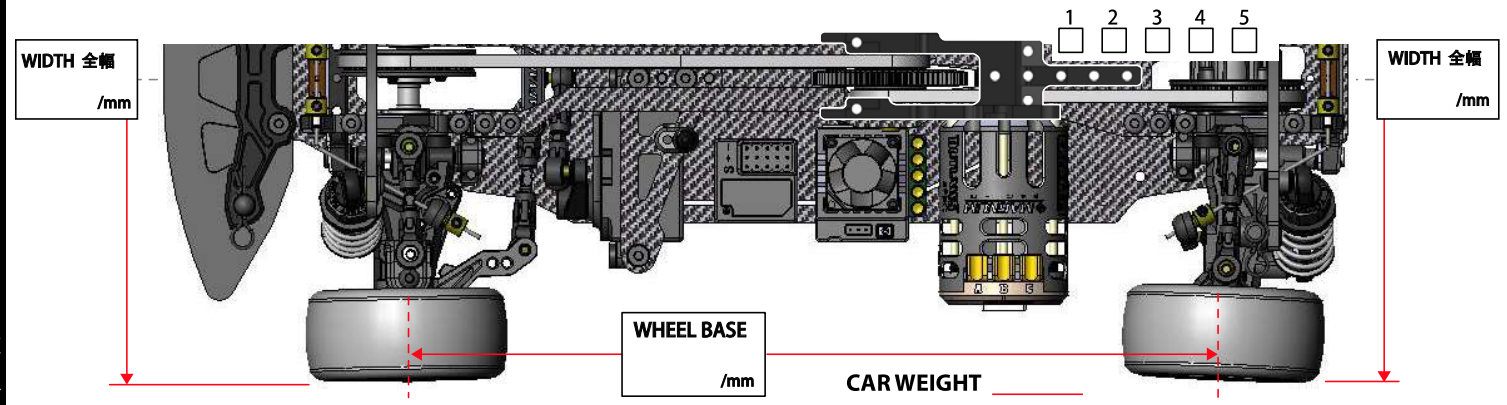
shock absorber 減震器	Ride Height (離地距)
Oil (油濃度)	mm
Piston (活塞) 2 3 4 Holes	Camber Angle (外傾角)
mm	°
Spring (彈簧)	Sway Bar (防傾桿)
mm	mm
Bladder Foam (油壓頂部海綿) Yes <input type="checkbox"/> No <input type="checkbox"/>	Droop (油壓行程)
Rebound (彈芯) %	mm
Notes (備註)	Toe Angle (束角)
	°

REAR (後方)



shock absorber 減震器	Ride Height (離地距)
Oil (油濃度)	mm
Piston (活塞) 2 3 4 Holes	Camber Angle (外傾角)
mm	°
Spring (彈簧)	Sway Bar (防傾桿)
mm	mm
Bladder Foam (油壓頂部海綿) Yes <input type="checkbox"/> No <input type="checkbox"/>	Droop (油壓行程)
Rebound (彈芯) %	mm
Notes (備註)	Toe Angle (束角)
	°

OTHER (其他)



FRONT (前方)	REAR (後方)	Spur Gear (大減齒)	T	Pinion Gear (摩打齒)	T
Tire (胎皮)		Motor (馬達)		Battery (電池)	
Compound (胎皮值)		ESC (電調)		Servo (伺服器)	
Insert (胎胎)		Body (車殼)		Wing (風翼)	
Wheel (輪圈)		Final Drive Ratio (齒比)	(Spur / Pinion x 1.9) : 1		
Tire Treatment (胎水)					
Tire Warmer					