

# SIKURA

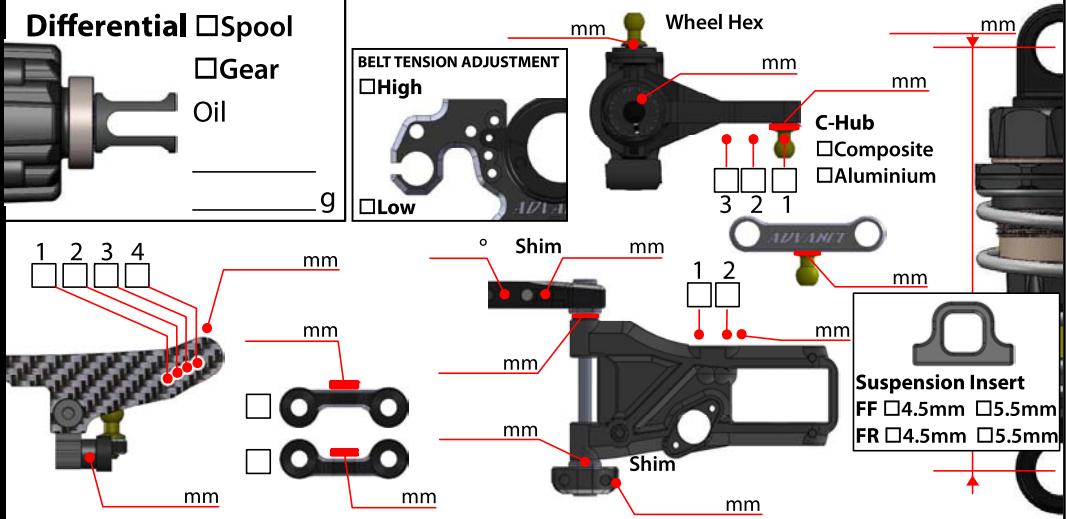
1/10 SCALE RADIO CONTROL TOURING CAR

## FF21

### SETUP SHEET

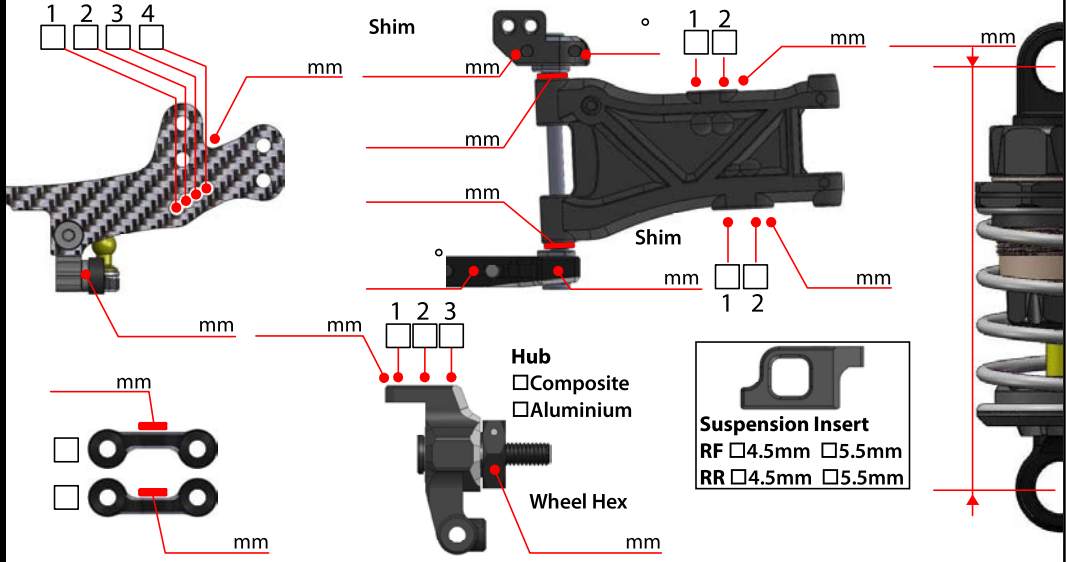
DRIVER	DATE		
CIRCUIT	EVENT		
FINAL POSITION	BEST LAP		
ENVIROMENT	<input type="checkbox"/> INDOOR	<input type="checkbox"/> OUTDOOR	
COMPOSITION	<input type="checkbox"/> ASPHALT	<input type="checkbox"/> CARPET	
TRACTION	<input type="checkbox"/> LOW	<input type="checkbox"/> MEDIUM	<input type="checkbox"/> HIGH
SURFACE	<input type="checkbox"/> SMOOTH	<input type="checkbox"/> BUMPY	

FRONT



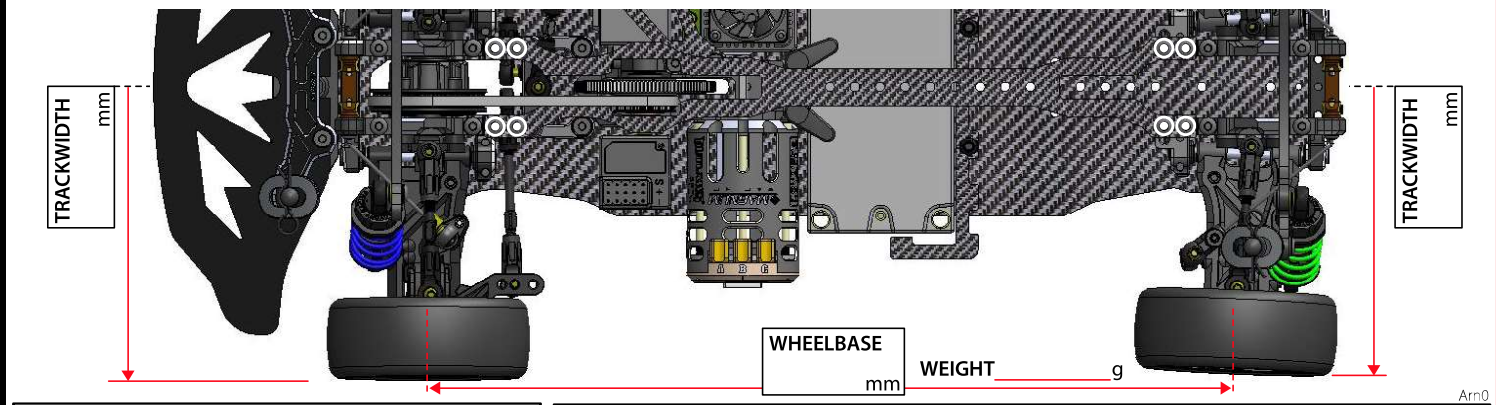
<b>Shock Absorber Oil</b>	Ride Height	_____ mm
	Camber	_____ °
<b>Piston</b> 2 3 4 Holes	Sway Bar	_____ mm
	Spring	_____ mm
<b>Bladder Foam</b> <input type="checkbox"/> Yes <input type="checkbox"/> No	Downstop	_____ mm
	Rebound	_____ %
<b>Notes</b>		

REAR



<b>Shock Absorber Oil</b>	Ride Height	_____ mm
	Camber	_____ °
<b>Piston</b> 2 3 4 Holes	Sway Bar	_____ mm
	Spring	_____ mm
<b>Bladder Foam</b> <input type="checkbox"/> Yes <input type="checkbox"/> No	Downstop	_____ mm
	Rebound	_____ %
<b>Notes</b>		

OTHERS



	Front	Rear
Tire		
Compound		
Insert		
Wheel		
Treatment		
Tire Warmer		

Spur Gear	T	DP	Pinion	T	DP
Motor			Battery		
ESC			Servo		
Body			Wing		
FINAL DRIVE RATIO	(Spur/Pinion)x1.9				