

YZ44SF

SETTING SHEET Ver.01

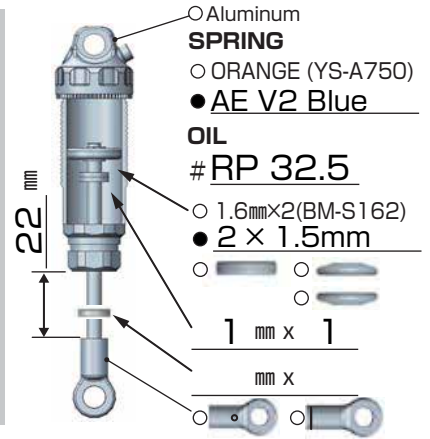
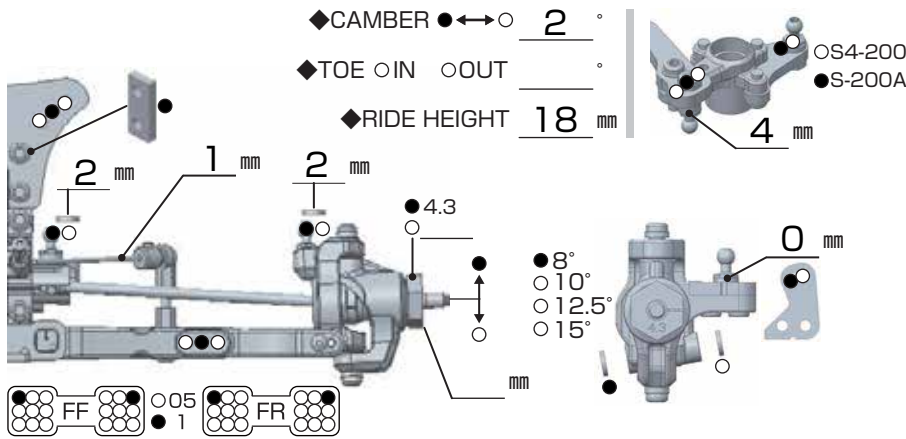
CIRCUIT RC MANIAX ARENA

- INDOOR ○OUTDOOR
- DIRT ○ASTROTURF ○CARPET ○GLASS ○WOOD
- WET ○DRY ○DUSTY ●SMOOTH ○BUMPY
- HARD PACKED ○CLAY ●BLUE GROOVE ○
- LOW TRACTION ○MED TRACTION ●HIGH TRACTION

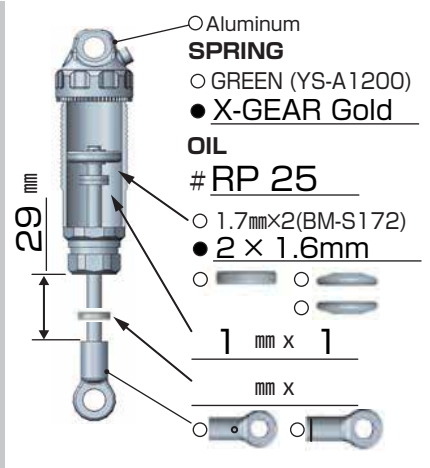
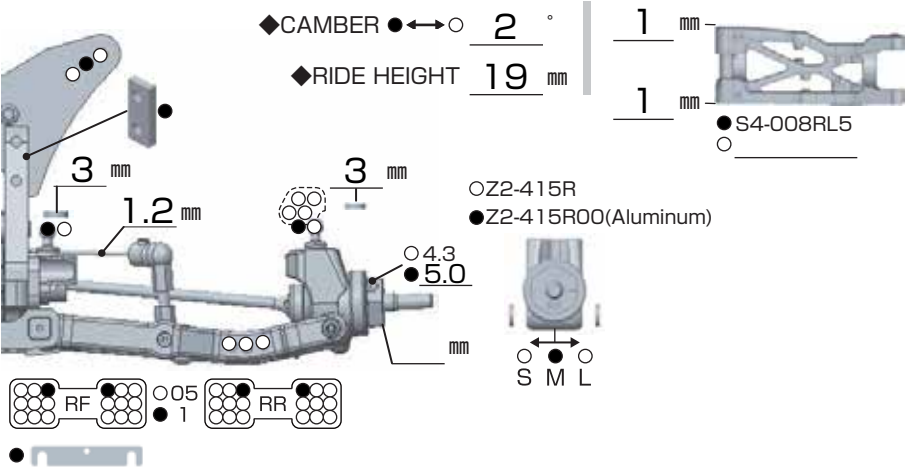
DRIVER Yusuke Sugiura

DATE 2019.3.10

FRONT



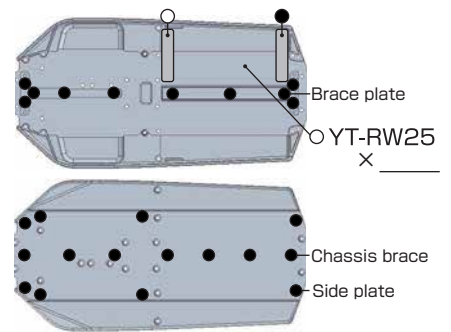
REAR



DRIVE



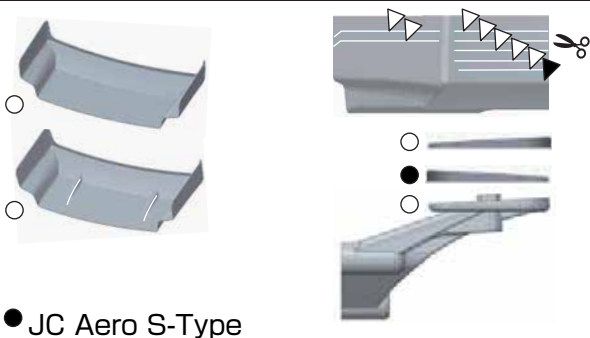
- MOTOR ⇨ Muchmore V2 5.5T Rotor Standard mm
- GEAR ⇨ Spur 80 T / Pinion 19 T : 2.6
- BATTERY ⇨ Muchmore IMPACT 4300
- ESC ○ YOKOMO RPX ○ YOKOMO BL-PRO4
- Muchmore FLETA PRO V2



TIRE

- | | |
|--|---|
| <p>FRONT</p> <p>TIRE ⇨ Proline Prime 22 MC</p> <p>INSERTS ⇨ Proline</p> <p>WHEELS ⇨ YOKOMO</p> | <p>REAR</p> <p>TIRE ⇨ Proline Prime 22 MC</p> <p>INSERTS ⇨ Proline</p> <p>WHEELS ⇨ YOKOMO</p> |
|--|---|

OTHER



COMMENT

- RP Titanium screw
- Titanium turnbuckle
- Aluminum 17mm servo horn
- Light weight S1 body
- Servo : SANWA PGS-LH