

# YZ-4

## SETTING SHEET Ver.02

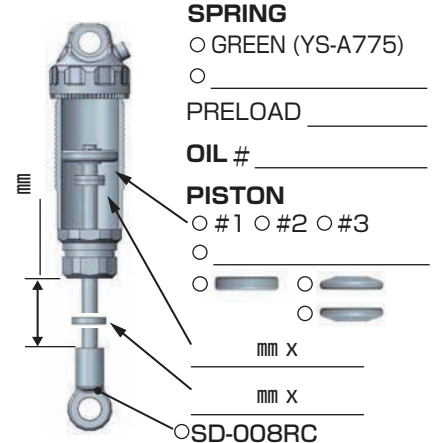
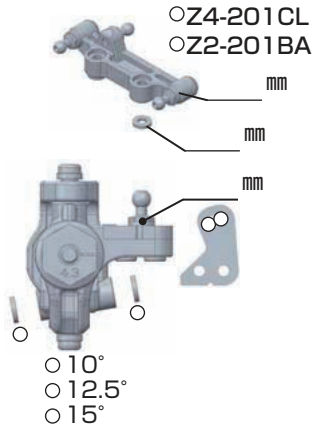
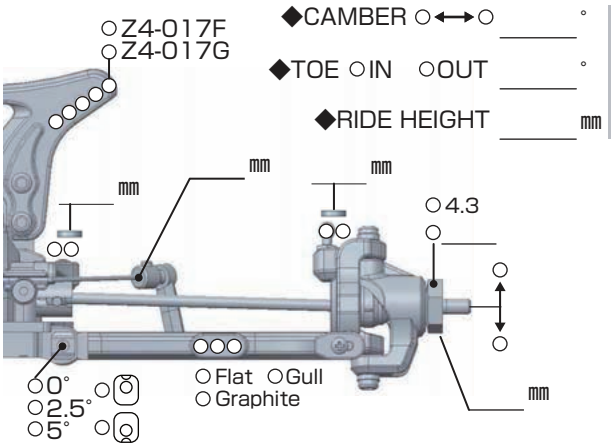
### CIRCUIT

- INDOOR  OUTDOOR
- DIRT  ASTROTURF  CARPET  GRASS  WOOD
- WET  DRY  DUSTY  SMOOTH  BUMPY
- HARD PACKED  CLAY  BLUE GROOVE  \_\_\_\_\_
- LOW TRACTION  MED TRACTION  HIGH TRACTION

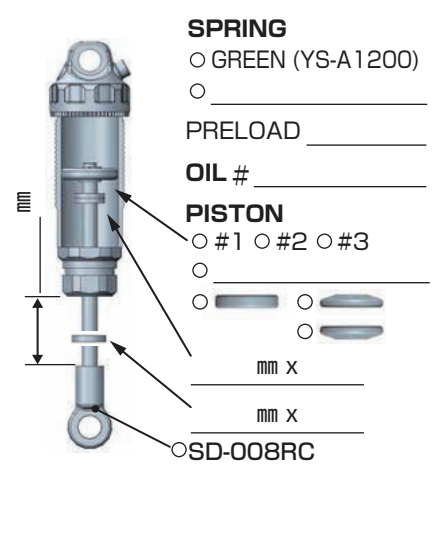
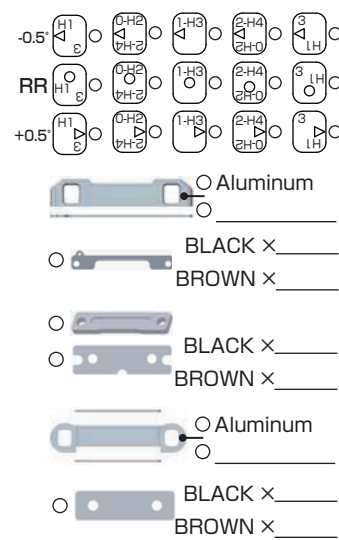
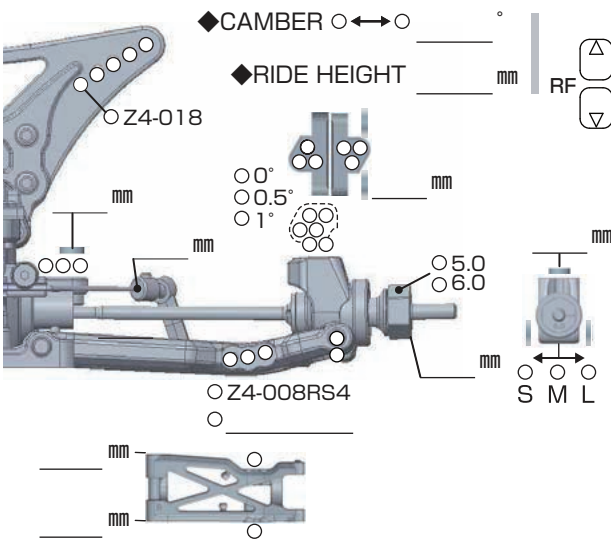
DRIVER \_\_\_\_\_

DATE \_\_\_\_\_

FRONT



REAR



DRIVE



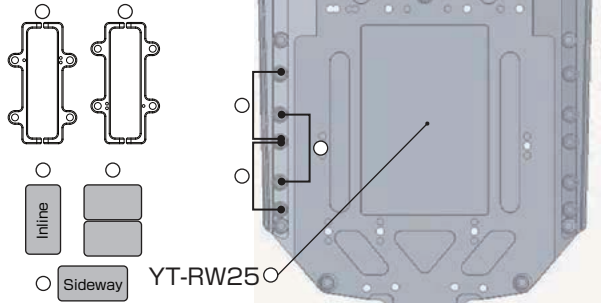
MOTOR  $\rightarrow$  \_\_\_\_\_ Rotor \_\_\_\_\_ mm

GEAR  $\rightarrow$  Spur T / Pinion T: 2.6

BATTERY  $\rightarrow$  \_\_\_\_\_

ESC  YOKOMO RPX  YOKOMO BL-PRO

Battery placement



TIRE

FRONT  
 TIRE  $\rightarrow$  \_\_\_\_\_  
 INSERTS  $\rightarrow$  \_\_\_\_\_  
 WHEELS  $\rightarrow$  \_\_\_\_\_

REAR  
 TIRE  $\rightarrow$  \_\_\_\_\_  
 INSERTS  $\rightarrow$  \_\_\_\_\_  
 WHEELS  $\rightarrow$  \_\_\_\_\_

OTHER

