

# YZ-4

## SETTING SHEET Ver.02

CIRCUIT 2016全日本スタートセットアップ

●INDOOR ○OUTDOOR

○DIRT ●ASTROTURF ○CARPET ○GLASS ○WOOD

○WET ○DRY ○DUSTY ○SMOOTH ○BUMPY

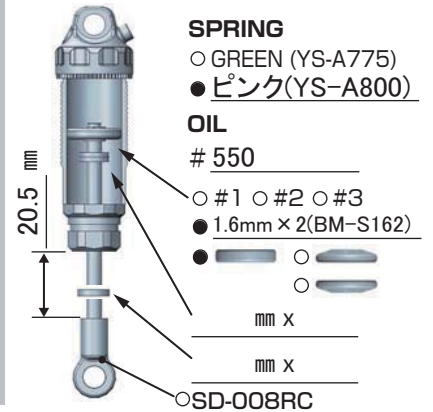
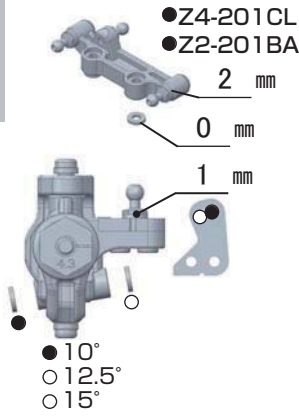
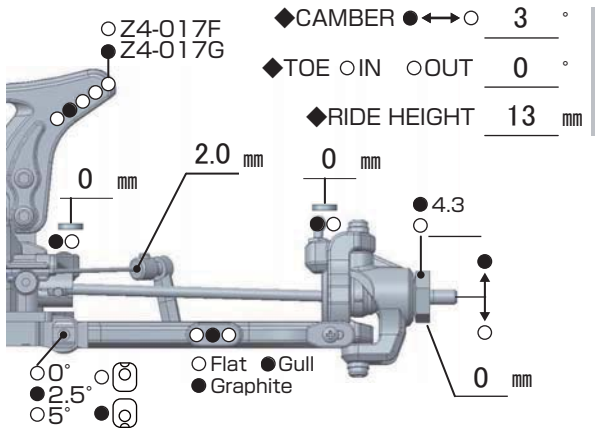
○HARD PACKED ○CLAY ○BIUE GROOVE ○

○LOW TRACTION ○MED TRACTION ○HIGH TRACTION

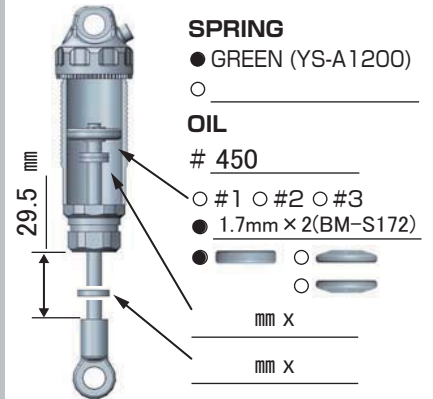
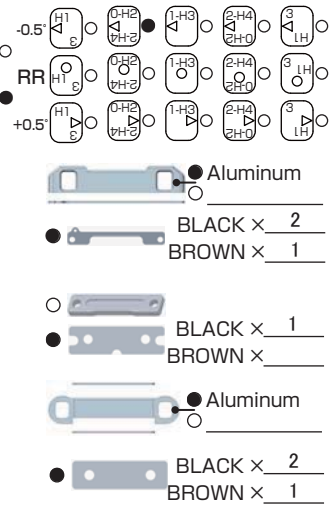
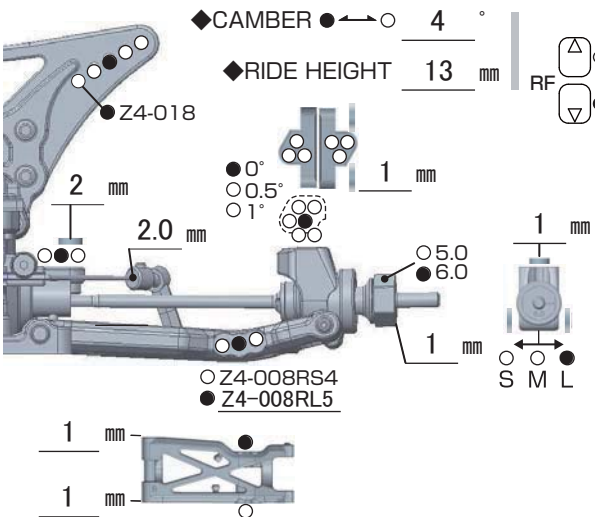
DRIVER 木村心哉

DATE

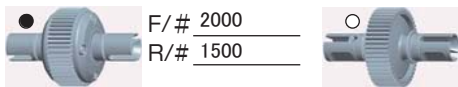
FRONT



REAR



DRIVE



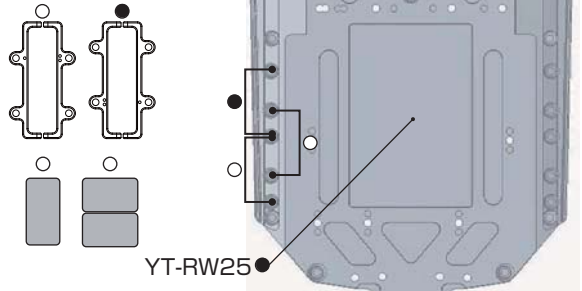
MOTOR ⇨ YOKOMO RP 5.5T Rotor \_\_\_\_\_ mm

GEAR ⇨ Spur 87 T / Pinion 20 T : 2.6

BATTERY ⇨ YOKOMO RP 5000

ESC ● YOKOMO RPX ○ YOKOMO BL-PRO

Battery placement

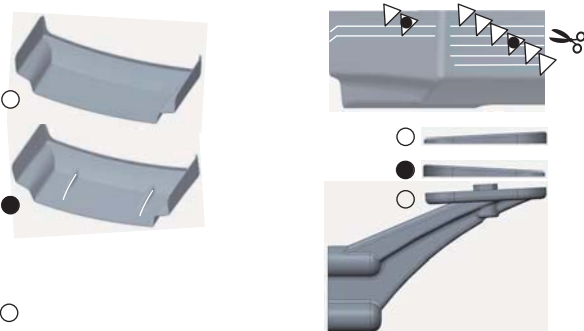


TIRE

**FRONT**  
TIRE ⇨ \_\_\_\_\_  
INSERTS ⇨ \_\_\_\_\_  
WHEELS ⇨ YOKOMO B4-821W

**REAR**  
TIRE ⇨ \_\_\_\_\_  
INSERTS ⇨ \_\_\_\_\_  
WHEELS ⇨ YOKOMO B4-827W

OTHER



COMMENT

Z4-003S ハイフレックスアッパーデッキ  
Z4-101LW  
Z4-TBS  
Z4-TSS  
Z2-415R00  
Z2-010R2  
Z2-670VP  
Z2-S2SD  
Z2-S2LD  
B4-412RH