

YZ-F1T

SETTING SHEET Ver.01

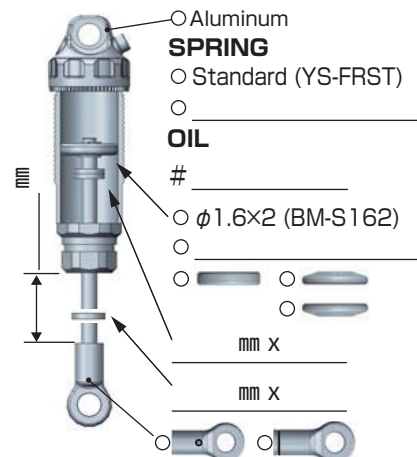
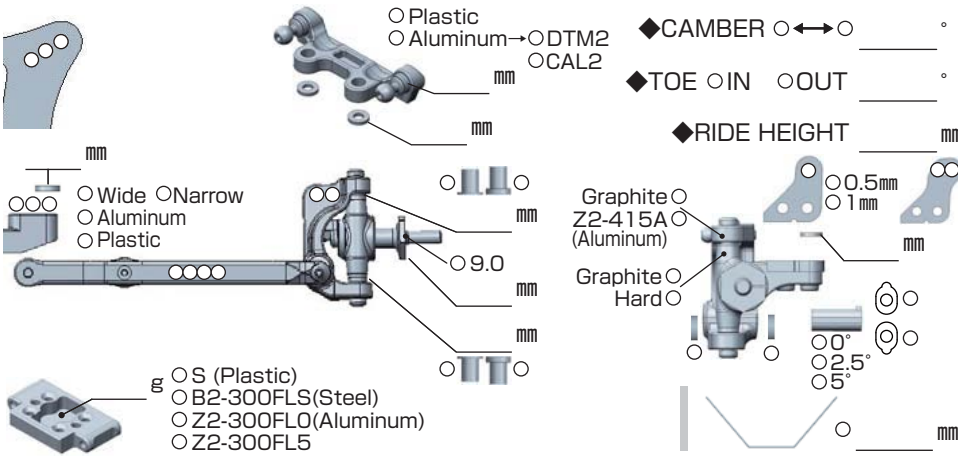
CIRCUIT

- INDOOR OUTDOOR
 DIRT ASTROTURF CARPET GLASS WOOD
 WET DRY DUSTY SMOOTH BUMPY
 HARD PACKED CLAY BLUE GROOVE _____
 LOW TRACTION MED TRACTION HIGH TRACTION

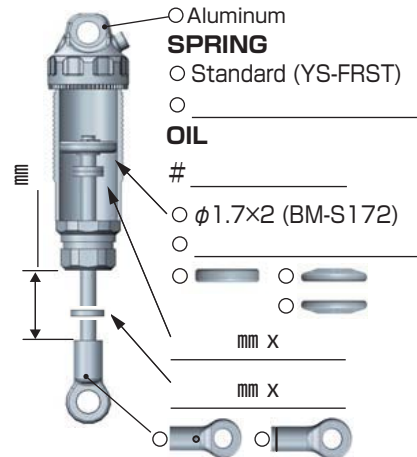
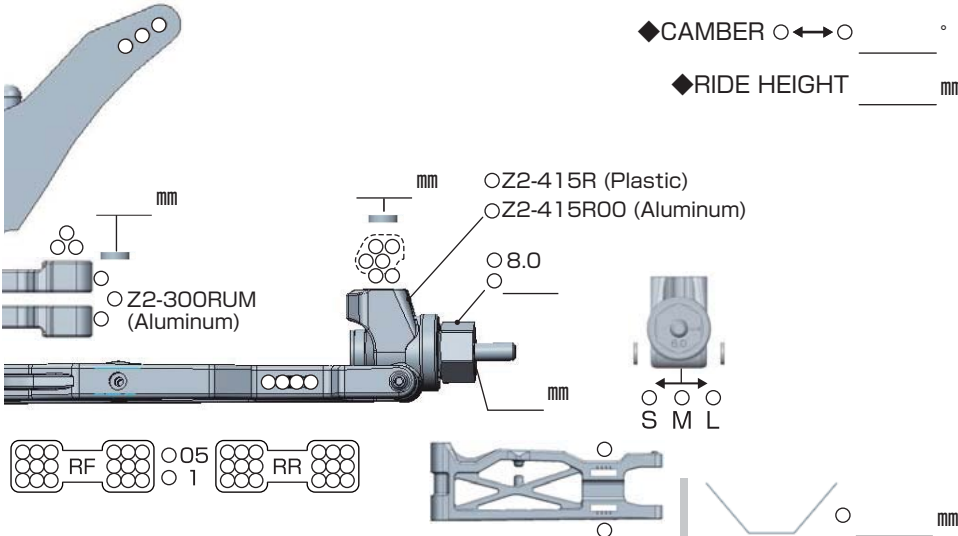
DRIVER

DATE

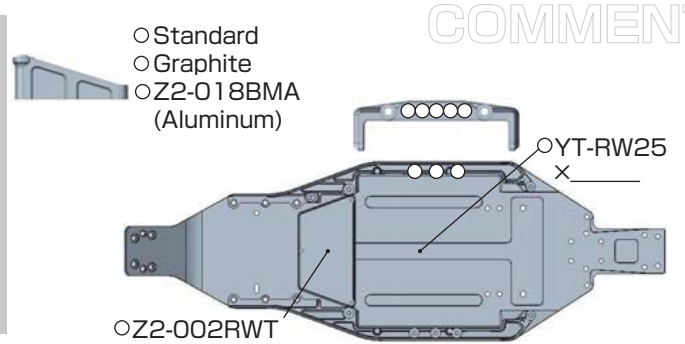
FRONT



REAR



DRIVE



COMMENT

TIRE

<p>FRONT</p> <p>TIRE <input type="checkbox"/> _____</p> <p>INSERTS <input type="checkbox"/> _____</p> <p>WHEELS <input type="checkbox"/> _____</p>	<p>REAR</p> <p>TIRE <input type="checkbox"/> _____</p> <p>INSERTS <input type="checkbox"/> _____</p> <p>WHEELS <input type="checkbox"/> _____</p>
---	--

OTHER

- F2 Body (Standard)

COMMENT