

YZ4-F2 DTM3 CAL3

SETTING SHEET Ver.01

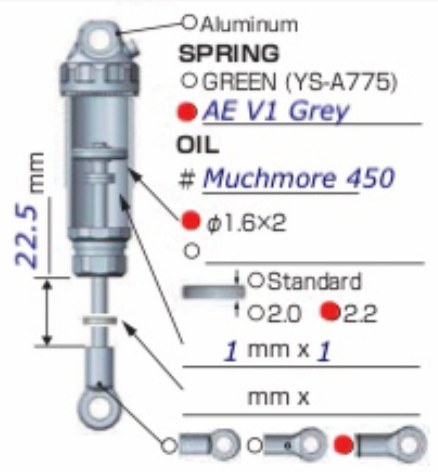
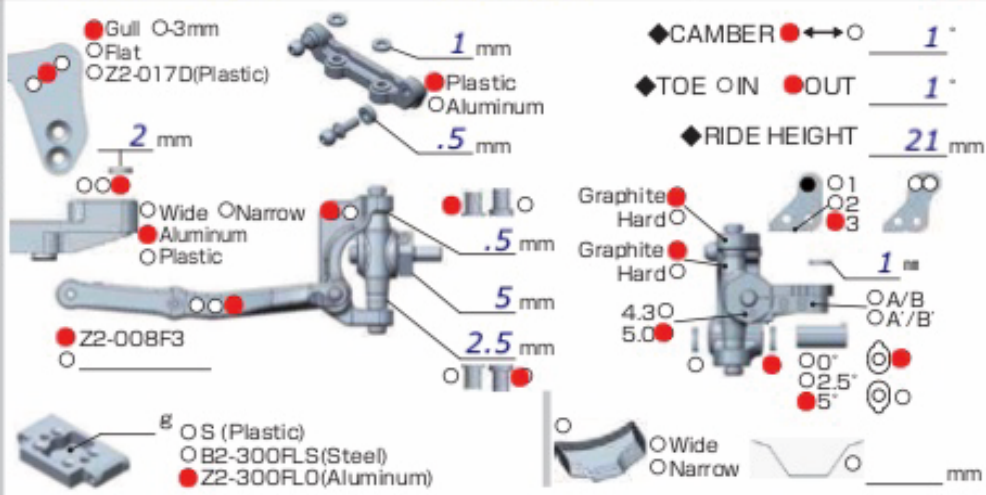
CIRCUIT Tacoma R/C Raceway

DRIVER **Harley Yoshii**

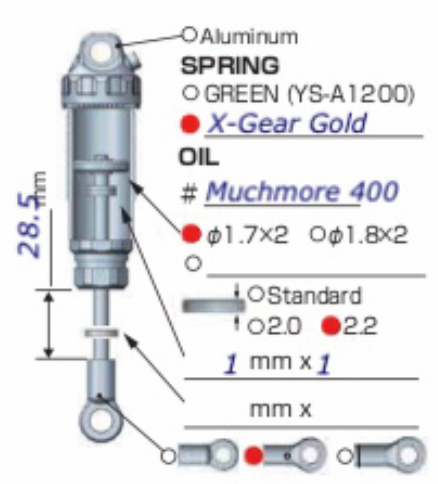
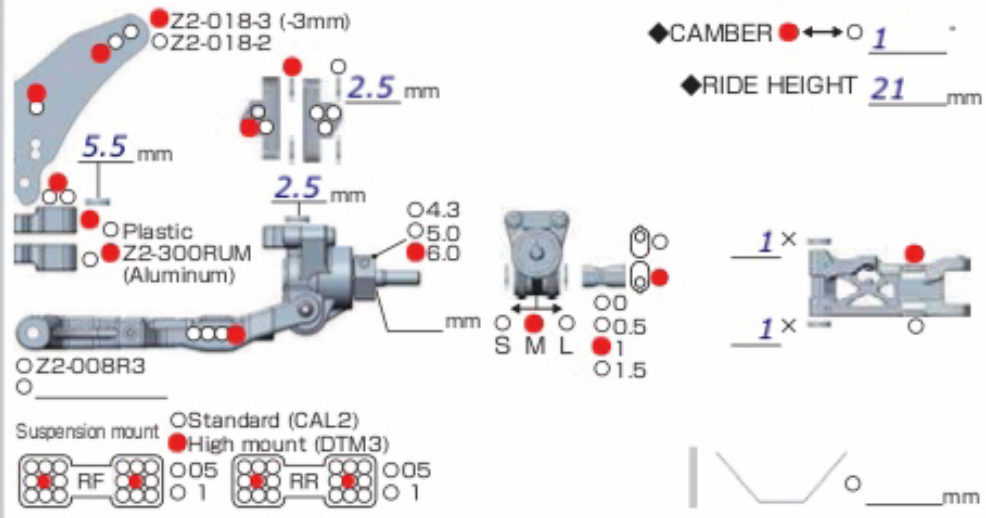
DATE **10/06/19**

- INDOOR ○ OUTDOOR
- DIRT ○ ASTROTURF ○ CARPET ○ GLASS ○ WOOD
- WET ○ DRY ○ DUSTY ● SMOOTH ○ BUMPY
- HARD PACKED ● CLAY ○ BLUE GROOVE ○
- LOW TRACTION ● MED TRACTION ● HIGH TRACTION

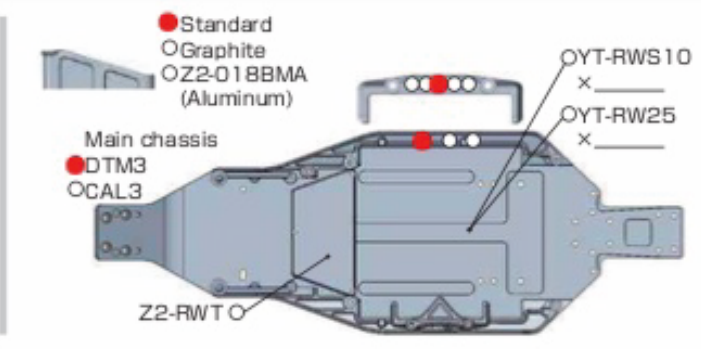
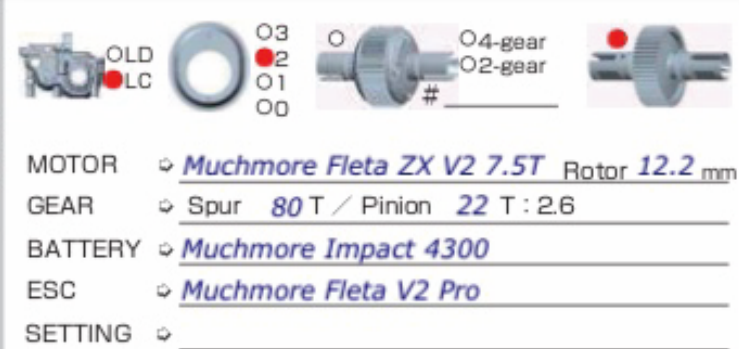
FRONT



REAR



DRIVE



TIRE

FRONT
 TIRE ○ Jconcepts Ellipse
 INSERTS ○ Stock
 WHEELS ○ Jconcepts Mono

REAR
 TIRE ○ Jconcepts Ellipse
 INSERTS ○ Stock
 WHEELS ○ Jconcepts Mono

OTHER



- Lunsford Ti screws/turnbuckles
- 34g under battery (YOKYT-RWS10)
- Flip rear hub link 180°
- Narrow front wing
- Narrow front ball stud mount

COMMENT