

# YZF2

## SETTING SHEET Ver.02

### CIRCUIT

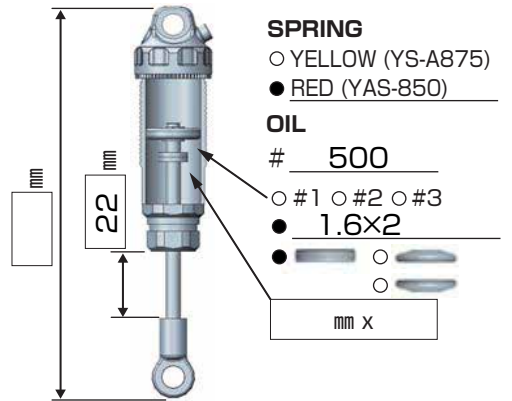
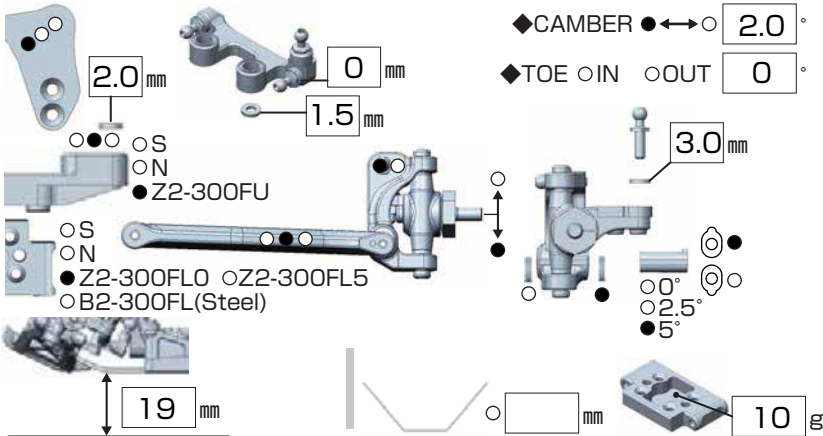
Energy RC / Guangzhou

- INDOOR  OUTDOOR
- WET  DRY  DUSTY  OTHER
- LOW TRACTION  MED TRACTION  HIGH TRACTION
- SMOOTH  BUMPY  BLUE GROOVE  ASTROTURF
- CARPET  WOOD

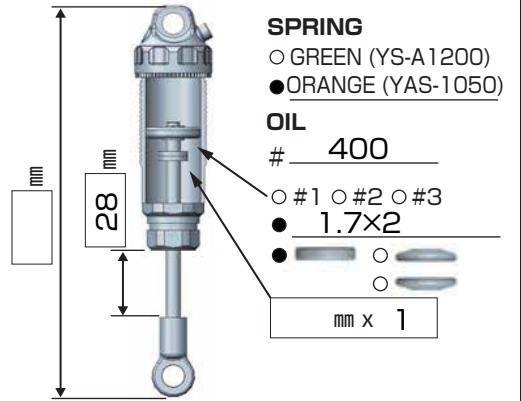
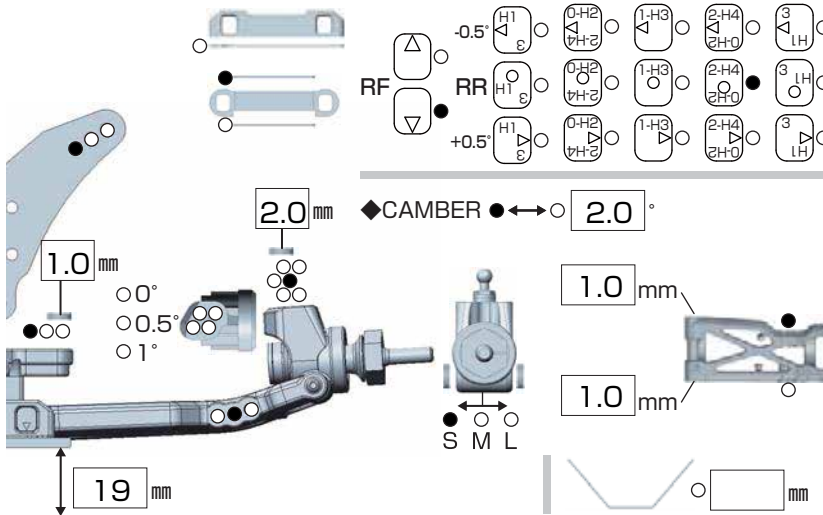
DRIVER **Shin Adachi**

DATE **2015/APR/05**

### FRONT



### REAR

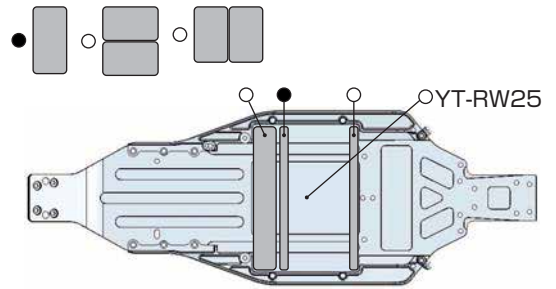


### DRIVE



- MOTOR  $\rightarrow$  Reedy 6.5T  Bonded  Sintered mm  
 GEAR  $\rightarrow$  Spur 80 T / Pinion 22 T : 2.6  
 BATTERY  $\rightarrow$  Reedy  
 ESC  Racing Performer X Series  
 SE 140R

### Battery placement

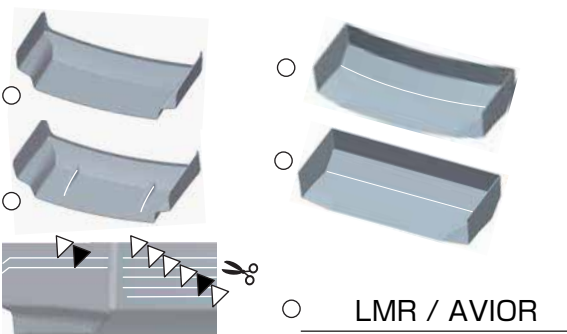


### TIRE

- FRONT**  
 TIRE  $\rightarrow$  Schumacher cut stagger  
 INSERTS  $\rightarrow$  None  
 WHEELS  $\rightarrow$  YOKOMO

- REAR**  
 TIRE  $\rightarrow$  Schumacher Mini Pin Yellow  
 INSERTS  $\rightarrow$  Schumacher Medium  
 WHEELS  $\rightarrow$  YOKOMO

### OTHER



### COMMENT

B-MAX4III Rear arm (B4-008R)  
 B-MAX2 drive shaft (B2-010R)  
 All titanium screw  
 All titanium turn buckle  
 25g front of servo