

YZ-F2

SETTING SHEET P040v1

CIRCUIT

- INDOOR OUTDOOR
- WET DRY DUSTY OTHER
- LOW TRACTION MED TRACTION HIGH TRACTION
- SMOOTH BUMPY BLUE GROOVE ASTROTURF
- CARPET WOOD

DRIVER _____

DATE _____ / _____ / _____

FRONT

CAMBER \leftrightarrow °
 TOE IN OUT °

Z2-300FU
 Z2-300FLO Z2-300FL5
 B2-300FL(Steel)

0°
 2.5°
 5°

mm

SPRING
 YELLOW (YS-A875)

OIL
 # _____
 #1 #2 #3
 mm X

REAR

RF: -0.5° 0° +0.5°
 RR: 0° 1°

CAMBER \leftrightarrow °

Shocks on front of arm
Shocks on rear if arm

S M L

mm

SPRING
 GREEN (YS-A1200)

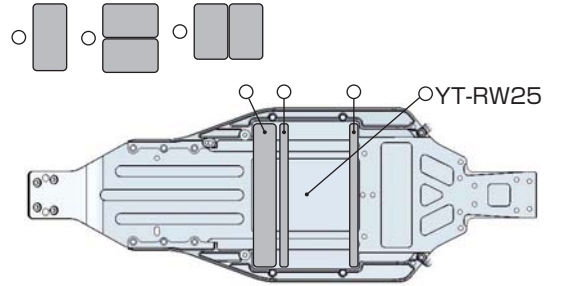
OIL
 # _____
 #1 #2 #3
 mm X

DRIVE



MOTOR Bonded Sintered _____ mm
 GEAR Spur T / Pinion T : 2.6 _____
 BATTERY _____
 ESC Racing Performer X Series _____

Battery placement

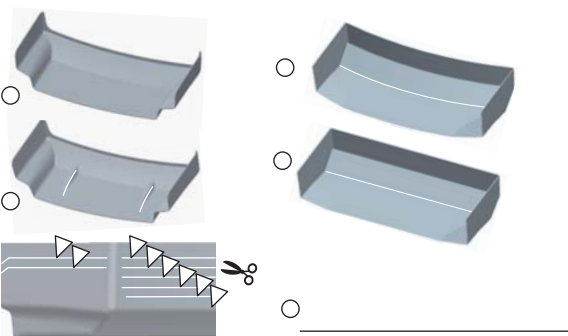


TIRE

FRONT
 TIRE _____
 INSERTS _____
 WHEELS _____

REAR
 TIRE _____
 INSERTS _____
 WHEELS _____

OTHER



COMMENT
