



P040v2
Arn0

CIRCUIT

- INDOOR OUTDOOR
- WET DRY DUSTY SMOOTH BUMPY OTHER
- LOW TRACTION MED TRACTION HIGH TRACTION
- CLAY GRASS BLUE GROOVE ASTROTURF DIRT CARPET WOOD

SETTING SHEET

DRIVER

DATE

FRONT

◆ CAMBER °

◆ TOE IN OUT °

○ Z2-300FU

○ Z2-300FL0

○ Z2-300FL5

○ B2-300FL(Steel)

○ 0°

○ 2.5°

○ 5°

SPRING

YELLOW (YS-A875)

OIL

#1 #2 #3

mm x _____

REAR

		-0.5°	H1	H2	H3	H4	LH
RF							
RR							
		+0.5°	H1	H2	H3	H4	LH

◆ CAMBER °

○ 0°

○ 0.5°

○ 1°

S M L

SPRING

GREEN (YS-A1200)

OIL

#1 #2 #3

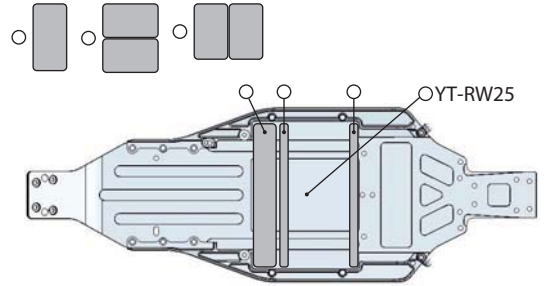
mm x _____

DRIVE



- MOTOR ◆ _____ Bonded Sintered _____ mm
- GEAR ◆ Spur T / Pinion T: 2.6 _____
- BATTERY ◆ _____
- ESC Racing Performer X Series _____
- _____

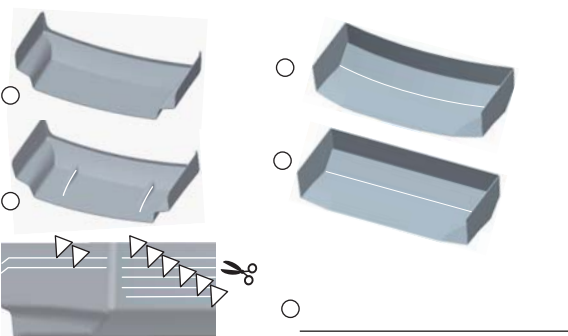
Battery placement



TIRE

- | | | | | | |
|-------|---------|---------|------|---------|---------|
| FRONT | TIRE | ◆ _____ | REAR | TIRE | ◆ _____ |
| | INSERTS | ◆ _____ | | INSERTS | ◆ _____ |
| | WHEELS | ◆ _____ | | WHEELS | ◆ _____ |

OTHER



COMMENT
