

YZ2DTM

SETTING SHEET Ver.01

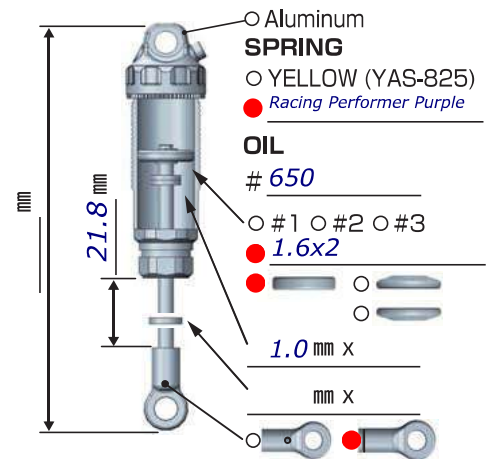
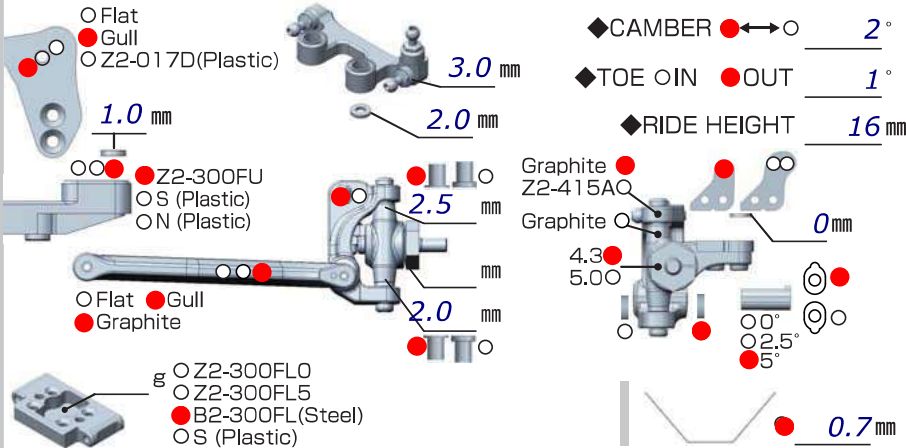
CIRCUIT *IOCC Int'l Offroad Carpet Championship*

- INDOOR ○ OUTDOOR
- WET ○ DRY ○ DUSTY ● SMOOTH ○ BUMPY ○ OTHER
- LOW TRACTION ○ MED TRACTION ● HIGH TRACTION
- CLAY ○ GRASS ○ BLUE GROOVE ○ ASTROTURF ○ DIRT
- CARPET ○ WOOD ○

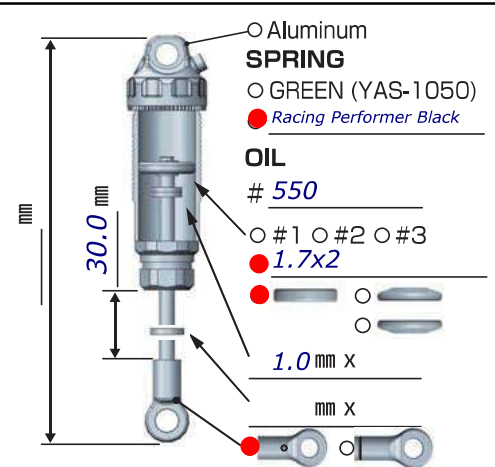
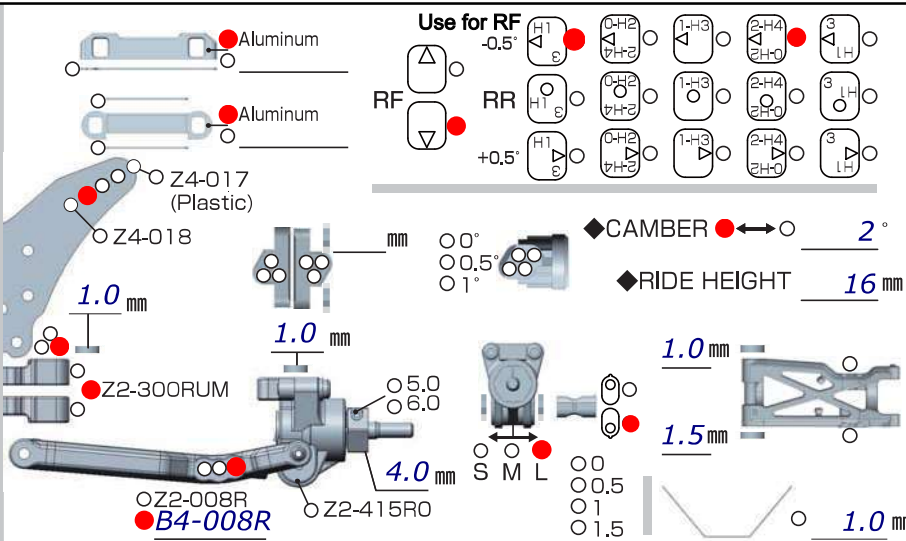
DRIVER *Ryan Maifield*

DATE *October 12 2017*

FRONT



REAR



DRIVE



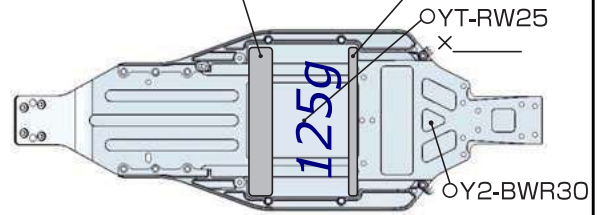
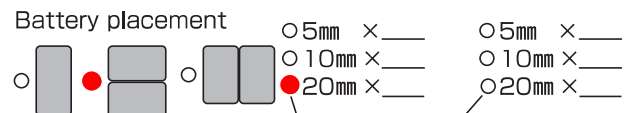
MOTOR ◆ *Orion 5.5T* Rotor mm

GEAR ◆ Spur T / Pinion 23T : 2.6

BATTERY ◆ *Orion 3800*

ESC ◆ *Orion HMX*

SETTING ◆



TIRE

FRONT

TIRE ◆ *JConcepts Swagger*

INSERTS ◆ *None*

WHEELS ◆ *JConcepts*

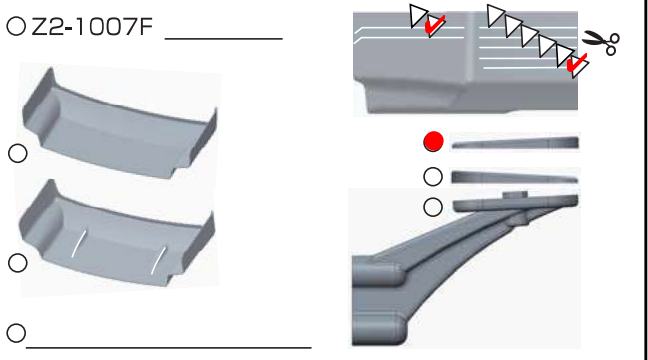
REAR

TIRE ◆ *JConcepts Pin Down*

INSERTS ◆ *Stock*

WHEELS ◆ *JConcepts*

OTHER



- Gear box 2mm up (Z2-302S1 x 2, Z2-304C-2 motor plate)
- Dual slipper (Z2-670W)
- Z2-018BMA Aluminum bulkhead brace
- Z2-107F Front wing set
- Z2-110 Wing plates
- Z2-S2ST Front gold shock shaft
- Z2-S2LT Rear gold shock shaft
- Titanium screws and turnbuckles