

YZ4E DTM2 CAL2

SETTING SHEET Ver.01

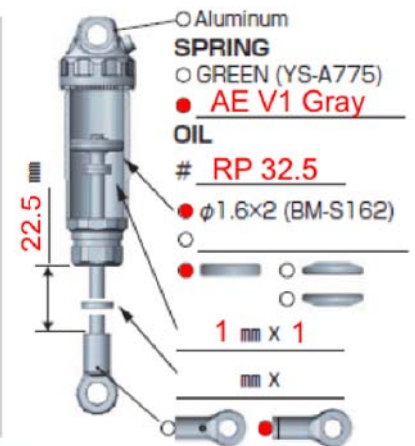
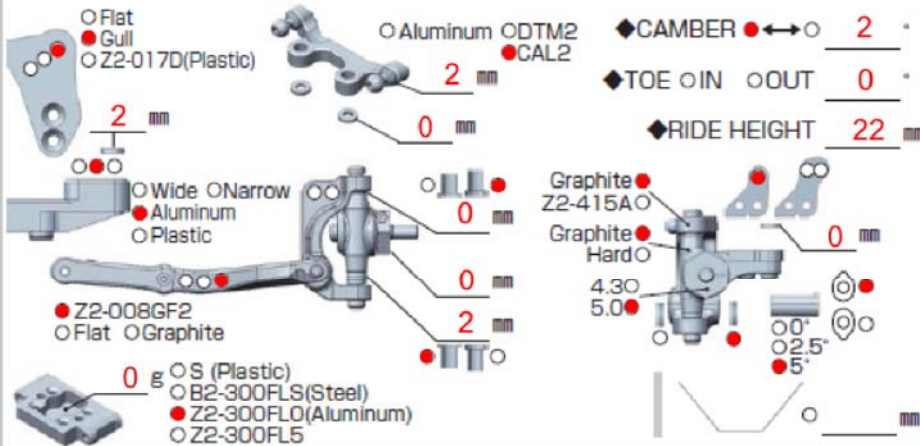
CIRCUIT **Champ stadium (Japan)**

- INDOOR OUTDOOR
- DIRT ASTROTURF CARPET GLASS WOOD
- WET DRY DUSTY SMOOTH BUMPY
- HARD PACKED CLAY BLUE GROOVE _____
- LOW TRACTION MED TRACTION HIGH TRACTION

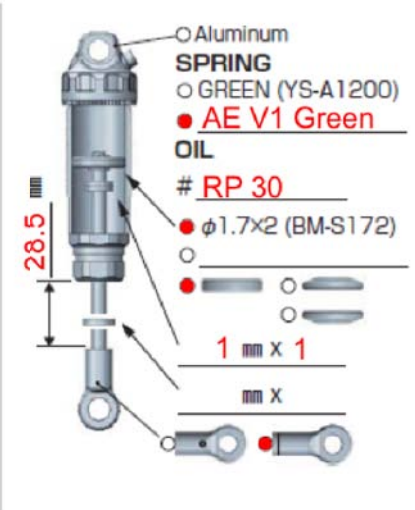
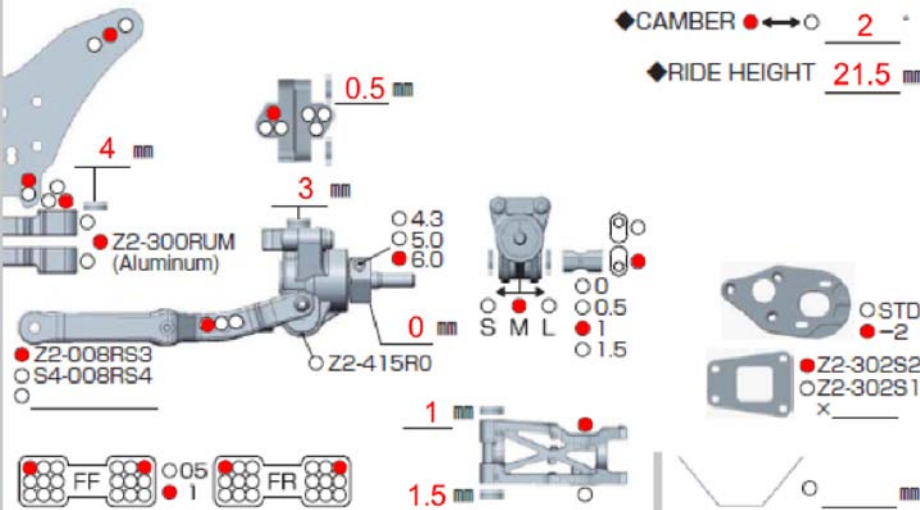
DRIVER **Yusuke Sugiura**

DATE **2019 / 4 / 21**

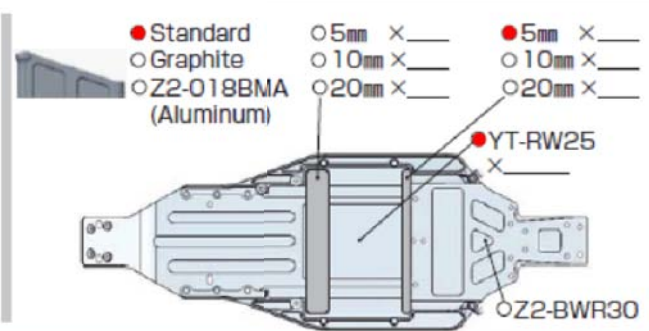
FRONT



REAR



DRIVE

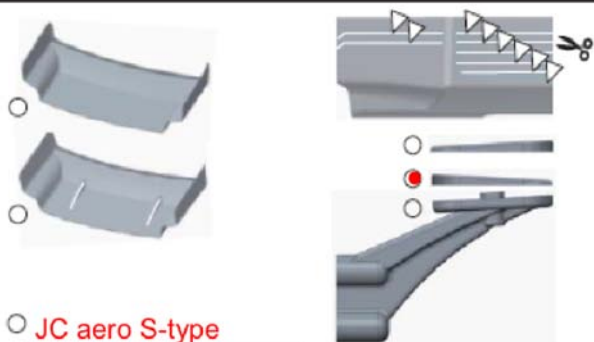


TIRE

FRONT
TIRE \rightarrow **PL Positron**
INSERTS \rightarrow **PL**
WHEELS \rightarrow **Yokomo**

REAR
TIRE \rightarrow **PL Electron**
INSERTS \rightarrow **PL**
WHEELS \rightarrow **Yokomo**

OTHER



COMMENT

- YZ-2T side guard and battery mounts
- 5 g behind battery in each corner
- 5g behind motor
- 3 dot steering carbon plate
- Low mounting front wing
- YZ2T steering rack and short bell clank used
- Narrow front link aluminum mount
- Servo : SANWA PGS-LH