

YZ4-F2

SETTING SHEET P040v1

CIRCUIT

- INDOOR OUTDOOR
- WET DRY DUSTY OTHER
- LOW TRACTION MED TRACTION HIGH TRACTION
- SMOOTH BUMPY BLUE GROOVE ASTROTURF
- CARPET WOOD

DRIVER _____

DATE / /

FRONT

CAMBER \leftrightarrow _____°
 TOE IN OUT _____°

Z2-300FU
 Z2-300FLO Z2-300FL5
 B2-300FL(Steel)

0°
 2.5°
 5°

mm

SPRING

YELLOW (YS-A875)

OIL

#1 #2 #3

mm X _____

REAR

CAMBER \leftrightarrow _____°

Shocks on front of arm

Shocks on rear if arm

S M L

mm

SPRING

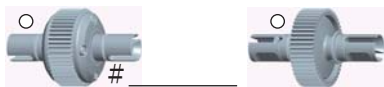
GREEN (YS-A1200)

OIL

#1 #2 #3

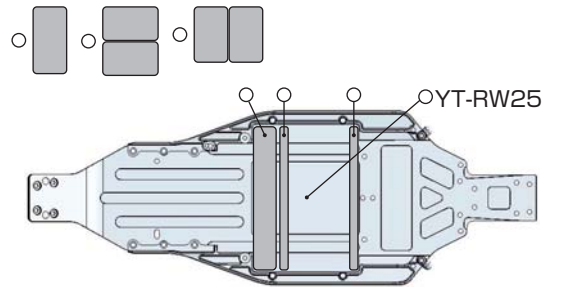
mm X _____

DRIVE



- MOTOR Bonded Sintered _____ mm
- GEAR Spur T / Pinion T : 2.6
- BATTERY _____
- ESC Racing Performer X Series
- _____

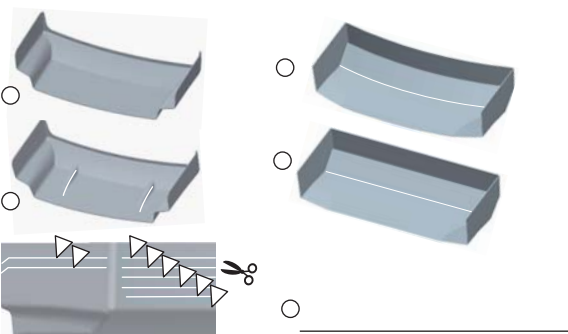
Battery placement



TIRE

- FRONT**
- TIRE _____
- INSERTS _____
- WHEELS _____
- REAR**
- TIRE _____
- INSERTS _____
- WHEELS _____

OTHER



COMMENT
