

MR-4 BX

SETTING SHEET Ver.1

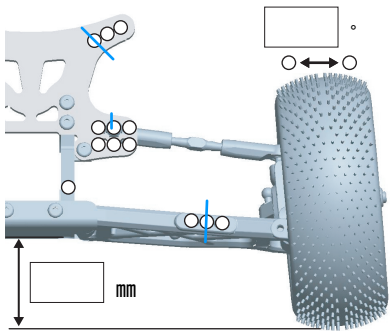
CIRCUIT

- INDOOR OUTDOOR
- WET DRY DUSTY OTHER
- LOW TRACTION MED TRACTION HIGH TRACTION
- SMOOTH BUMPY SANDY GRASS BLUE GROOVE

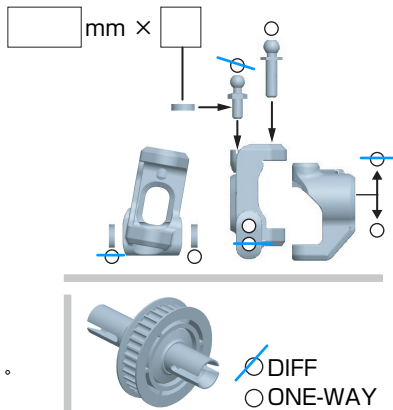
DRIVER _____

DATE / /

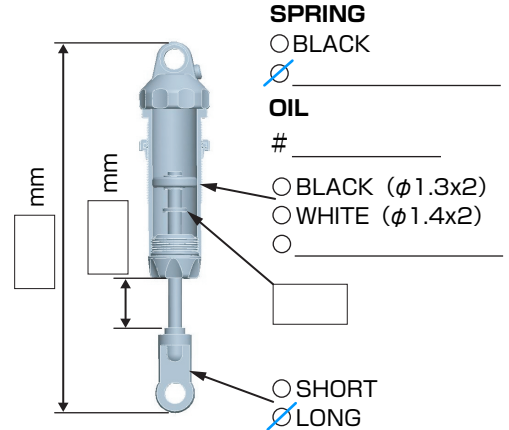
FRONT



◆ TOE-IN (+) / OUT(-) °



DIFF
 ONE-WAY



SPRING

BLACK

OIL

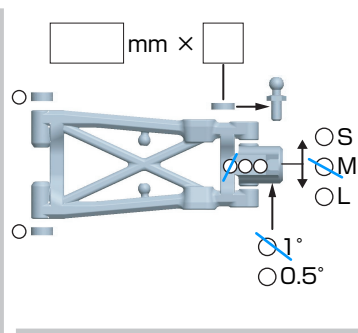
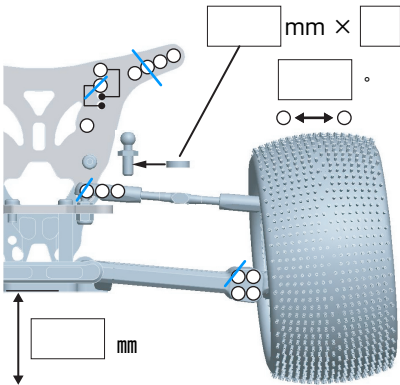
BLACK (φ1.3x2)

WHITE (φ1.4x2)

SHORT

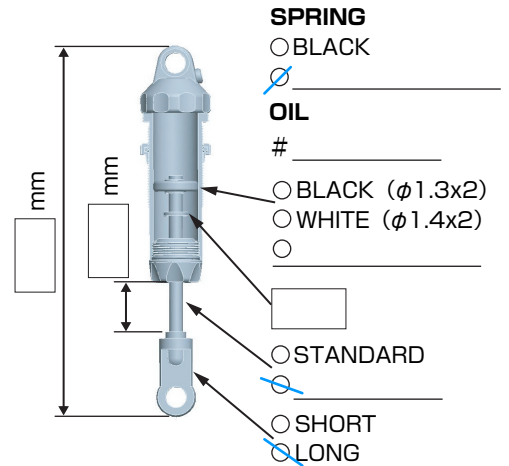
LONG

REAR



≡ (3°)

≡ (2.5°)



SPRING

BLACK

OIL

BLACK (φ1.3x2)

WHITE (φ1.4x2)

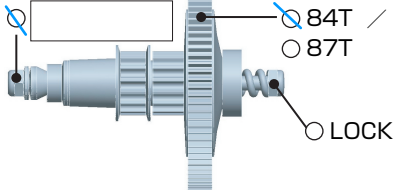
STANDARD

SHORT

LONG

DRIVE

- FREE
- LOCK



SPER

81T

84T

87T

PINION

17T

18T : 2.2

19T

_____ T

LOCK

MOTOR ⇨ _____

BRUSHES ⇨ _____

BATTERY ⇨ _____

ESC GM SX12W VFS-1 Comp

TIRE

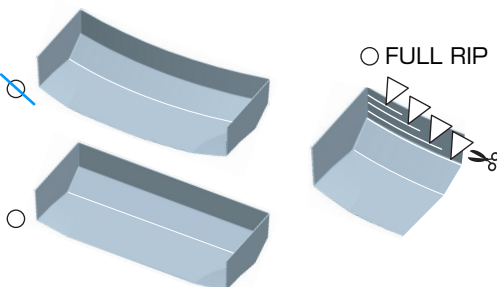
FRONT

- TIRE ⇨ _____
- INSERTS ⇨ _____
- WHEELS ⇨ _____

REAR

- TIRE ⇨ _____
- INSERTS ⇨ _____
- WHEELS ⇨ _____

OTHER



FULL RIP

COMMENT