

# MR-4 BX

## SETTING SHEET Ver.1

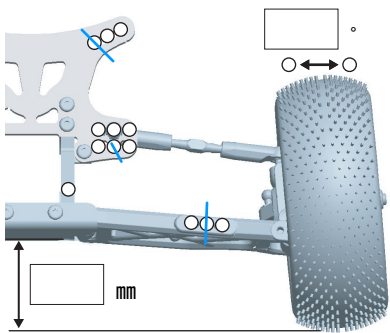
### CIRCUIT

- INDOOR  OUTDOOR
- WET  DRY  DUSTY  OTHER
- LOW TRACTION  MED TRACTION  HIGH TRACTION
- SMOOTH  BUMPY  SANDY  GRASS  BLUE GROOVE

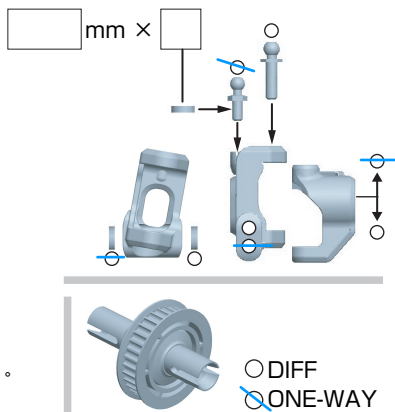
DRIVER \_\_\_\_\_

DATE      /      /

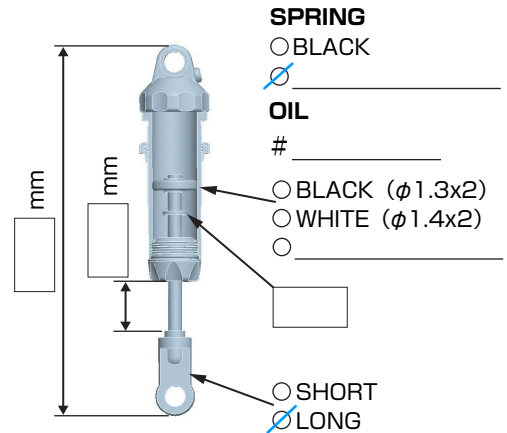
### FRONT



◆ TOE-IN (+) / OUT(-)      °



DIFF  
 ONE-WAY



#### SPRING

BLACK

\_\_\_\_\_

#### OIL

# \_\_\_\_\_

BLACK (φ1.3x2)

WHITE (φ1.4x2)

\_\_\_\_\_

\_\_\_\_\_

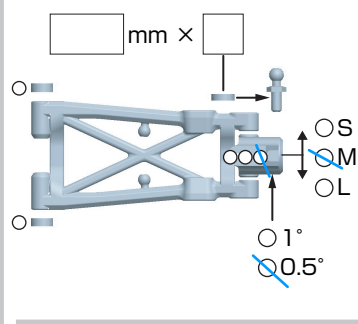
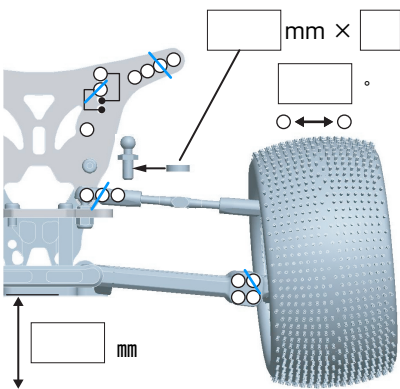
\_\_\_\_\_

\_\_\_\_\_

SHORT

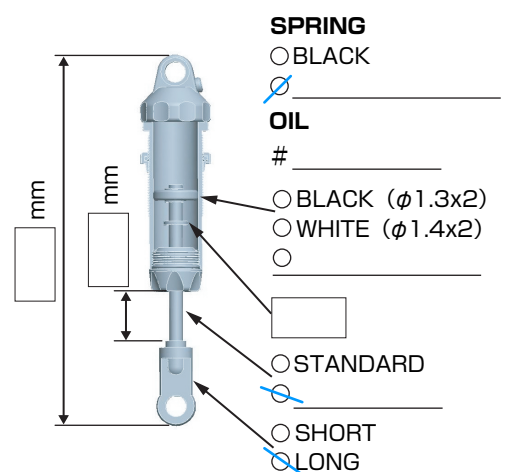
LONG

### REAR



≡ (3°)

≡ (2.5°)



#### SPRING

BLACK

\_\_\_\_\_

#### OIL

# \_\_\_\_\_

BLACK (φ1.3x2)

WHITE (φ1.4x2)

\_\_\_\_\_

\_\_\_\_\_

\_\_\_\_\_

STANDARD

\_\_\_\_\_

SHORT

LONG

### DRIVE

- FREE
- LOCK

\_\_\_\_\_

\_\_\_\_\_

#### SPER

81T

84T

87T

#### PINION

17T

18T : 2.2

19T

\_\_\_\_\_ T

LOCK

MOTOR      ⇨ \_\_\_\_\_

BRUSHES      ⇨ \_\_\_\_\_

BATTERY      ⇨ \_\_\_\_\_

ESC       GM SX12W     VFS-1 Comp

\_\_\_\_\_

### TIRE

#### FRONT

TIRE      ⇨ \_\_\_\_\_

INSERTS      ⇨ \_\_\_\_\_

WHEELS      ⇨ \_\_\_\_\_

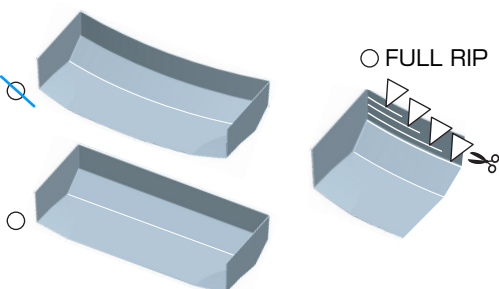
#### REAR

TIRE      ⇨ \_\_\_\_\_

INSERTS      ⇨ \_\_\_\_\_

WHEELS      ⇨ \_\_\_\_\_

### OTHER



### COMMENT