

# MR-4 BX

## SETTING SHEET Ver.1

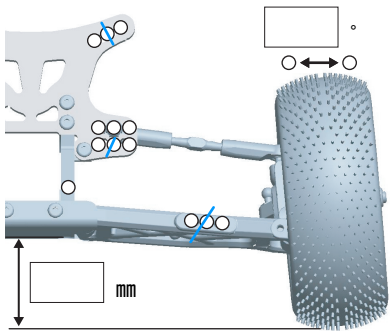
### CIRCUIT

- INDOOR  OUTDOOR
- WET  DRY  DUSTY  OTHER
- LOW TRACTION  MED TRACTION  HIGH TRACTION
- SMOOTH  BUMPY  SANDY  GRASS  BLUE GROOVE

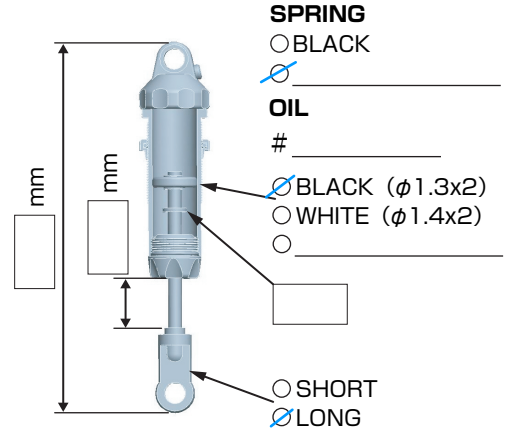
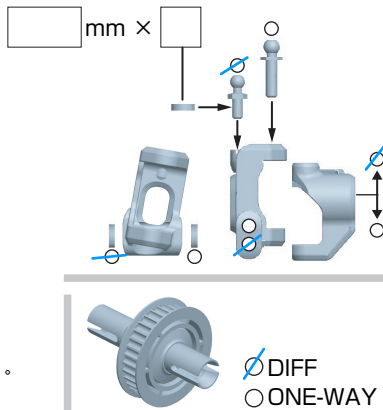
DRIVER \_\_\_\_\_

DATE      /      /

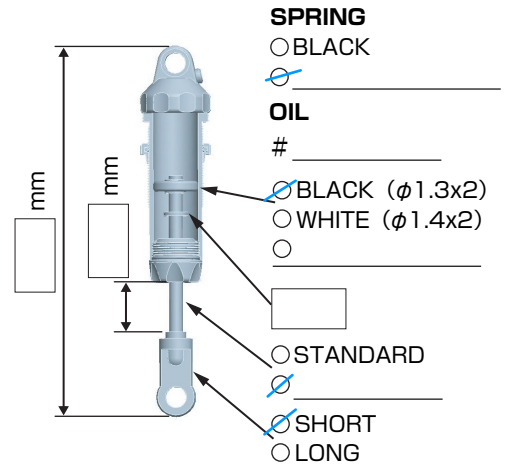
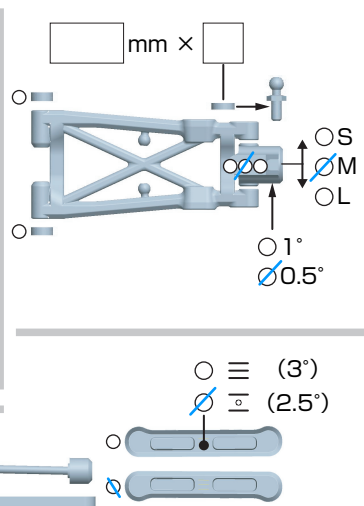
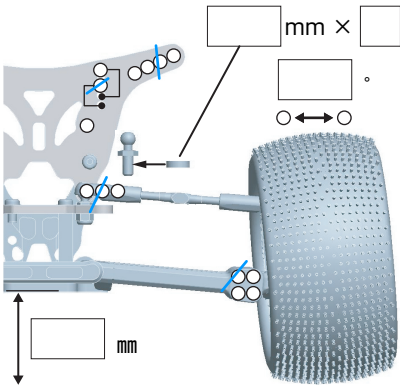
### FRONT



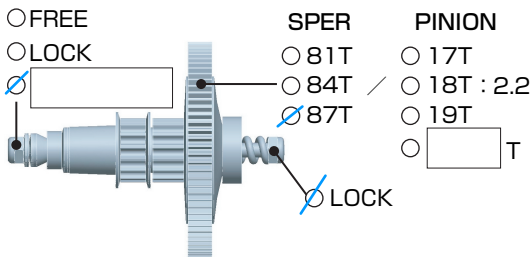
◆ TOE-IN (+) / OUT(-)      °



### REAR



### DRIVE



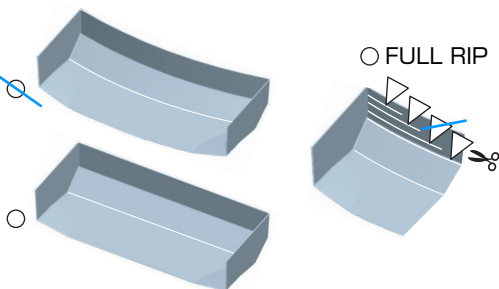
- MOTOR**      ⇨ \_\_\_\_\_
- BRUSHES**    ⇨ \_\_\_\_\_
- BATTERY**    ⇨ \_\_\_\_\_
- ESC**           GM SX12W     VFS-1 Comp  
 \_\_\_\_\_

### TIRE

- FRONT**
- TIRE      ⇨ \_\_\_\_\_
- INSERTS ⇨ \_\_\_\_\_
- WHEELS ⇨ \_\_\_\_\_

- REAR**
- TIRE      ⇨ \_\_\_\_\_
- INSERTS ⇨ \_\_\_\_\_
- WHEELS ⇨ \_\_\_\_\_

### OTHER



### COMMENT