

# MR-4 BX

## SETTING SHEET Ver.1

DRIVER **ARNAUD LEDUN**

DATE **18/11/07**

CIRCUIT **RUMILLY**

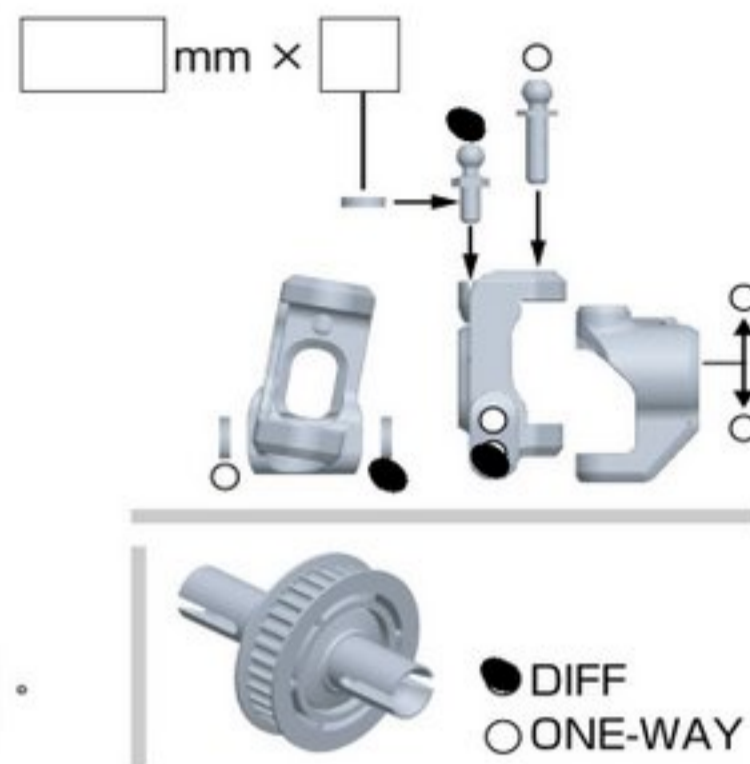
- INDOOR  OUTDOOR  Blue carpet  Red carpet
- WET  DRY  DUSTY  OTHER
- LOW TRACTION  MED TRACTION  HIGH TRACTION
- SMOOTH  BUMPY  SANDY  GRASS  BIUE GROOVE

FRONT

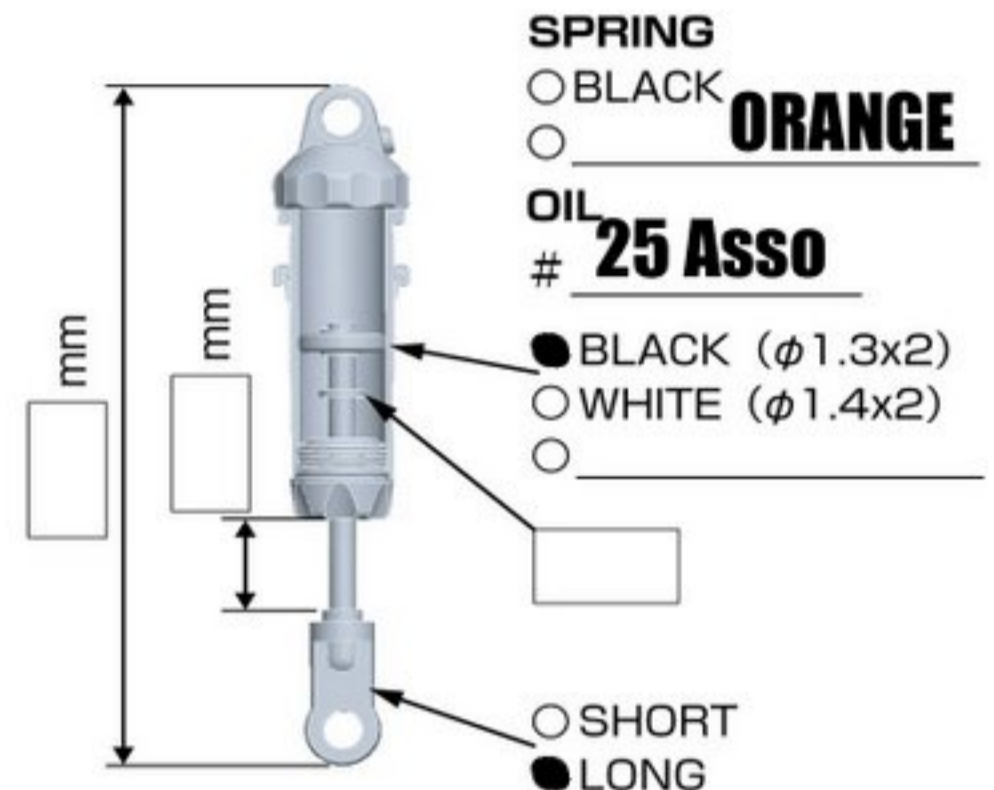


**CARDAN // au sol**

◆ TOE-IN (+) / OUT(-)

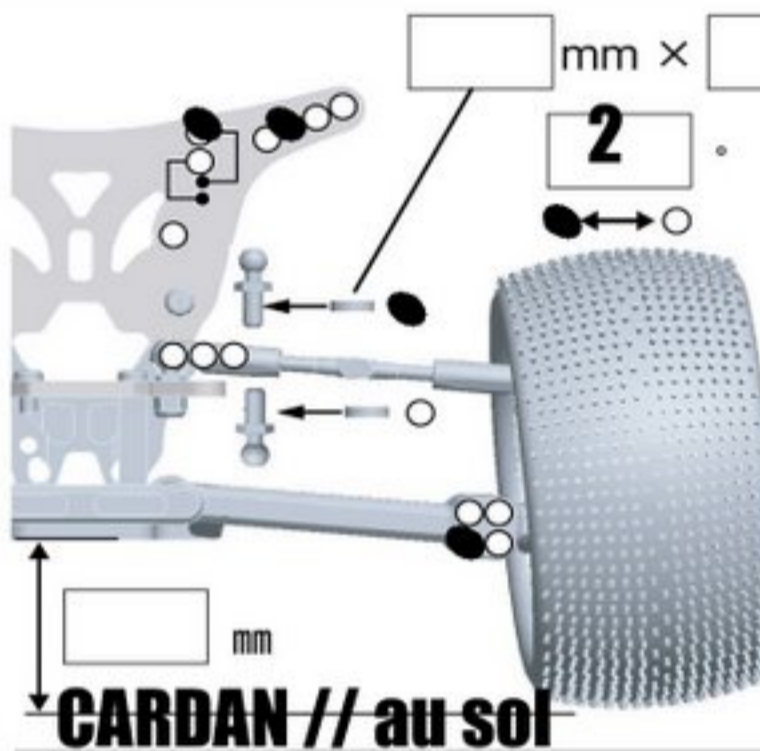


DIFF  
 ONE-WAY

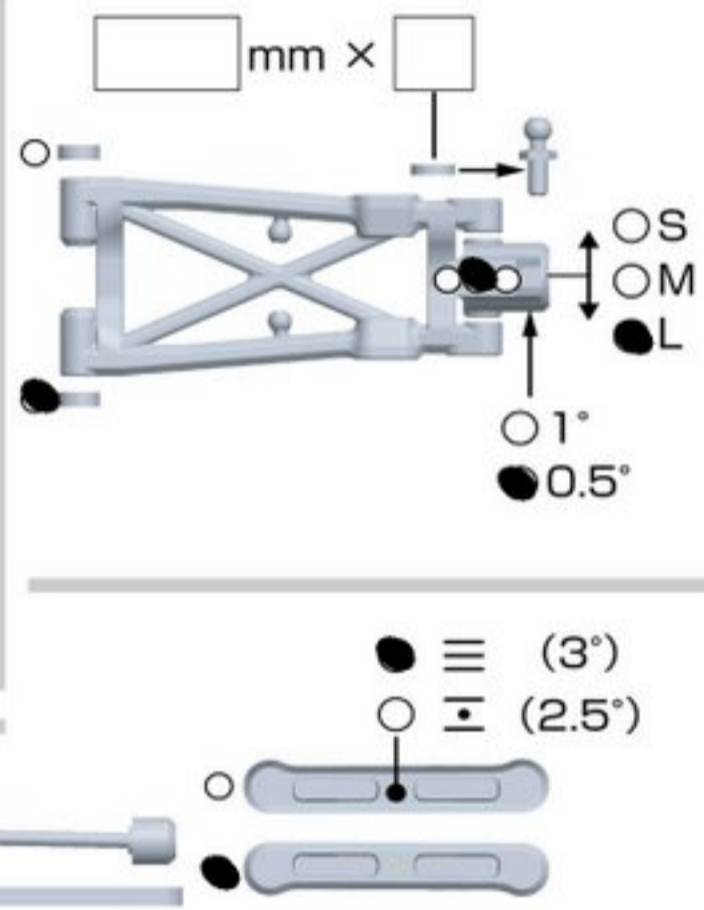


- SPRING  
 BLACK  **ORANGE**
- OIL  
# **25 Asso**
- BLACK (φ1.3x2)
  - WHITE (φ1.4x2)
  -
- SHORT  
 LONG

REAR



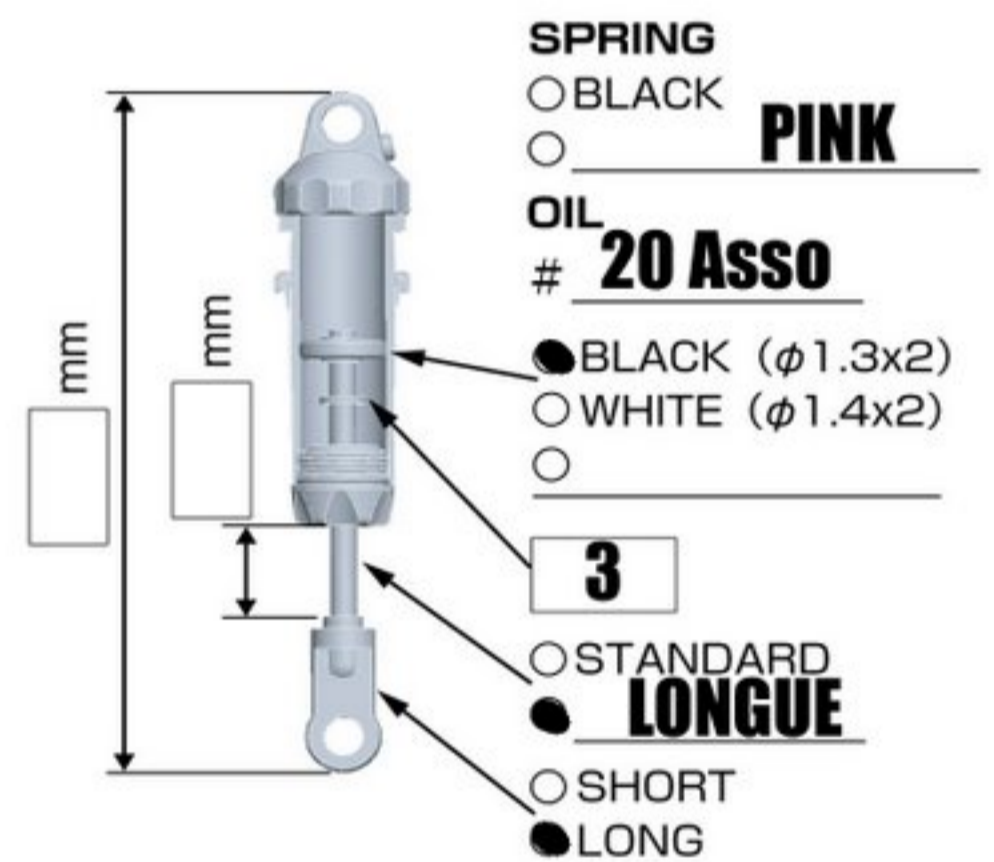
**CARDAN // au sol**



OS  
 OM  
 L

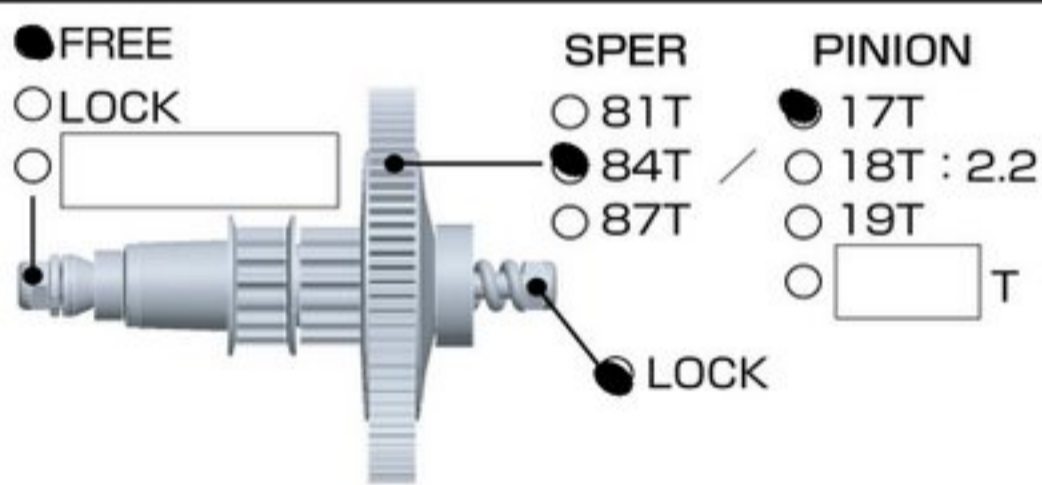
1°  
 0.5°

(3°)  
 (2.5°)



- SPRING  
 BLACK  **PINK**
- OIL  
# **20 Asso**
- BLACK (φ1.3x2)
  - WHITE (φ1.4x2)
  -
- 3**
- STANDARD  
 **LONGUE**
- SHORT  
 LONG

DRIVE



- FREE  
 LOCK
- SPER  
 81T  
 84T  
 87T
- PINION  
 17T  
 18T : 2.2  
 19T  
  T
- LOCK

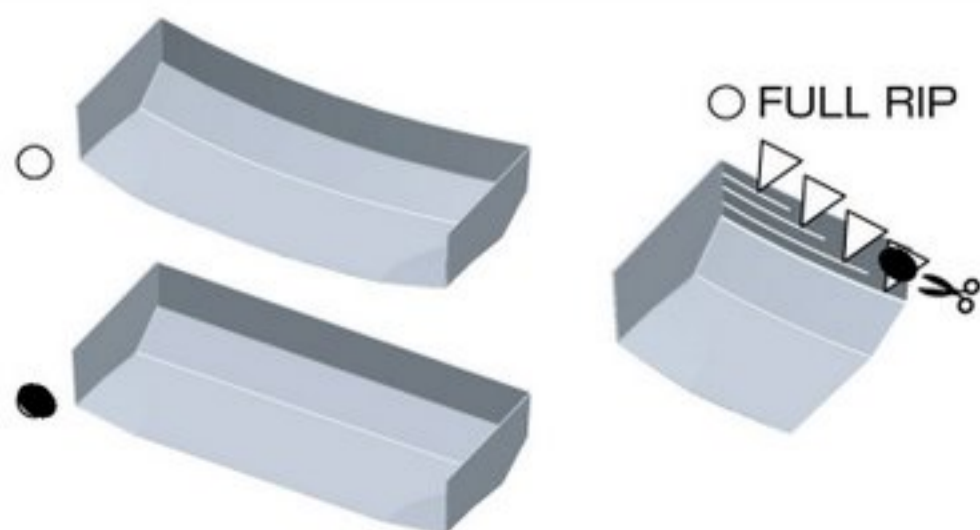
- MOTOR  **SPEED PASSION 4.5**
- ROTOR  **BONDED**
- BATTERY  **5 IB4200 CORALLY SHV**
- ESC  GM SX12W  VFS-1 Comp  
 **NOSRAM MATRIX EVO 2007**

TIRE

- FRONT
- TIRE  **MINI PIN JAUNE**
- INSERTS  **SCHUM BLEU**
- WHEELS

- REAR
- TIRE  **MINI PIN JAUNE**
- INSERTS  **SCHUM BLEU**
- WHEELS

OTHER



COMMENT

**COUPER UNE RANGEE DE PICOT EXTERIEUR A L AVANT  
AMORTISSEURS A L'ARRIERE DU TRIANGLE  
TRIANGLES PLASTIQUES**