

MR-4 BX W

SETTING SHEET Ver.01

CIRCUIT

YATABE ARENA

- INDOOR ○ OUTDOOR
- WET ○ DRY ○ DUSTY ○ OTHER
- LOW TRACTION ● MED TRACTION ○ HIGH TRACTION
- SMOOTH ○ BUMPY ○ SANDY ○ GRASS ○ BIUE GROOVE

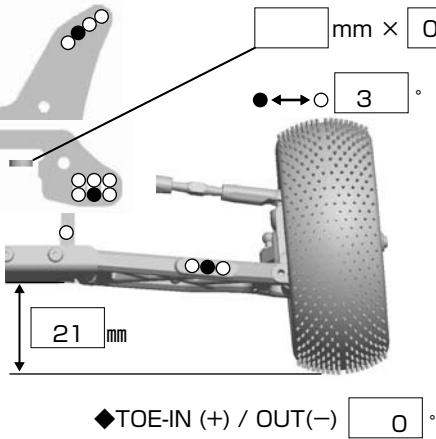
DRIVER

MASAMI

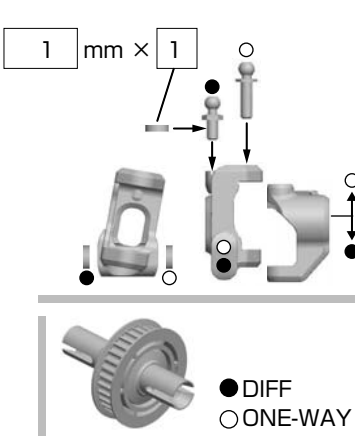
DATE

08/03/10

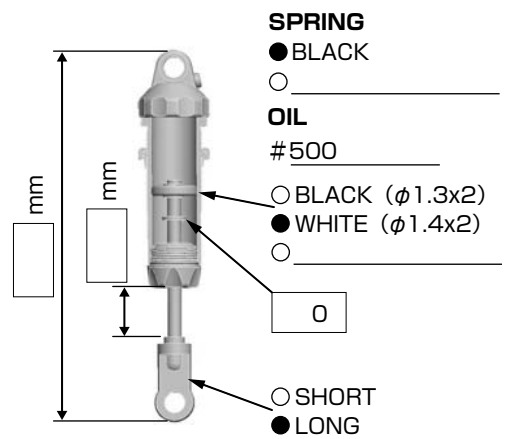
FRONT



◆ TOE-IN (+) / OUT(-) 0°



- DIFF
- ONE-WAY



SPRING

- BLACK
- _____

OIL

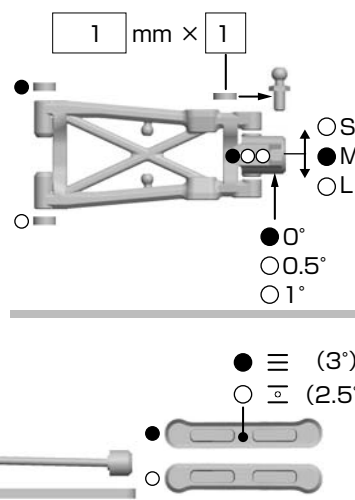
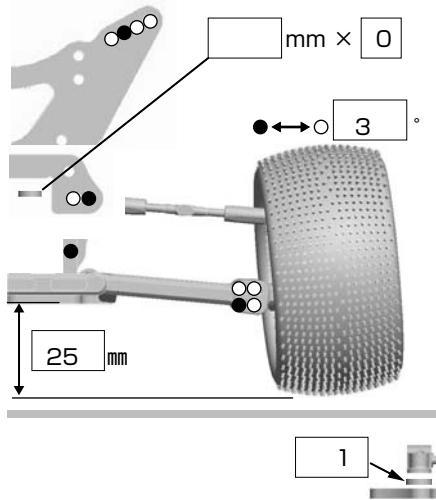
#500

- BLACK (φ1.3x2)
- WHITE (φ1.4x2)
- _____

0

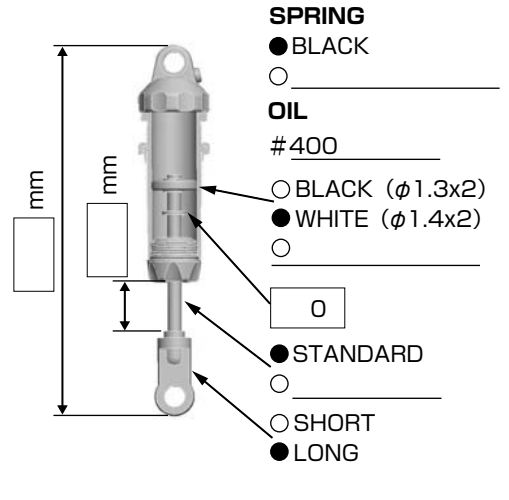
- SHORT
- LONG

REAR



- OS
- M
- OL
- 0°
- 0.5°
- 1°

- ≡ (3°)
- ≡ (2.5°)



SPRING

- BLACK
- _____

OIL

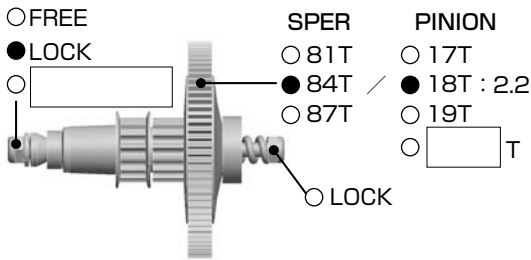
#400

- BLACK (φ1.3x2)
- WHITE (φ1.4x2)
- _____

0

- STANDARD
- _____
- SHORT
- LONG

DRIVE



- FREE
- LOCK

SPER

- 81T
- 84T
- 87T

PINION

- 17T
- 18T : 2.2
- 19T
- _____ T

LOCK

MOTOR ⇨ WORLD MAX 10T

BRUSHES ⇨ YM-MSB

BATTERY ⇨ FLASH IB4600

ESC ○ GM SX12W ● VFS-1 Comp

TIRE

FRONT

TIRE ⇨ Panther T-725C

INSERTS ⇨ _____

WHEELS ⇨ B44 FRONT

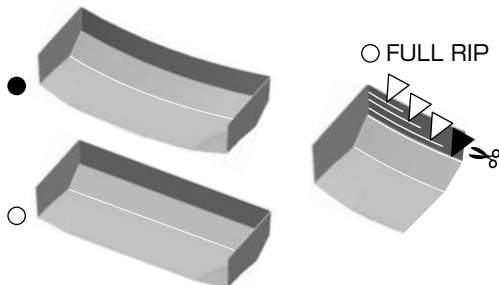
REAR

TIRE ⇨ Panther T-755C

INSERTS ⇨ _____

WHEELS ⇨ PROLINE

OTHER



○ FULL RIP

COMMENT

- ・ ST ブロックボール部 2mm 上げ
- ・ リヤスタビφ1.2
- ・ リヤダストカバー