

# MR-4 BX

## SETTING SHEET Ver.1

CIRCUIT

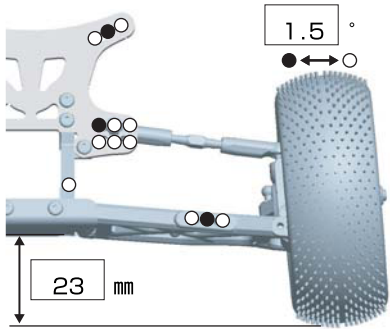
Yatabe Arena

- INDOOR ○ OUTDOOR
- WET ● DRY ○ DUSTY ○ OTHER
- LOW TRACTION ● MED TRACTION ○ HIGH TRACTION
- SMOOTH ○ BUMPY ○ SANDY ○ GRASS ○ BLUE GROOVE

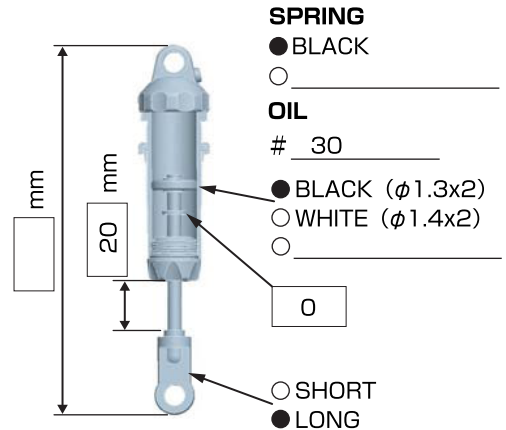
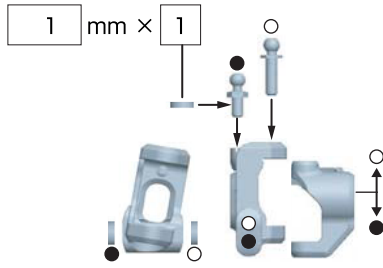
DRIVER Hlroshi Suzuki

DATE 2006 /5/23

FRONT



◆ TOE-IN (+) / OUT(-) 0 °



SPRING

● BLACK

○ \_\_\_\_\_

OIL

# 30

● BLACK (φ1.3x2)

○ WHITE (φ1.4x2)

○ \_\_\_\_\_

○ \_\_\_\_\_

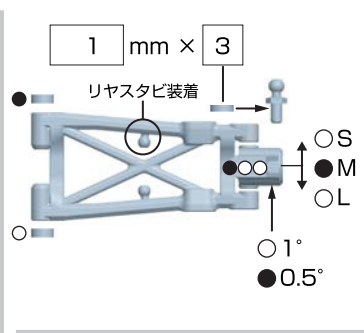
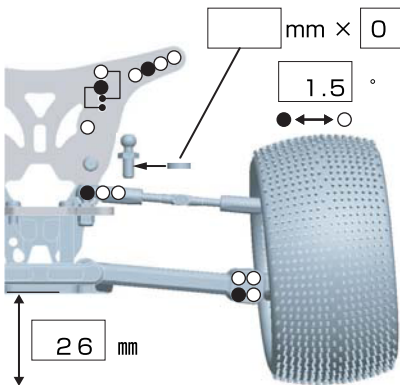
○ \_\_\_\_\_

○ \_\_\_\_\_

○ SHORT

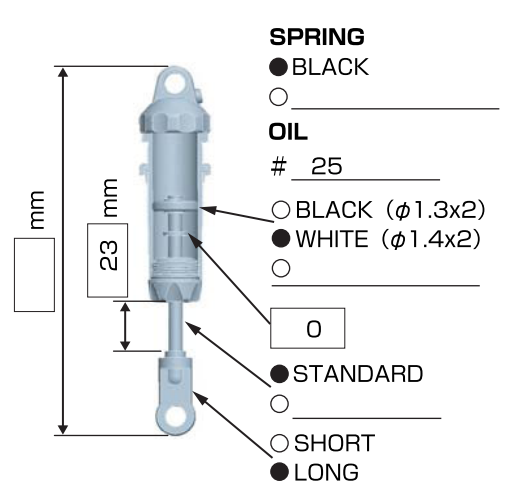
● LONG

REAR



● ≡ (3°)

○ ≡ (2.5°)



SPRING

● BLACK

○ \_\_\_\_\_

OIL

# 25

○ BLACK (φ1.3x2)

● WHITE (φ1.4x2)

○ \_\_\_\_\_

○ \_\_\_\_\_

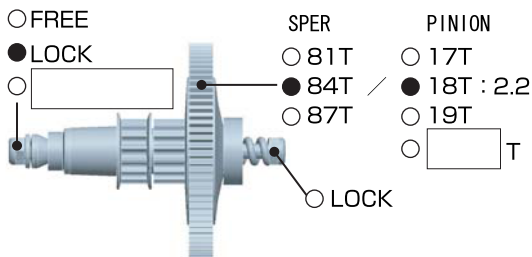
○ \_\_\_\_\_

○ \_\_\_\_\_

○ SHORT

● LONG

DRIVE



MOTOR ⇨ ZERO T6 10x2

BRUSHES ⇨ REEDY PLUTONIUM

BATTERY ⇨ YOKOMO

ESC ○ GM SX12W ● VFS-1 Comp

○ \_\_\_\_\_

TIRE

FRONT

TIRE ⇨ HOLE SHOT M3

INSERTS ⇨ STANDARD

WHEELS ⇨ STANDARD

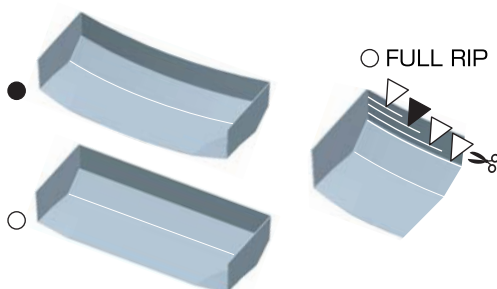
REAR

TIRE ⇨ HOLE SHOT R3

INSERTS ⇨ ZC-T16M

WHEELS ⇨ STANDARD

OTHER



COMMENT

Install a rear anti-roll bar.  
 Installation Instructions ▶ Attach the sway bar holders using the rear screws used to hold down the rear bulkhead plate. Replace these 2 rear screws with M3x12 screws, and attach the Anti-Roll Bar Holders (SD-203). Use the front balls located on the lower arms.  
 Use the gold sway bar included in the Anti-Roll Bar Wire Set (SD-412), and attach Anti-Roll Bar Balls (ZC-206A) to each end of the bar.  
 Each anti-roll bar tie-rod should measure 32mm (use the BX short ball cups, screwed in completely).

For increased stability, try using 1° rear hub carriers.