

MR-4 BX

SETTING SHEET Ver.1

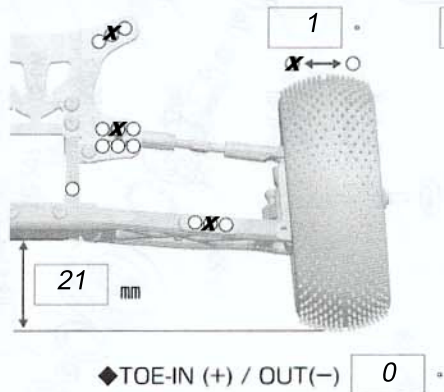
DRIVER *Bastien Garcia*

DATE *2006 / 06 / 04*

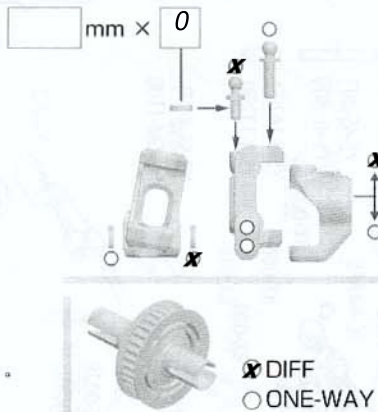
CIRCUIT *French Championship - Rd3 - Pau*

- INDOOR OUTDOOR
 WET DRY DUSTY OTHER
 LOW TRACTION MED TRACTION HIGH TRACTION
 SMOOTH BUMPY SANDY GRASS BLUE GROOVE

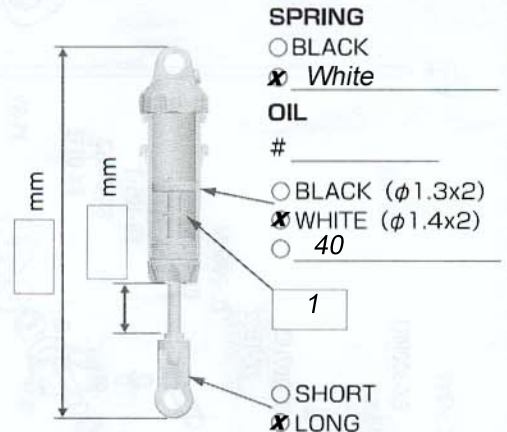
FRONT



◆ TOE-IN (+) / OUT(-)



DIFF
 ONE-WAY



SPRING

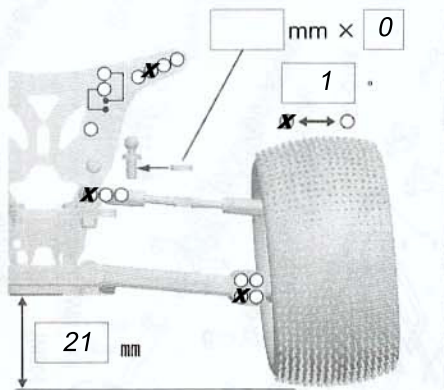
BLACK
 White

OIL

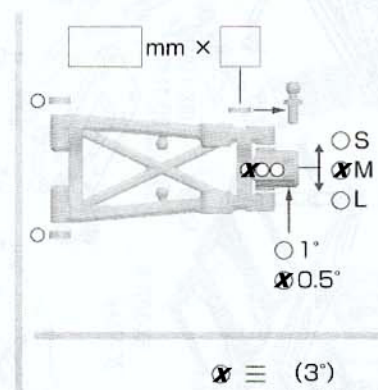
BLACK (φ1.3x2)
 WHITE (φ1.4x2)
 40

SHORT
 LONG

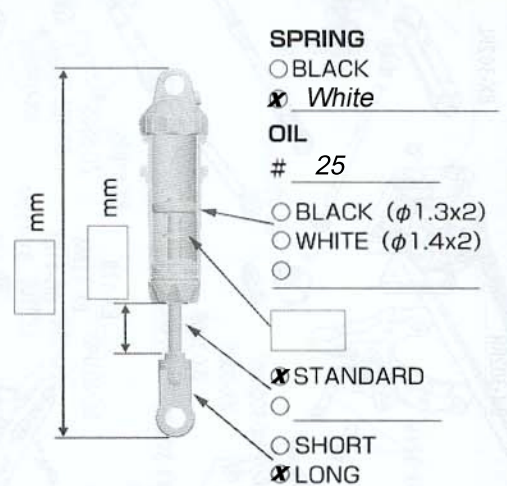
REAR



21 mm



≡ (3°)
 ▬ (2.5°)



SPRING

BLACK
 White

OIL

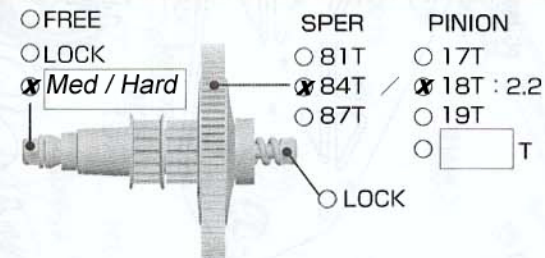
25

BLACK (φ1.3x2)
 WHITE (φ1.4x2)

STANDARD

SHORT
 LONG

DRIVE



MOTOR ⇨ *Reedy Titanium 10x2*

BRUSHES ⇨ *777 Plutonium*

BATTERY ⇨ *Reedy GP 3700*

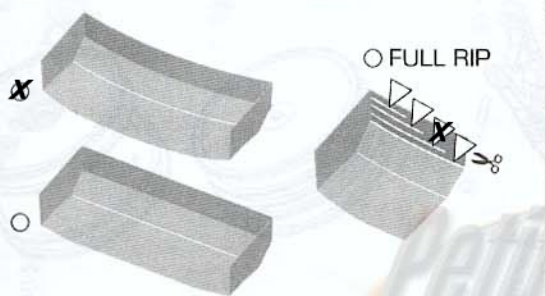
ESC GM SX12W VFS-1 Comp

TIRE

FRONT
 TIRE ⇨ *Stud Losi*
 INSERTS ⇨ *Stock*
 WHEELS ⇨ *Yokomo / Team Losi*

REAR
 TIRE ⇨ *Stud Losi*
 INSERTS ⇨ *Stock*
 WHEELS ⇨ *Yokomo / Team Losi*

OTHER



COMMENT

mini-zone.com

