

# B-MAX4

EDITABLE SETTING SHEET Ver.01

CIRCUIT Tomelilla [www.tmkraceway.se](http://www.tmkraceway.se)

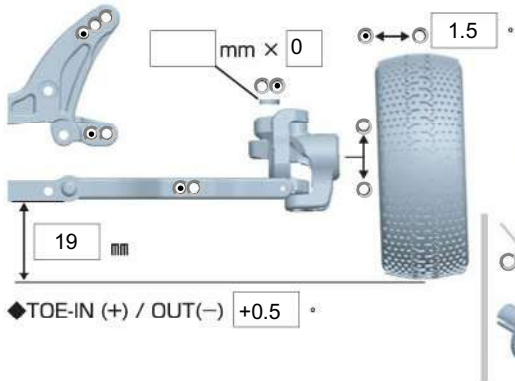


- INDOOR  OUTDOOR
- WET  DRY  DUSTY  OTHER
- LOW TRACTION  MED TRACTION  HIGH TRACTION
- SMOOTH  BUMPY  SANDY  GRASS  BIUE GROOVE

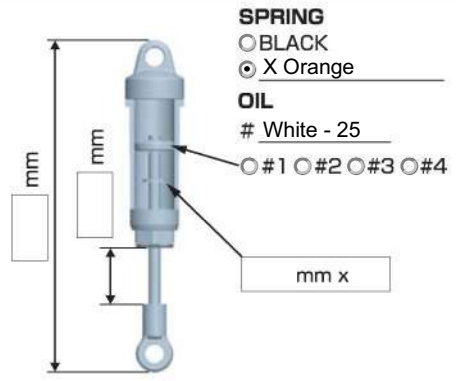
DRIVER Otto Ausfelt

DATE 2010 / 10 / 31

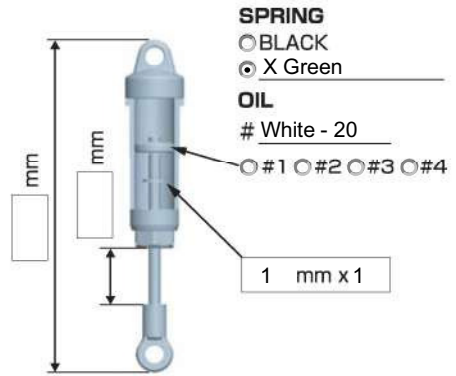
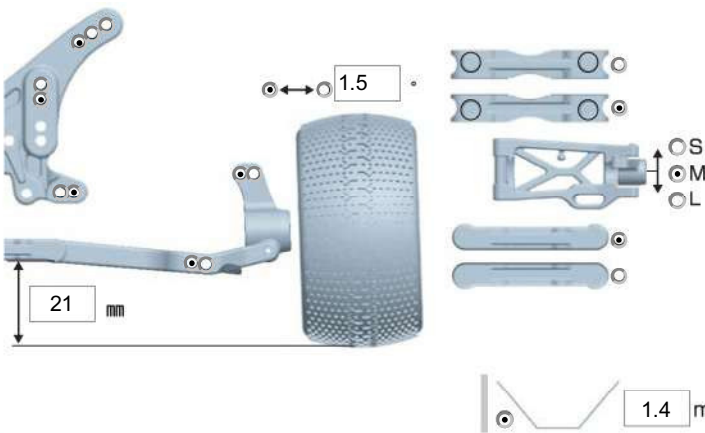
## FRONT



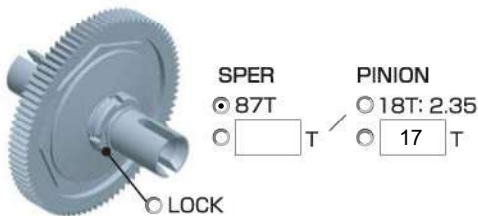
- DIFF
- ONE-WAY



## REAR



## DRIVE



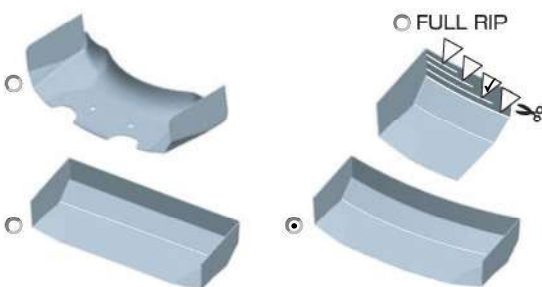
- MOTOR  Speed Passion 6.5  Bonded mm
- BRUSHES  Sintered
- BATTERY
- ESC  MATRIX ISTC  VFS-1 CompIII
- Speed Passion GT2

## TIRE

- FRONT**
- TIRE  PL Caliber M3
- INSERTS  Core/AKA
- WHEELS  LOSI

- REAR**
- TIRE  PL Caliber M3
- INSERTS  Stock/AKA
- WHEELS  LOSI

## OTHER



## COMMENT

Front wishbone mount upside down to decrease kickup/caster

Rear 0.5 hubs with text towards front (-2.5 toe)

[www.procar.se](http://www.procar.se) [www.tmkraceway.se](http://www.tmkraceway.se)