

# B-MAX4

## SETTING SHEET Ver.01

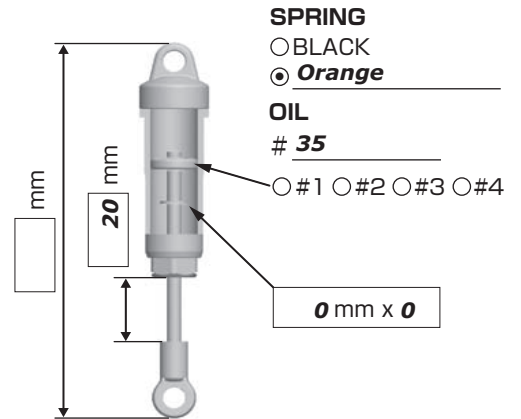
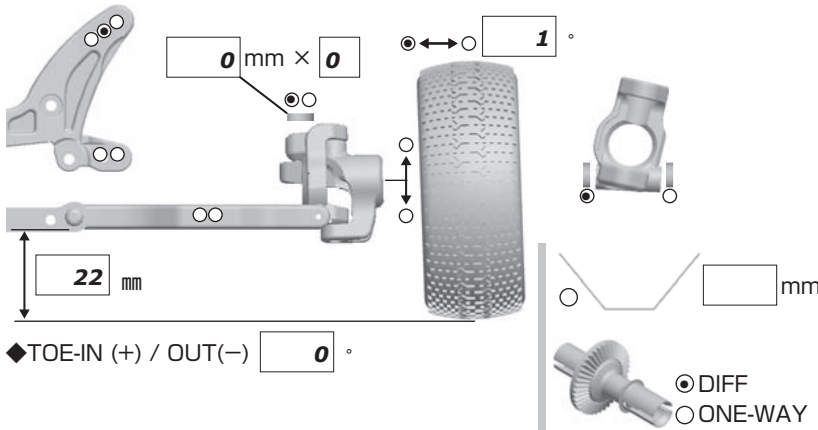
CIRCUIT La Ferté Gauché

- INDOOR  OUTDOOR  
 WET  DRY  DUSTY  OTHER  
 LOW TRACTION  MED TRACTION  HIGH TRACTION  
 SMOOTH  BUMPY  SANDY  GRASS  BLUE GROOVE

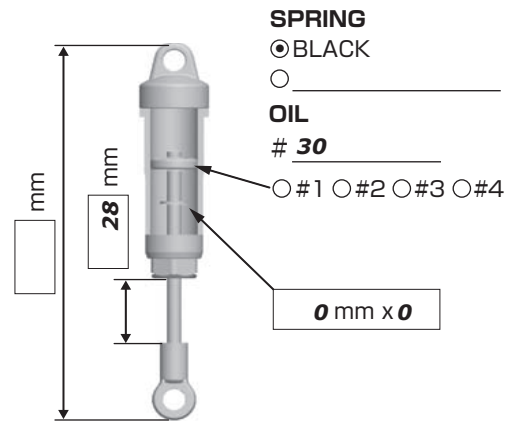
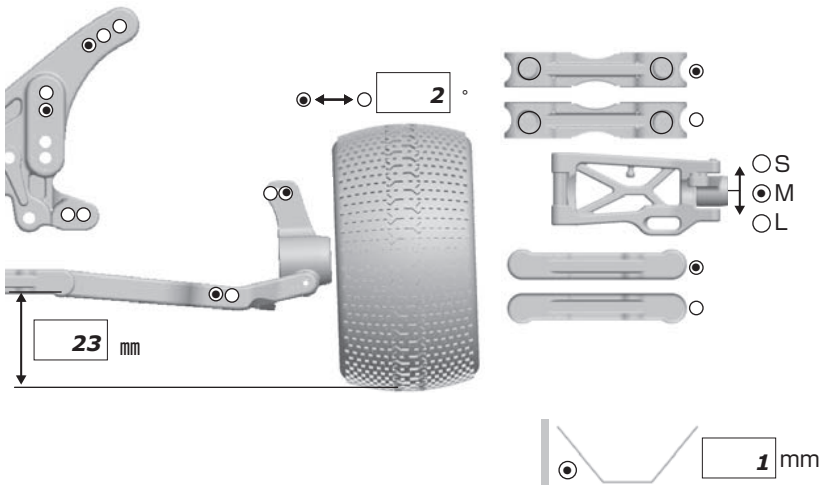
DRIVER Cyril Baldini

DATE Nov 2009

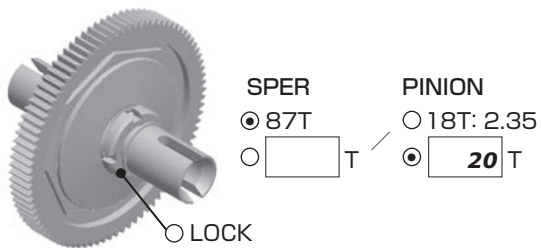
FRONT



REAR



DRIVE



- MOTOR  TPR 6.5  Bonded  Sintered mm  
 BRUSHES   
 BATTERY   
 ESC  MATRIX ISTC  VFS-1 CompIII

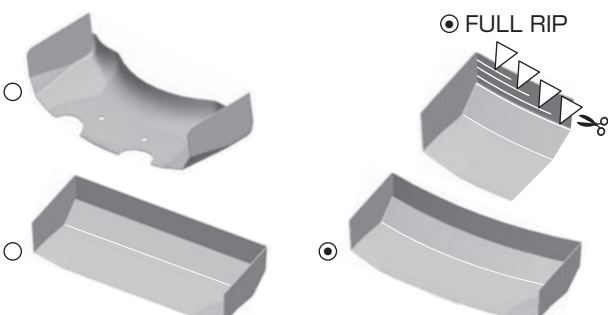
TIRE

- FRONT**  
 TIRE  Losi Stud  
 INSERTS  Losi  
 WHEELS  Yokomo

- REAR**  
 TIRE  Losi Stud  
 INSERTS  Losi  
 WHEELS  Yokomo

Editable by Arn0(@)PetitRC.com

OTHER



COMMENT

**Shock Absorber Big Bore**