

B-MAX4

SETTING SHEET Ver.01

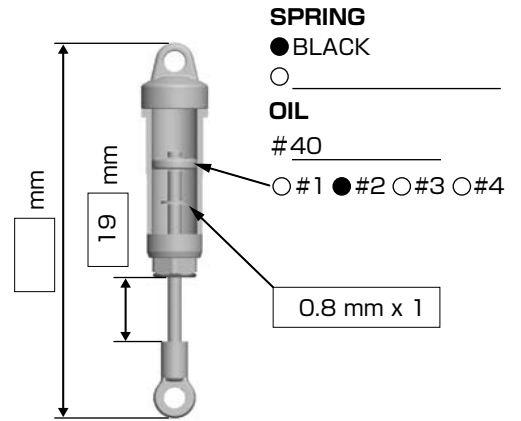
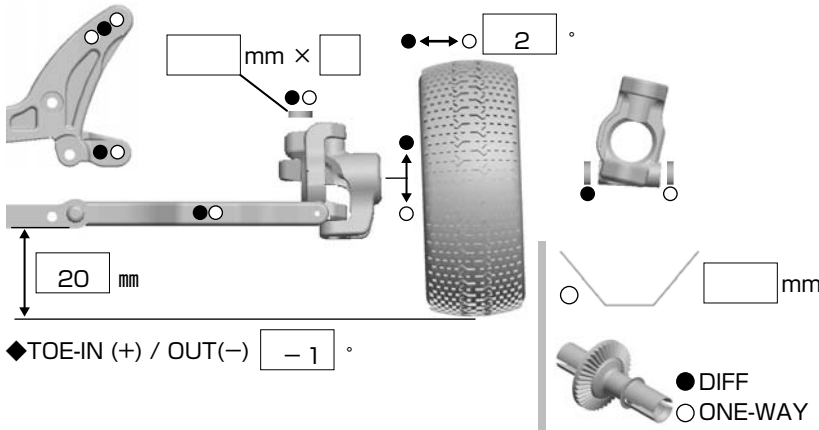
CIRCUIT AF MODELS / 2008 EUROPEAN CHAMPIONSHIPS

- INDOOR OUTDOOR
 WET DRY DUSTY OTHER
 LOW TRACTION MED TRACTION HIGH TRACTION
 SMOOTH BUMPY SANDY GRASS BLUE GROOVE

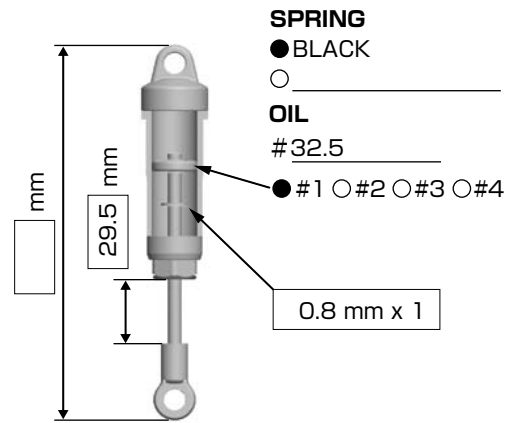
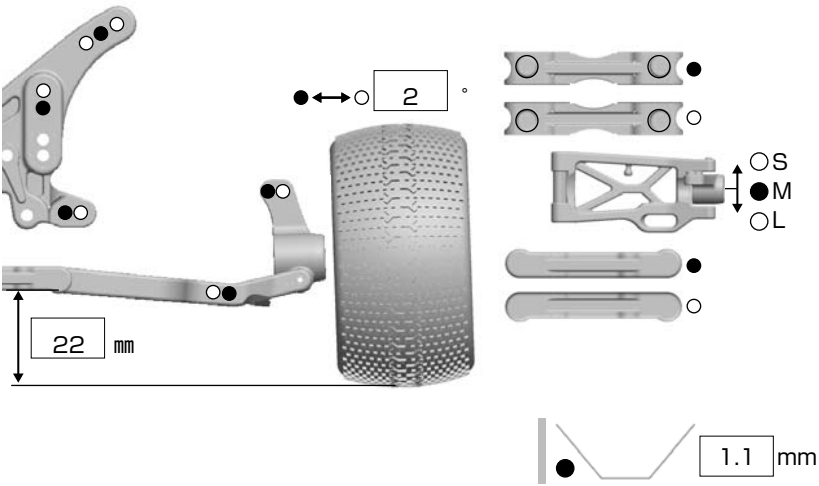
DRIVER Neil Cragg

DATE 08 /07/12

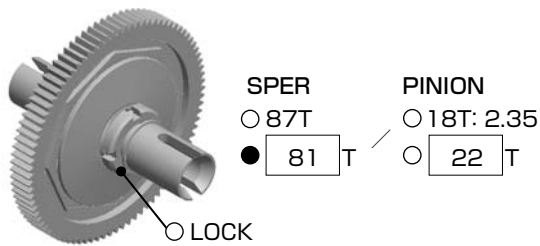
FRONT



REAR



DRIVE



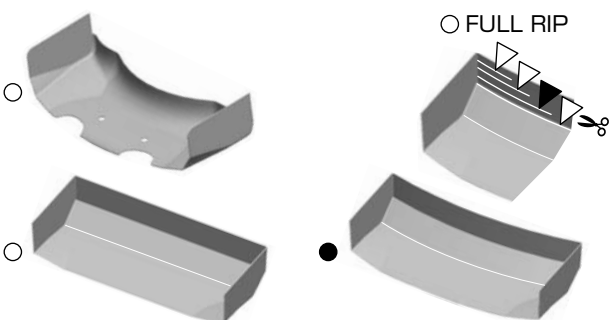
- MOTOR NOSRAM STORM EVO 6.5 Bonded
 Sintered 12.5 mm
 BRUSHES _____
 BATTERY _____
 ESC MATRIX ISTC VFS-1 CompIII

TIRE

- FRONT**
- TIRE TAPER PIN RED
- INSERTS _____
- WHEELS AS-9767

- REAR**
- TIRE BK-BAR RED
- INSERTS _____
- WHEELS AS-9598

OTHER



COMMENT