

# B-MAX4

## SETTING SHEET Ver.03

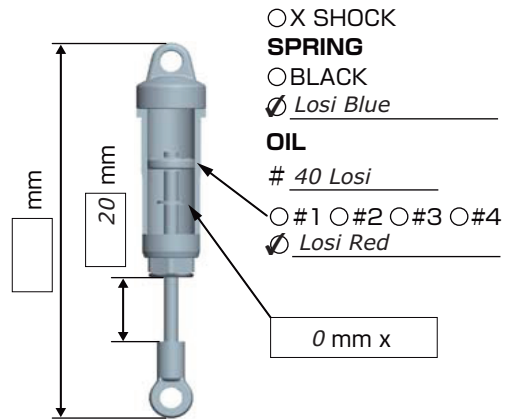
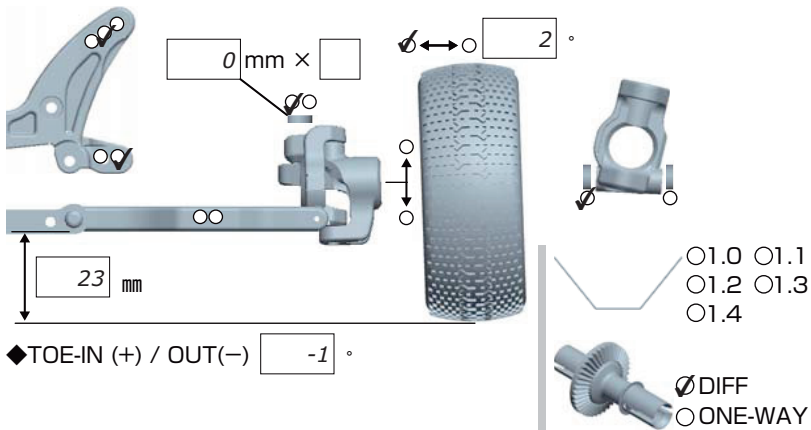
CIRCUIT Maritime Raceway - Petit Race 2010

- INDOOR  OUTDOOR  
 WET  DRY  DUSTY  OTHER  
 LOW TRACTION  MED TRACTION  HIGH TRACTION  
 SMOOTH  BUMPY  SANDY  GRASS  BLUE GROOVE

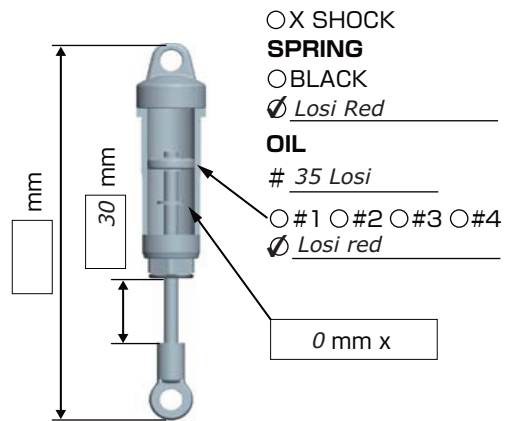
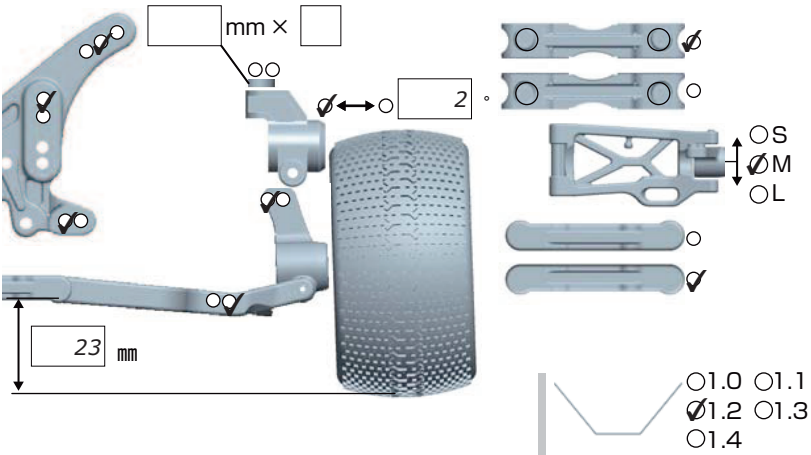
DRIVER Ashley Caunt

DATE 2010 / 01 / 17

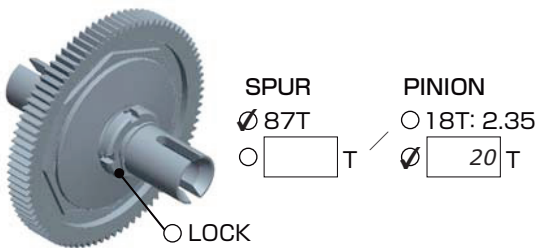
### FRONT



### REAR



### DRIVE



- MOTOR  Epic Duo 6.5  Bonded  Sintered mm  
 BRUSHES  \_\_\_\_\_  
 BATTERY  Vampire 4400 30C  
 ESC  NOSRAM PEARL evo. ISTC  
 LRP

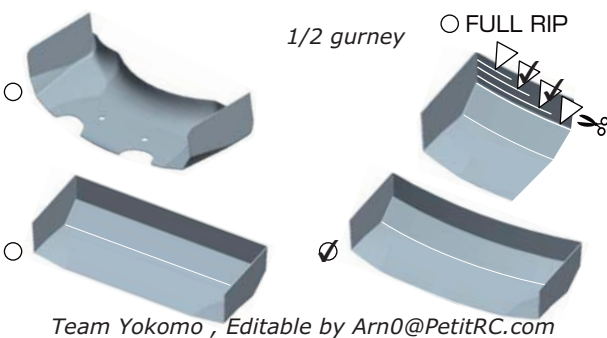
[www.PetitRC.com](http://www.PetitRC.com)

### TIRE

- FRONT**  
 TIRE  Schumacher Mini Pins Yellow  
 INSERTS  Medium  
 WHEELS  Yokomo

- REAR**  
 TIRE  Schumacher Mini Pins Yellow  
 INSERTS  Medium  
 WHEELS  Yokomo

### OTHER



### COMMENT