

# B-MAX4 II

## SETTING SHEET Ver.01

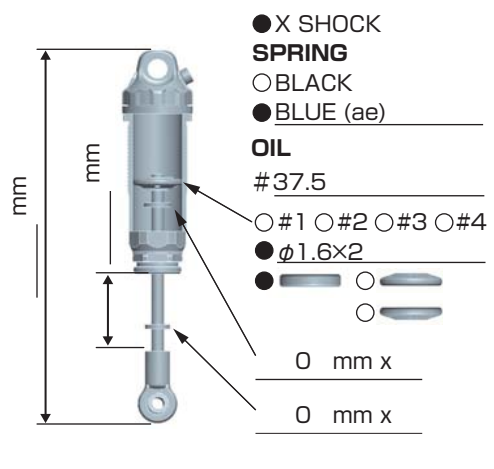
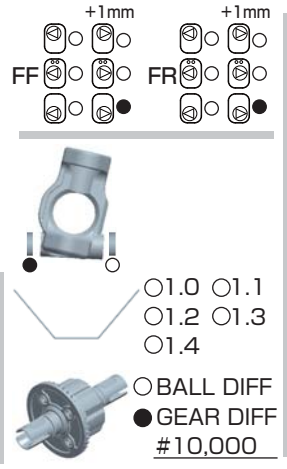
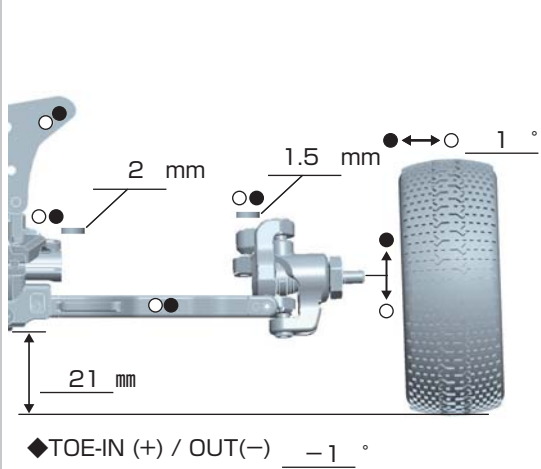
CIRCUIT 2013 IFMAR World Championship

- INDOOR  OUTDOOR
- WET  DRY  DUSTY  OTHER
- LOW TRACTION  MED TRACTION  HIGH TRACTION
- SMOOTH  BUMPY  BLUE GROOVE  ASTROTURF
- CARPET  WOOD

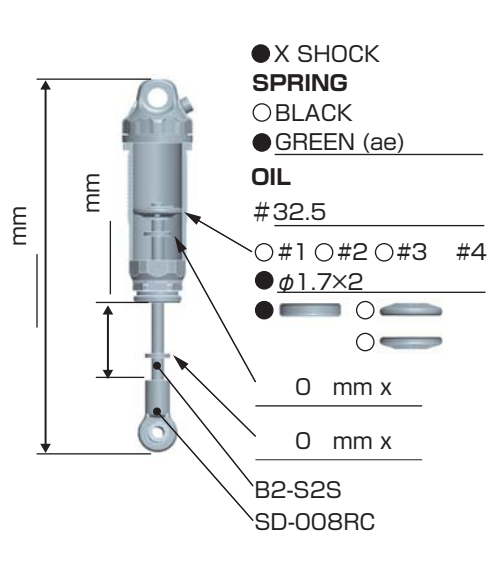
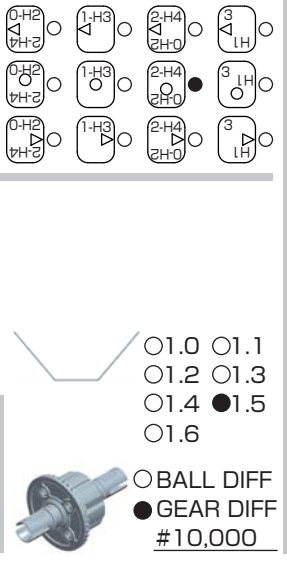
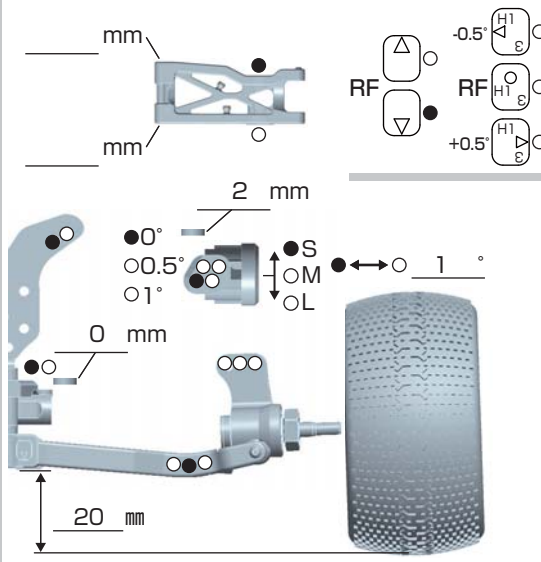
DRIVER Naoto Matsukura

DATE / /

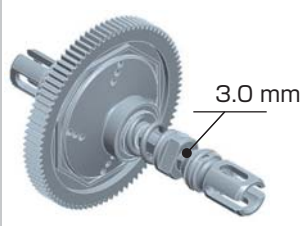
### FRONT



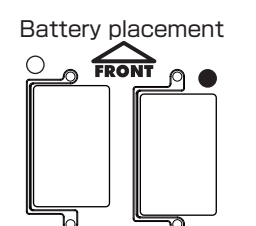
### REAR



### DRIVE



MOTOR ⇨ YOKOMO RP 6.5T  Bonded  
 Sintered mm  
GEAR ⇨ Spur 84 T / Pinion 20 T : 2.35  
BATTERY ⇨ TEAM SPEC Li-po 5900mAh  
ESC  NOSRAM / / /  
 BL-R3.1

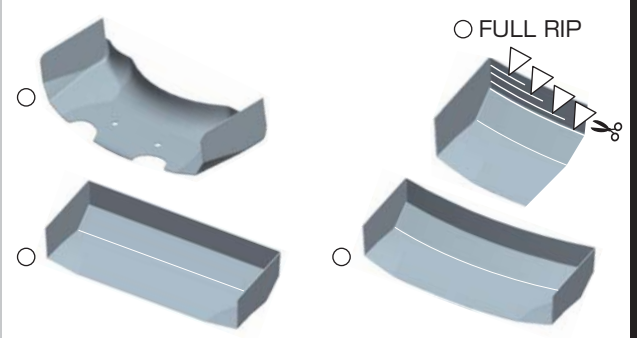


### TIRE

FRONT  
TIRE ⇨ Pro-Line X2 compound Scrubs  
INSERTS ⇨ Stock white  
WHEELS ⇨

REAR  
TIRE ⇨ Pro-Line X2 compound Suburb 2.0  
INSERTS ⇨ Stock white  
WHEELS ⇨

### OTHER



COMMENT