

B-MAX4 II Arr0

SETTING SHEET Ver.06

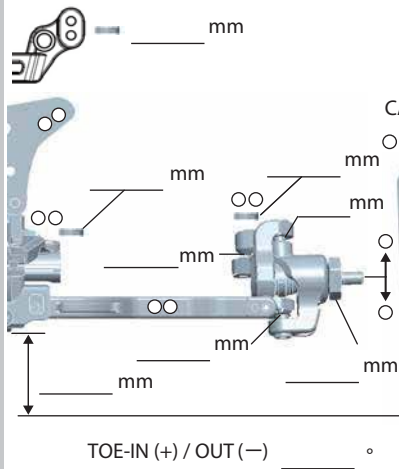
CIRCUIT

- INDOOR OUTDOOR
- WET DRY DUSTY SMOOTH BUMPY OTHER
- LOW TRACTION MED TRACTION HIGH TRACTION
- CLAY GRASS BLUE GROOVE ASTROTURF DIRT CARPET WOOD

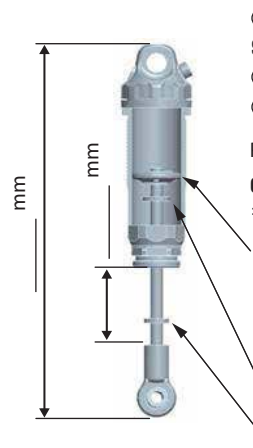
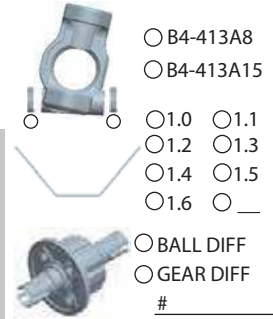
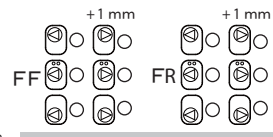
DRIVER

DATE

FRONT

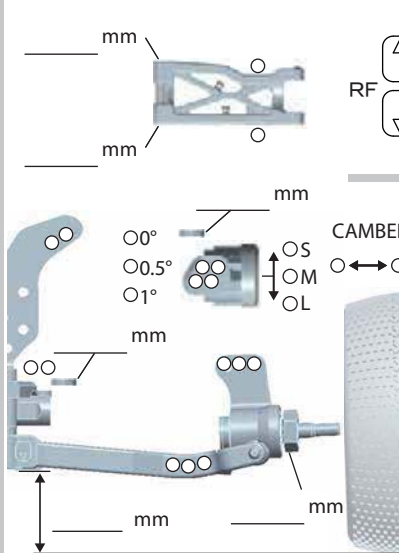


TOE-IN (+) / OUT (-) _____°

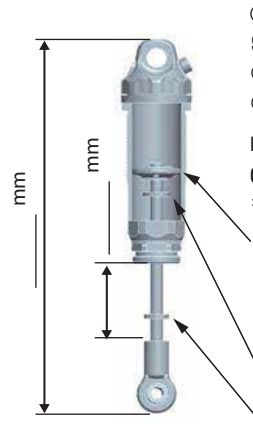
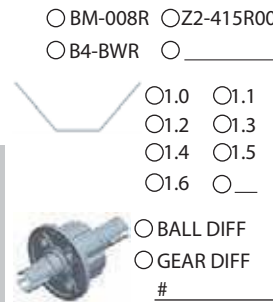
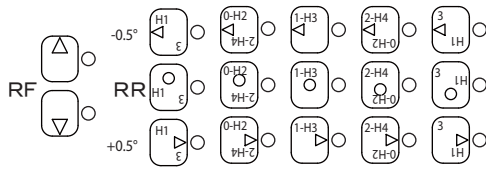


- X SHOCK
- SPRING**
- BLACK
- _____
- PRELOAD _____
- OIL**
- # _____
- #1 #2 #3 #4
- _____
- _____
- mm x _____
- mm x _____

REAR

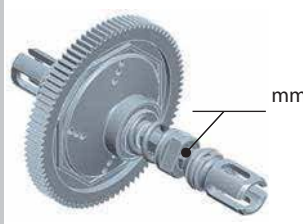


CAMBER _____°

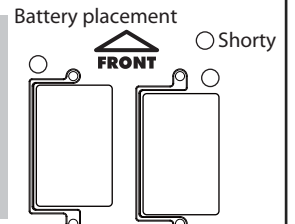


- X SHOCK
- SPRING**
- BLACK
- _____
- PRELOAD _____
- OIL**
- # _____
- #1 #2 #3 #4
- _____
- _____
- mm x _____
- mm x _____

DRIVE



- MOTOR Bonded Sintered mm
- GEAR Spur T / Pinion T : 2.35
- BATTERY _____
- ESC Racing Performer X Series // /
- BL-R3 _____

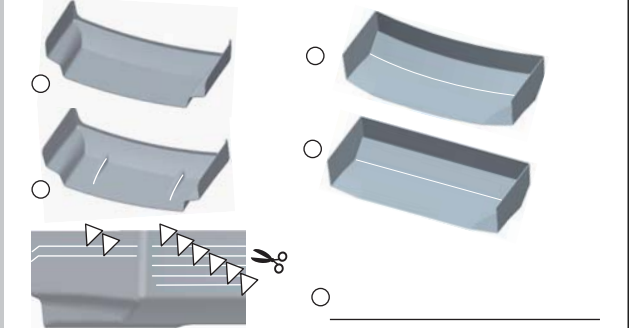


TIRE

- FRONT**
- TIRE _____
- INSERTS _____
- WHEELS _____

- REAR**
- TIRE _____
- INSERTS _____
- WHEELS _____

OTHER



COMMENT