

B-MAX4

EDITABLE SETTING SHEET Ver.01

CIRCUIT Georgii Halle, Leonberg

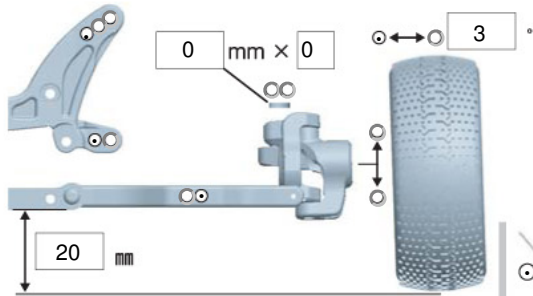


- INDOOR OUTDOOR
- WET DRY DUSTY OTHER
- LOW TRACTION MED TRACTION HIGH TRACTION
- SMOOTH BUMPY SANDY GRASS BLUE GROOVE

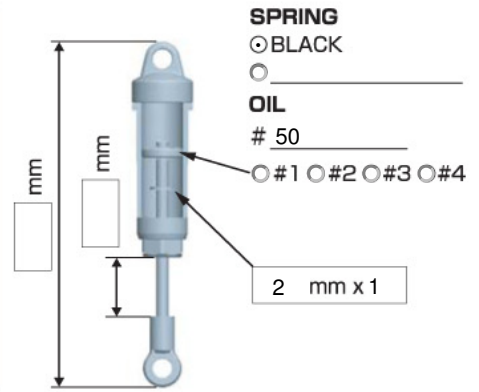
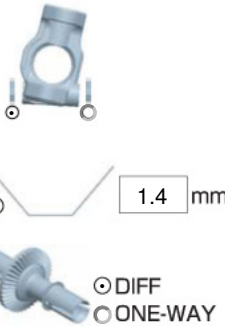
DRIVER Marco Stettler

DATE 17 / 1 / 10

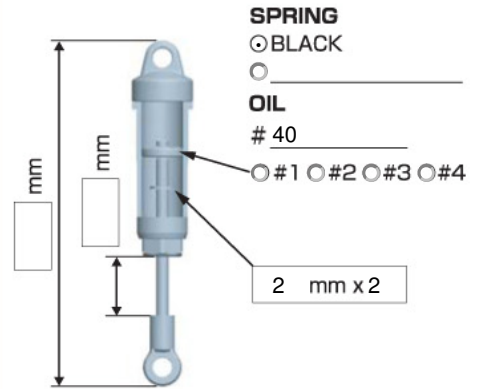
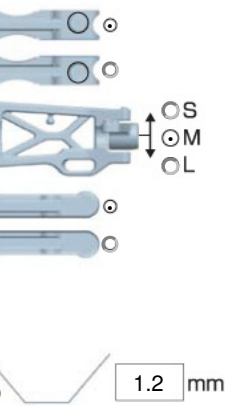
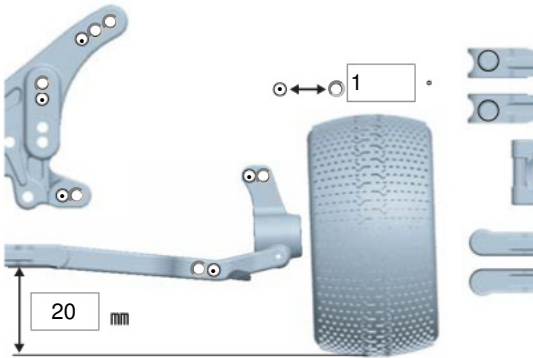
FRONT



TOE-IN (+) / OUT(-) -1



REAR



DRIVE



SPER 87T T
PINION 18T: 2,35 T

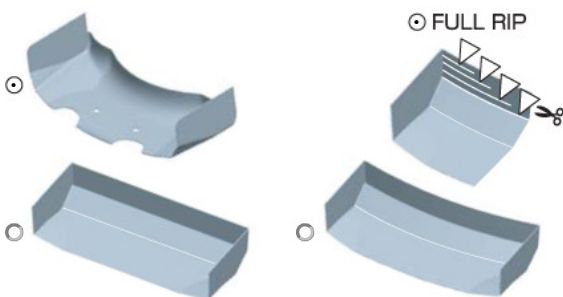
- MOTOR GM Pro 6.5 Bonded Sintered mm
- BRUSHES
- BATTERY GM LiPo 4200 mAh
- ESC MATRIX ISTC VFS-1 CompIII GM Genius 120

TIRE

FRONT
TIRE Schumacher Micro Spike
INSERTS Yokomo
WHEELS

REAR
TIRE Schumacher Micro Spike
INSERTS Yokomo
WHEELS

OTHER



COMMENT

Car was very easy to drive, but incredible fast. Q P3, F P3. 2nd fastest lap of the day.