

# B-MAX4 II

## SETTING SHEET Ver.01

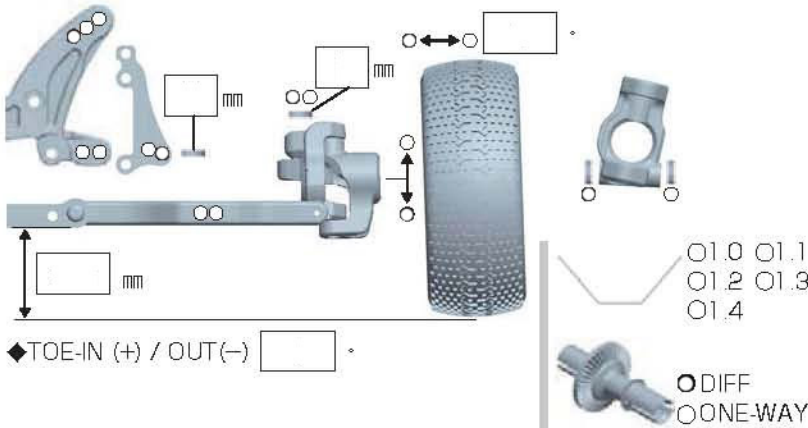
### CIRCUIT

- INDOOR  OUTDOOR
- WET  DRY  DUSTY  OTHER
- LOW TRACTION  MED TRACTION  HIGH TRACTION
- SMOOTH  BUMPY  BLUE GROOVE  ASTROTURF

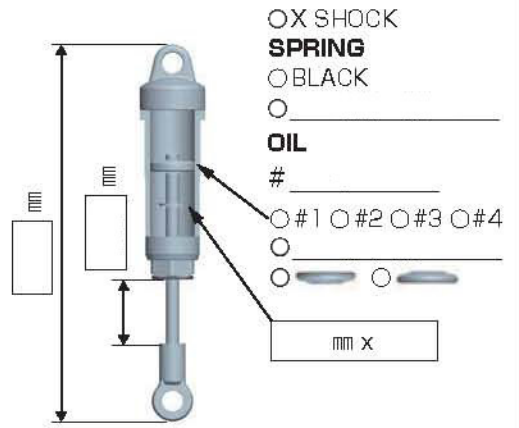
DRIVER

DATE

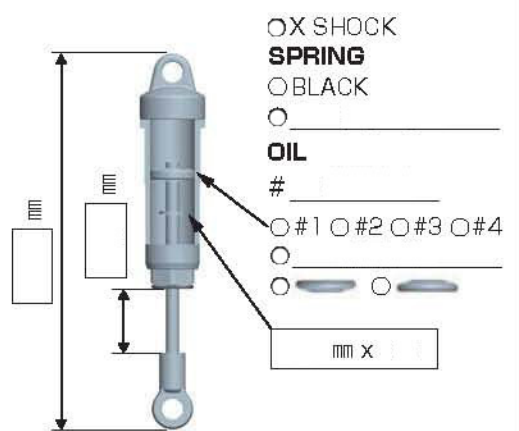
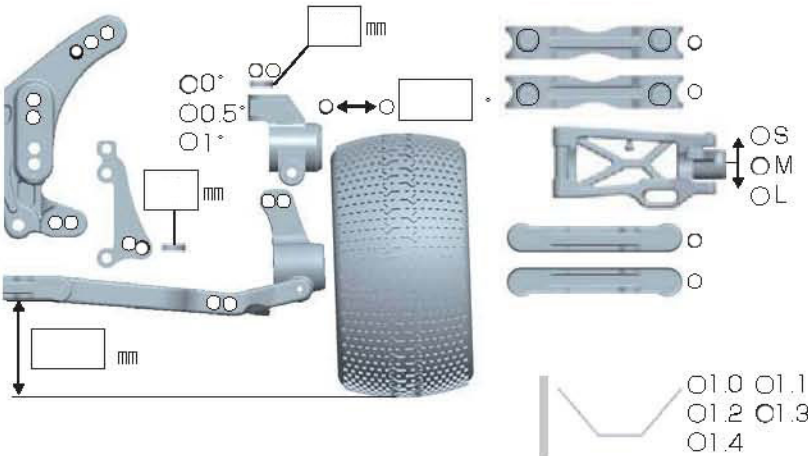
### FRONT



◆ TOE-IN (+) / OUT (-)



### REAR



### DRIVE

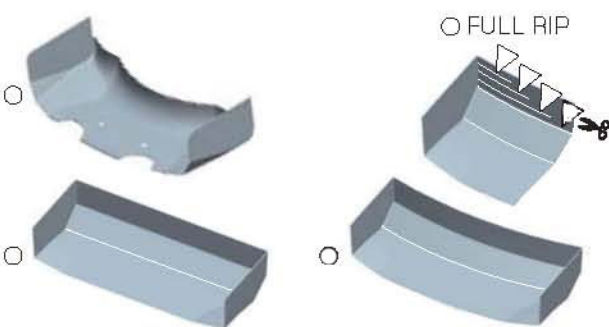


- MOTOR    \_\_\_\_\_
  - BRUSHES  \_\_\_\_\_
  - BATTERY  \_\_\_\_\_
  - ESC  \_\_\_\_\_
  -
- Bonded  Sintered \_\_\_\_\_ mm

### TIRE

- | FRONT                                  | REAR                                   |
|--|--|
| TIRE <input type="checkbox"/> _____    | TIRE <input type="checkbox"/> _____    |
| INSERTS <input type="checkbox"/> _____ | INSERTS <input type="checkbox"/> _____ |
| WHEELS <input type="checkbox"/> _____  | WHEELS <input type="checkbox"/> _____  |

### OTHER



### COMMENT