

B-MAX2

SETTING SHEET Ver.01

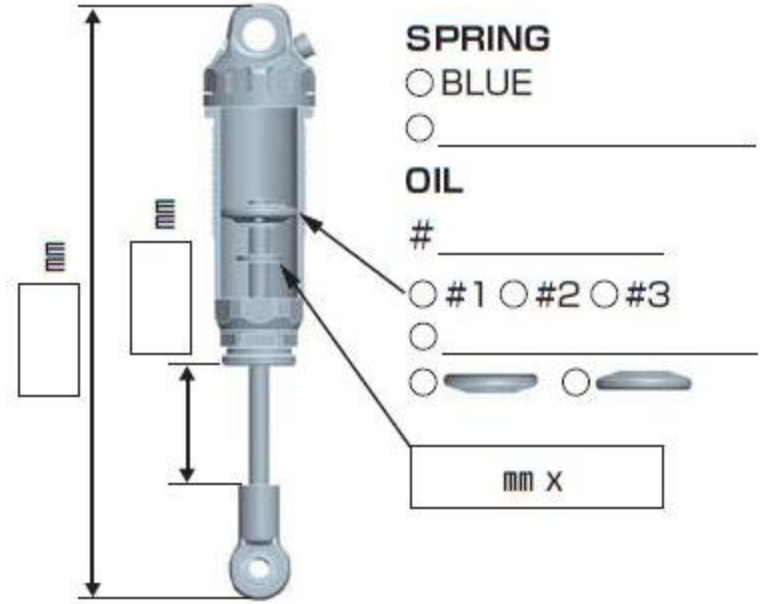
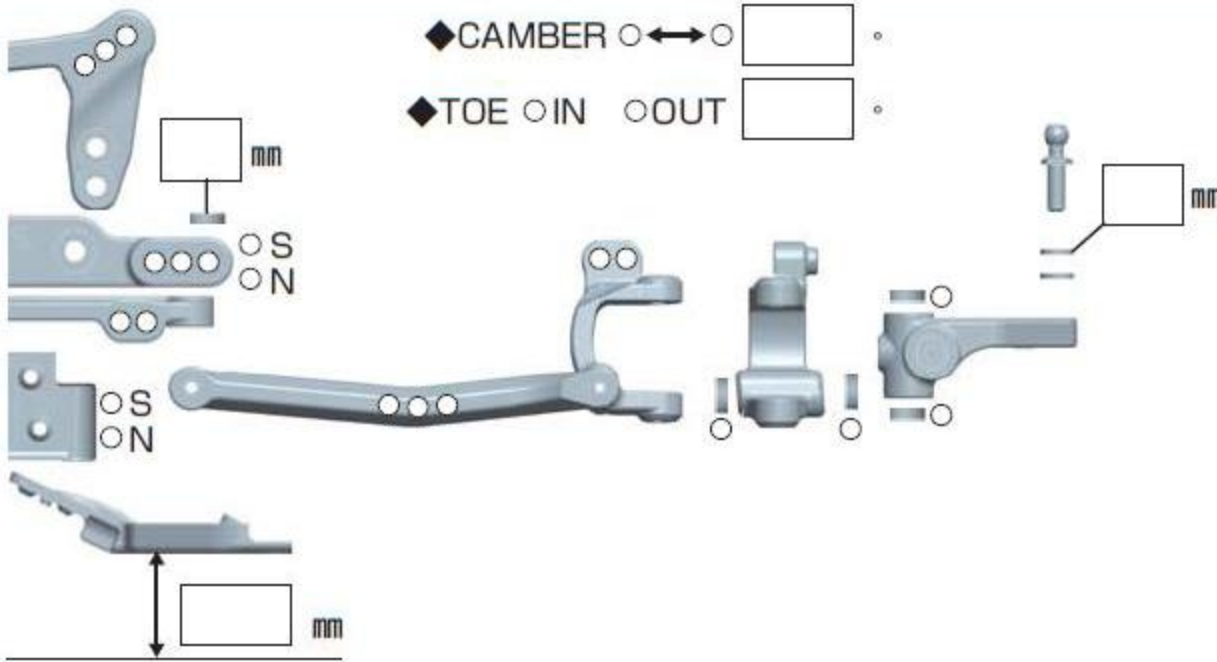
CIRCUIT

- INDOOR OUTDOOR
- WET DRY DUSTY OTHER
- LOW TRACTION MED TRACTION HIGH TRACTION
- SMOOTH BUMPY BLUE GROOVE ASTROTURF

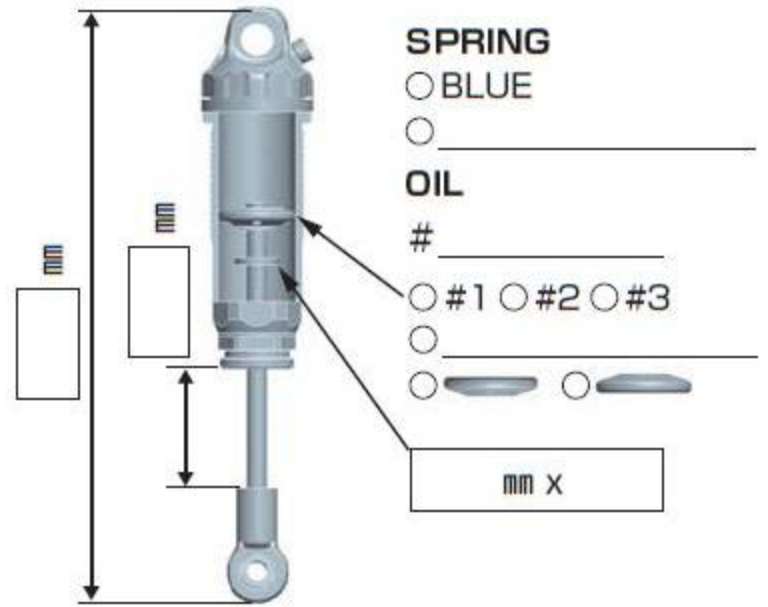
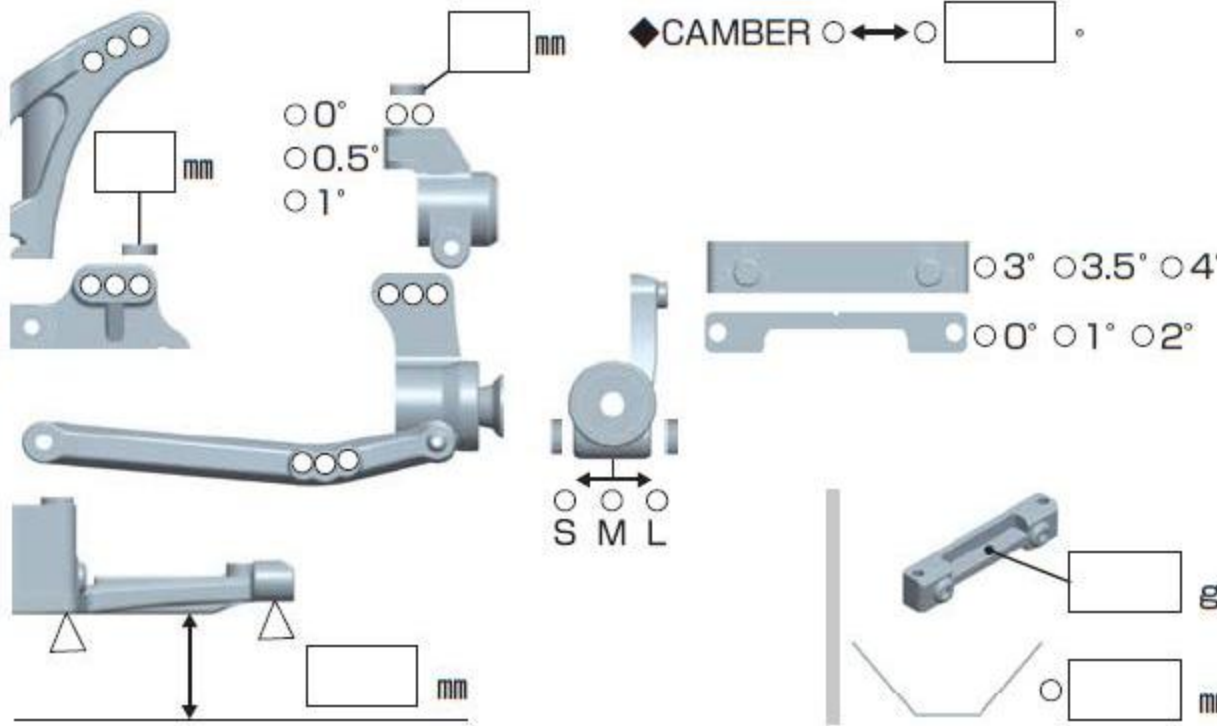
DRIVER _____

DATE / /

FRONT

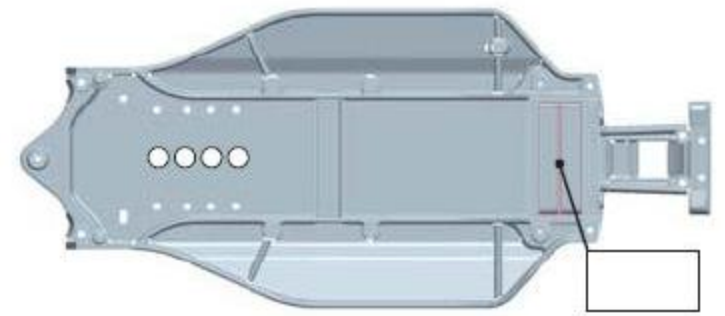


REAR



DRIVE

MOTOR _____ Bonded Sintered mm
 GEAR Spur T / Pinion T : 2.6
 BATTERY _____
 ESC NOSRAM / / /

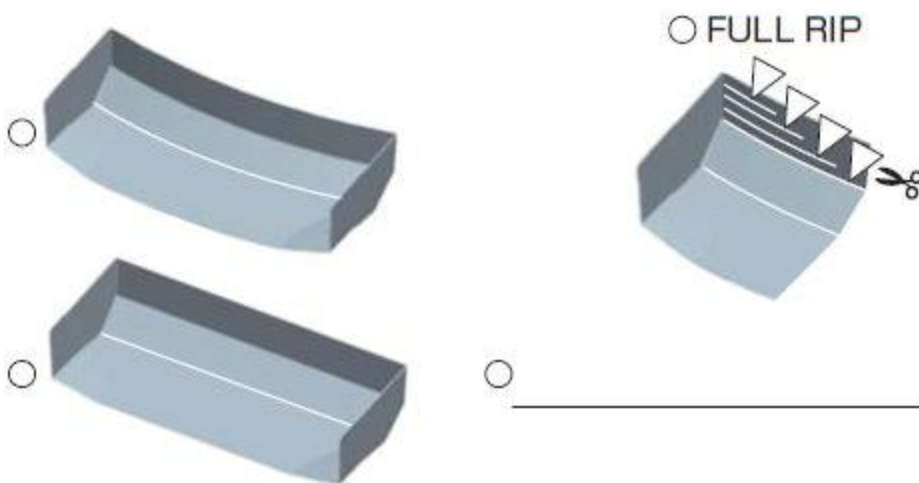


TIRE

FRONT
 TIRE _____
 INSERTS _____
 WHEELS _____

REAR
 TIRE _____
 INSERTS _____
 WHEELS _____

OTHER



COMMENT