

# B-MAX2

## SETTING SHEET Ver.01

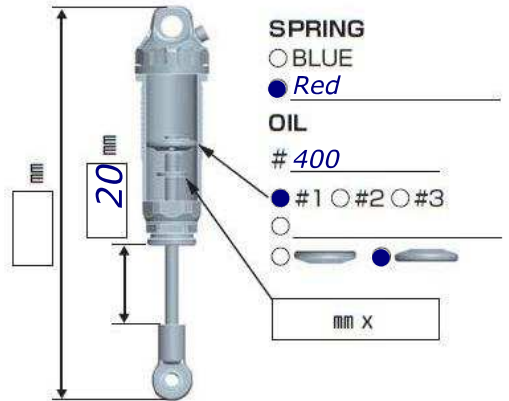
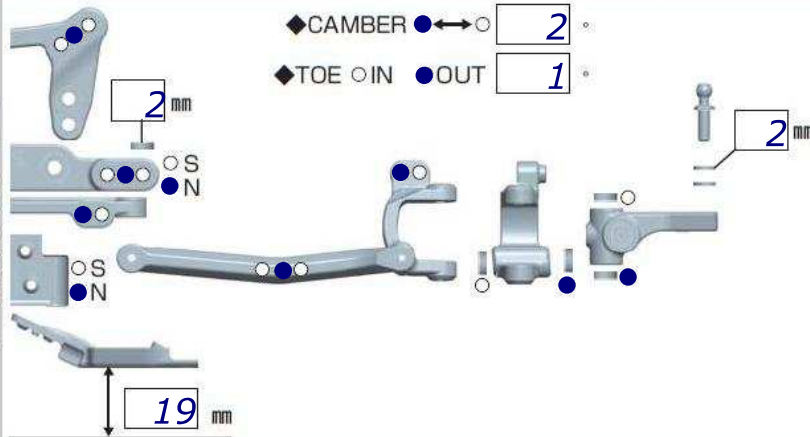
CIRCUIT *Euro Offroad Series Rd1 - Hrotovice (CZ)*

- INDOOR    OUTDOOR  
 WET    DRY    DUSTY    OTHER  
 LOW TRACTION    MED TRACTION    HIGH TRACTION  
 SMOOTH    BUMPY    BIUE GROOVE    ASTROTURF

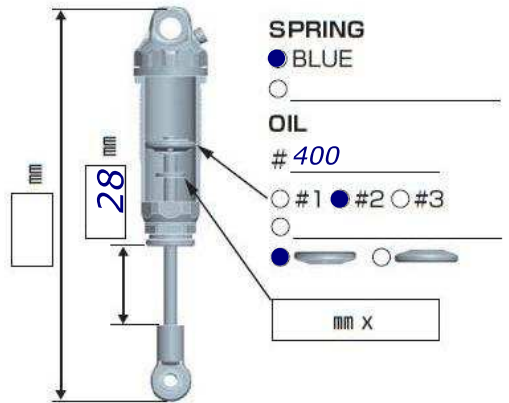
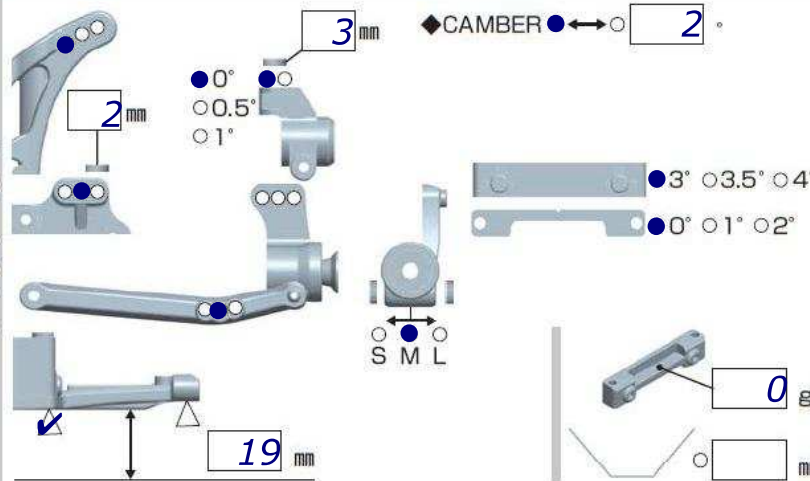
DRIVER *Michal Bok*

DATE *10.-12.02.2012*

### FRONT

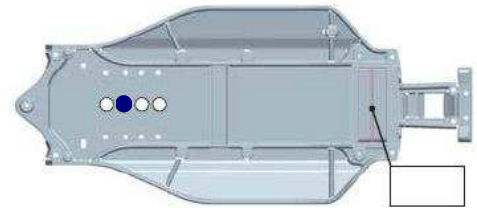


### REAR



### DRIVE

- MOTOR    *LRP X20 7.5T*    Bonded    Sintered *12.5 mm*  
 GEAR    Spur *80T* / Pinion *22T*: 2.6 Ratio: *0.00*  
 BATTERY    *Silverback*  
 ESC    NOSRAM   / / /  
 *LRP SXX Competition V2 (0-1-1-4)*

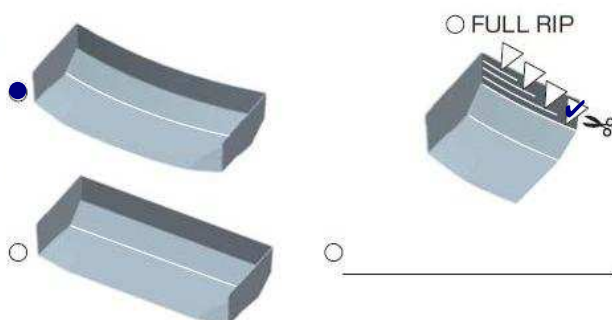


### TIRE

- |   |  |
|---|--|
| <p>FRONT</p> <p>TIRE   <input checked="" type="checkbox"/> <i>dBoots Nanobyte A</i></p> <p>INSERTS   <input checked="" type="checkbox"/> <i>Schumacher Hard (Black)</i></p> <p>WHEELS   <input checked="" type="checkbox"/> <i>Yokomo</i></p> | <p>REAR</p> <p>TIRE   <input checked="" type="checkbox"/> <i>dBoots Nanobyte A</i></p> <p>INSERTS   <input checked="" type="checkbox"/> <i>Schumacher Hard (Black)</i></p> <p>WHEELS   <input checked="" type="checkbox"/> <i>Yokomo</i></p> |
|---|--|

Editable by Arn0 at PetitRC.com

### OTHER



### COMMENT