

B-MAX2

SETTING SHEET Ver.01

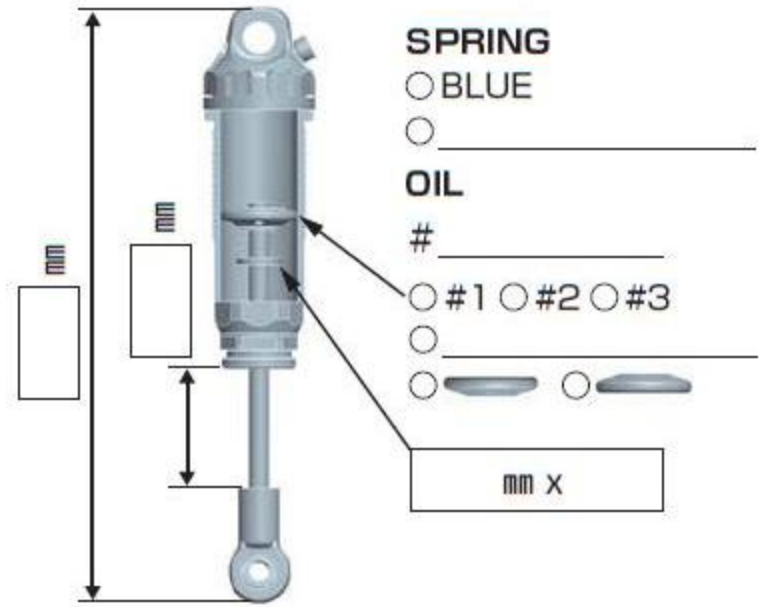
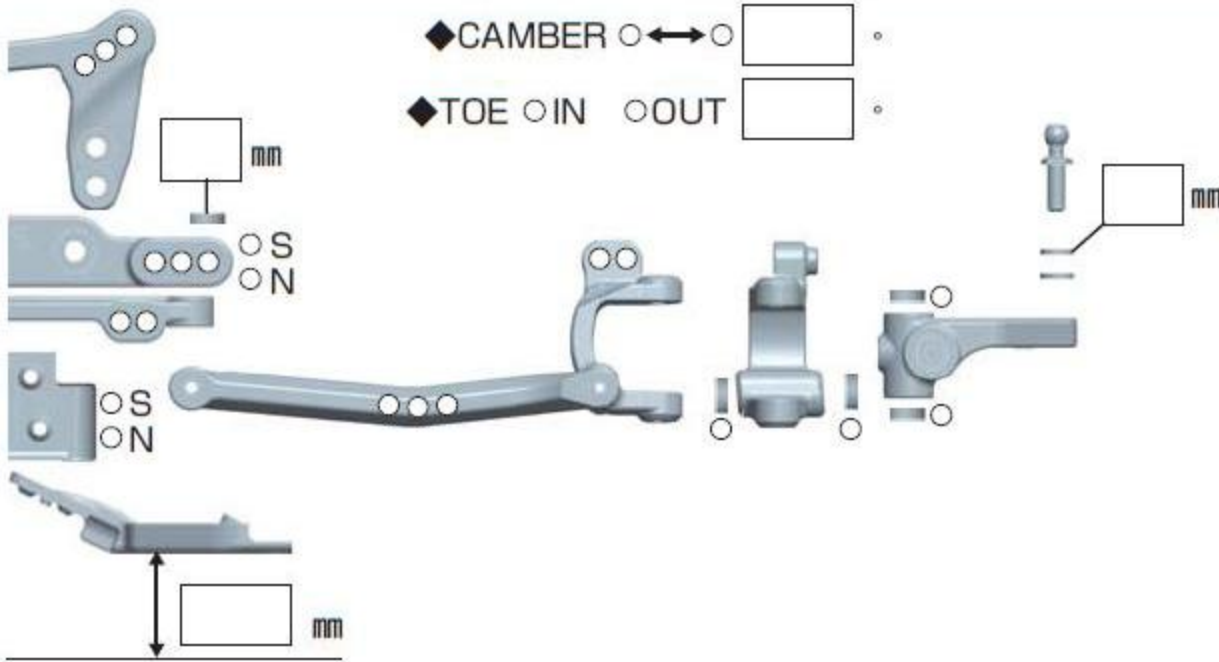
CIRCUIT

- INDOOR OUTDOOR
- WET DRY DUSTY OTHER
- LOW TRACTION MED TRACTION HIGH TRACTION
- SMOOTH BUMPY BLUE GROOVE ASTROTURF

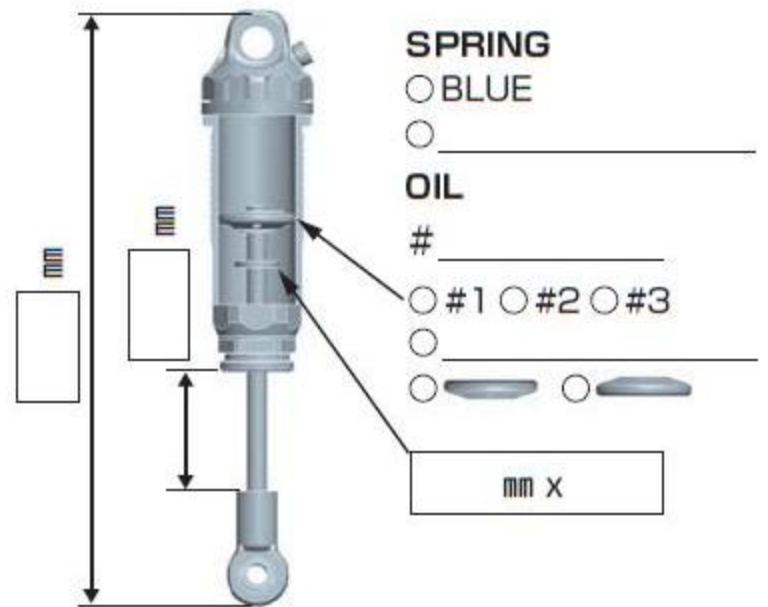
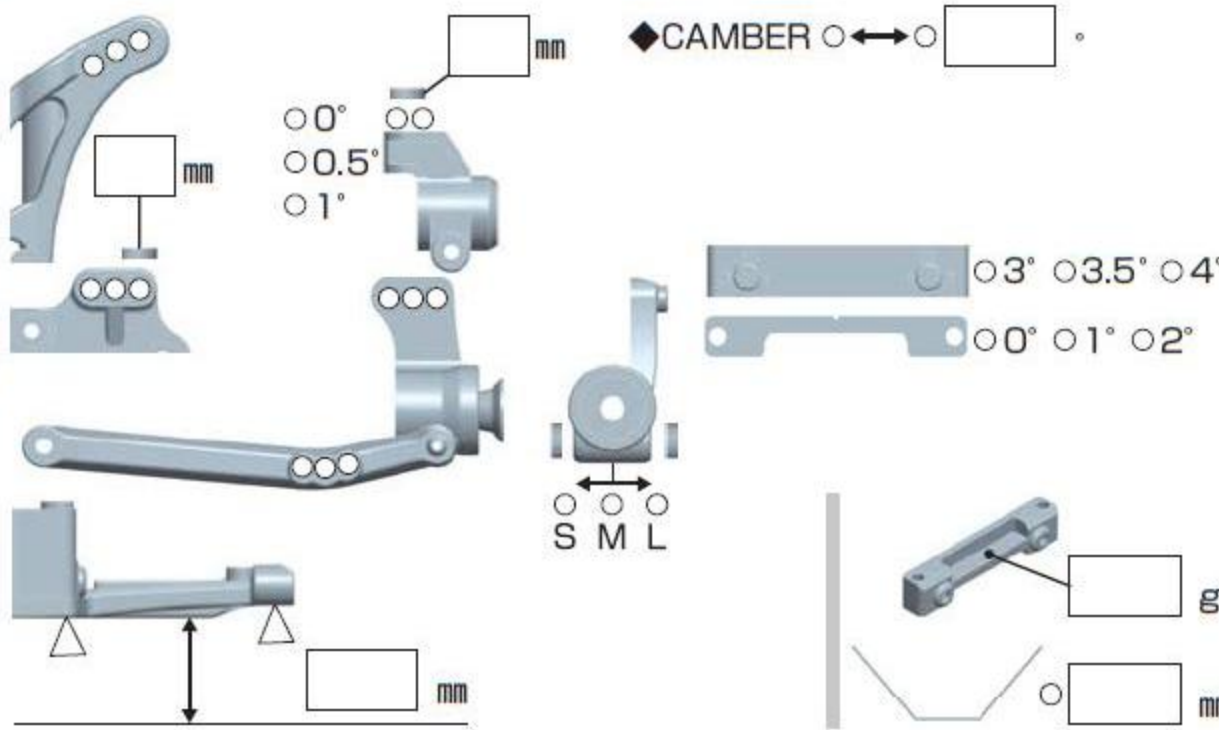
DRIVER _____

DATE / /

FRONT

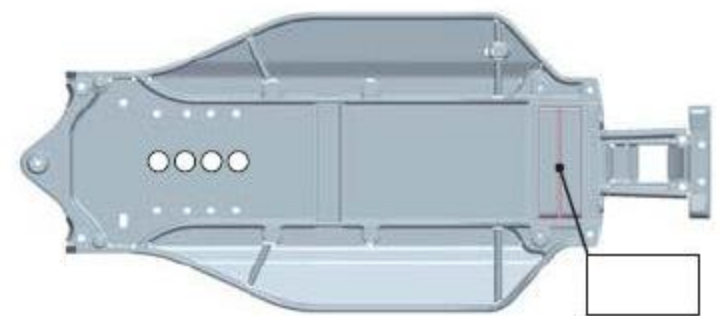


REAR



DRIVE

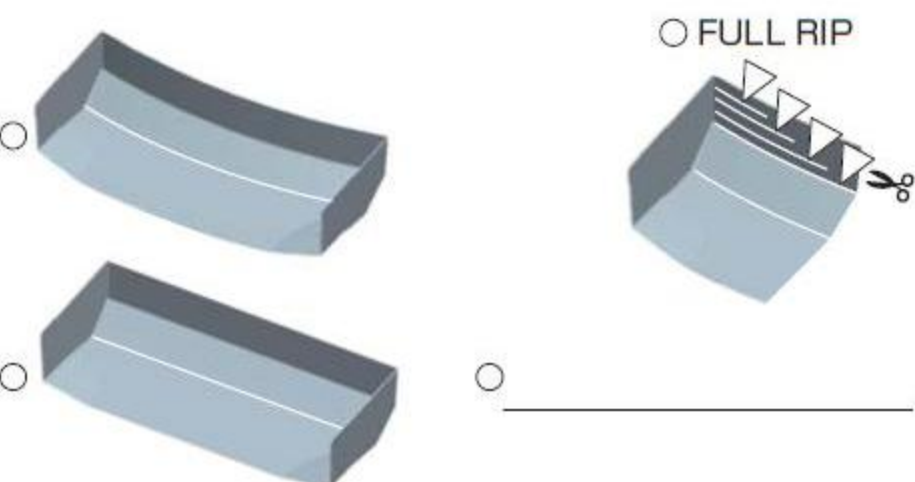
- MOTOR _____ Bonded Sintered mm
- GEAR Spur T / Pinion T : 2.6
- BATTERY _____
- ESC NOSRAM / / /
- _____



TIRE

- | | | | |
|-------------------------------------|--|-------------------------------------|--|
| FRONT | | REAR | |
| TIRE <input type="radio"/> _____ | | TIRE <input type="radio"/> _____ | |
| INSERTS <input type="radio"/> _____ | | INSERTS <input type="radio"/> _____ | |
| WHEELS <input type="radio"/> _____ | | WHEELS <input type="radio"/> _____ | |

OTHER



COMMENT
