

# B-MAX2

## SETTING SHEET Ver.01

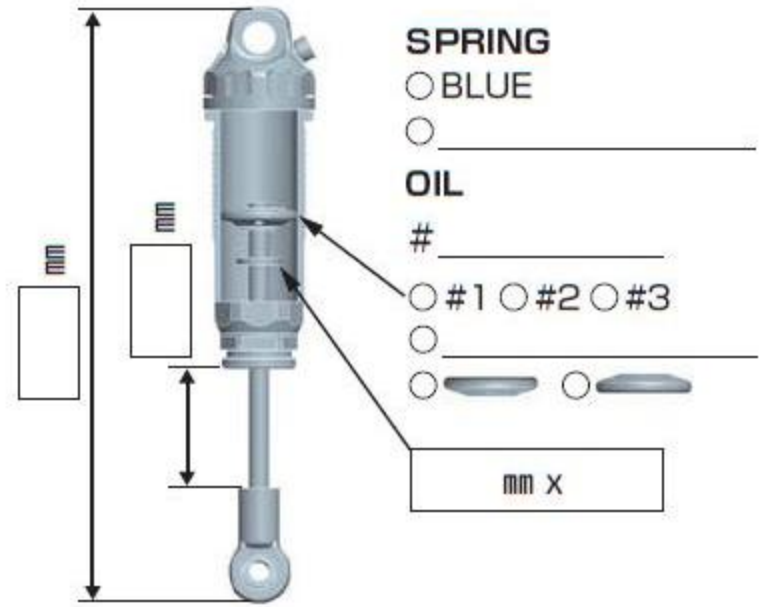
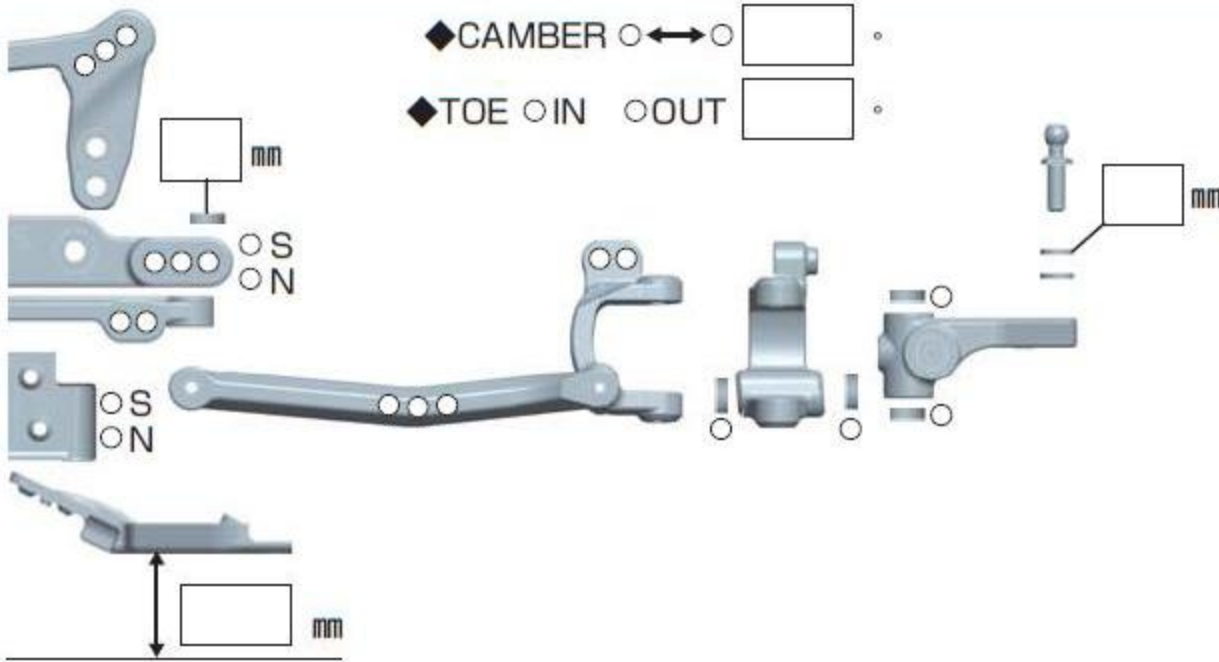
### CIRCUIT

- INDOOR  OUTDOOR
- WET  DRY  DUSTY  OTHER
- LOW TRACTION  MED TRACTION  HIGH TRACTION
- SMOOTH  BUMPY  BLUE GROOVE  ASTROTURF

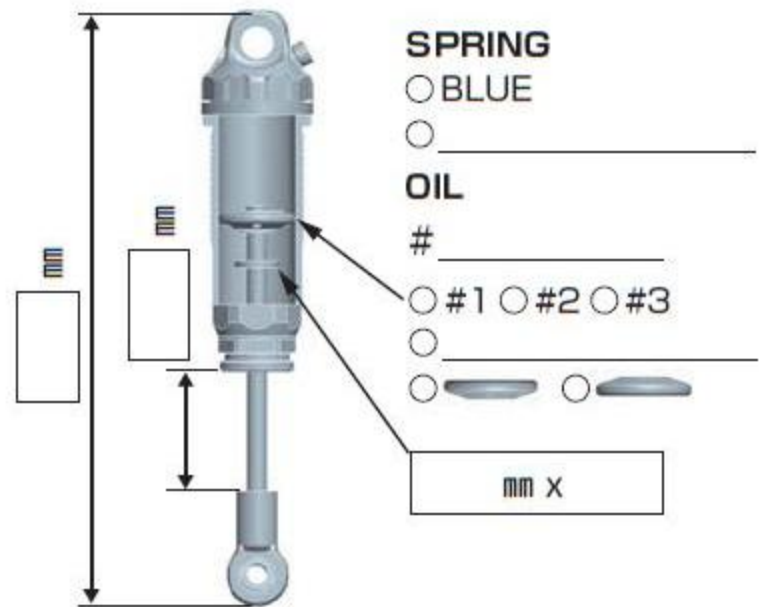
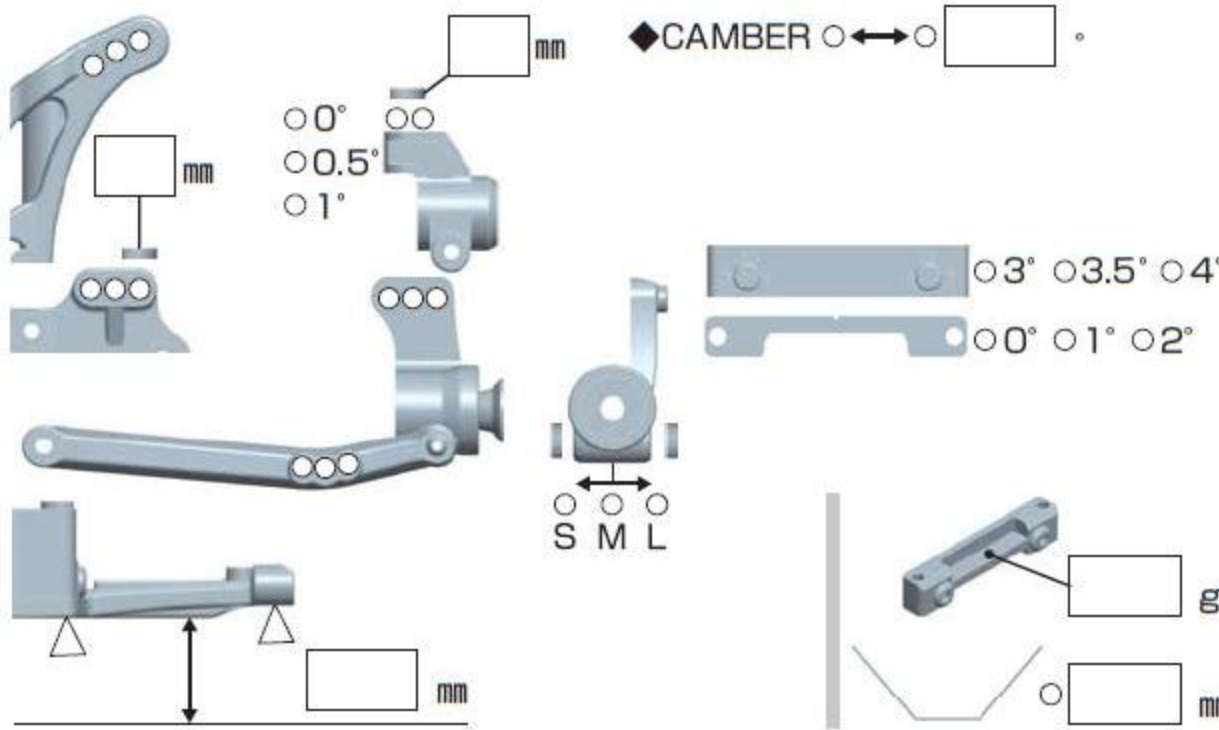
DRIVER \_\_\_\_\_

DATE      /      /

### FRONT

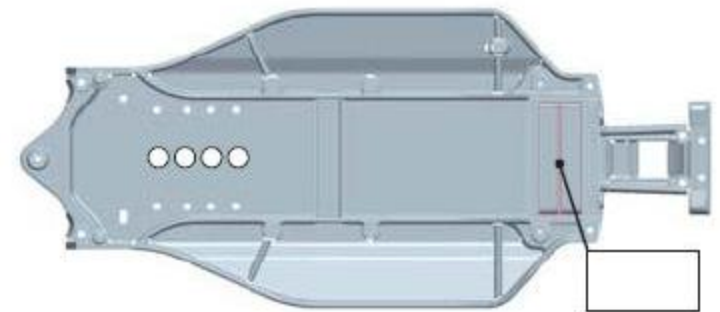


### REAR



### DRIVE

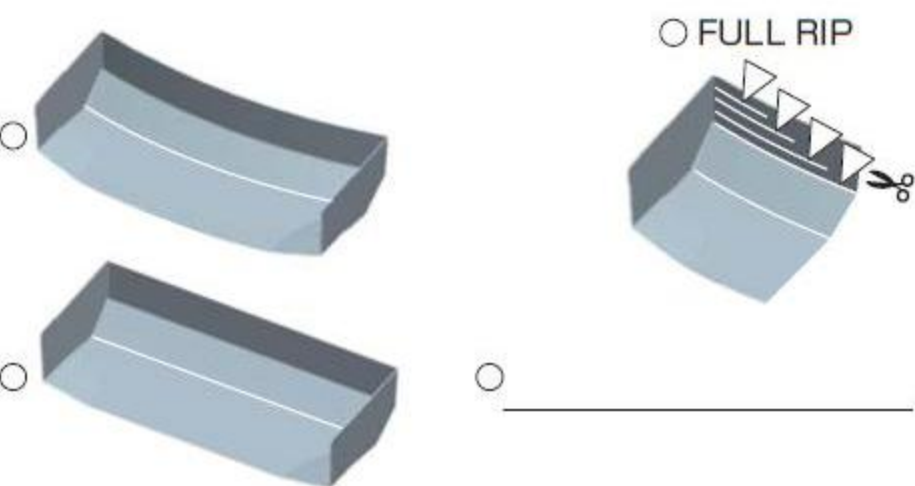
- MOTOR  \_\_\_\_\_  Bonded  Sintered mm
- GEAR  Spur T / Pinion T : 2.6
- BATTERY  \_\_\_\_\_
- ESC  NOSRAM / / /
- \_\_\_\_\_



### TIRE

- |                                     |  |                                     |  |
|-------------------------------------|--|-------------------------------------|--|
| <b>FRONT</b>                        |  | <b>REAR</b>                         |  |
| TIRE <input type="radio"/> _____    |  | TIRE <input type="radio"/> _____    |  |
| INSERTS <input type="radio"/> _____ |  | INSERTS <input type="radio"/> _____ |  |
| WHEELS <input type="radio"/> _____  |  | WHEELS <input type="radio"/> _____  |  |

### OTHER



### COMMENT