

# B-MAX2MR

## SETTING SHEET Ver.01

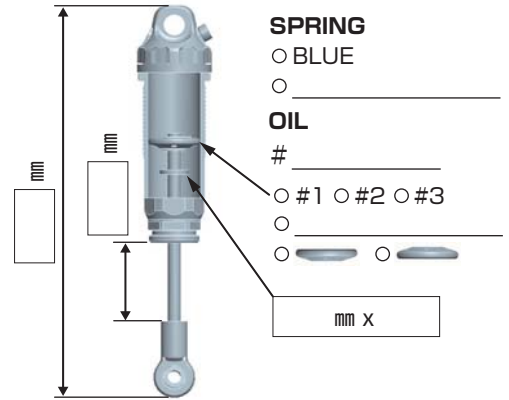
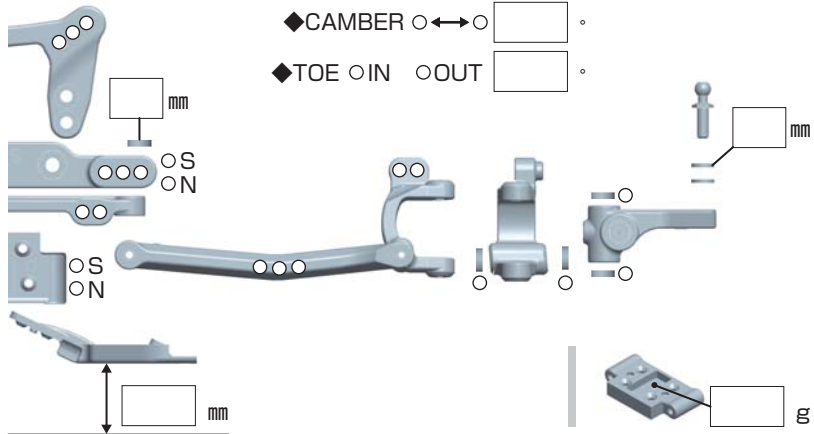
### CIRCUIT

- INDOOR  OUTDOOR  
 WET  DRY  DUSTY  OTHER  
 LOW TRACTION  MED TRACTION  HIGH TRACTION  
 SMOOTH  BUMPY  BLUE GROOVE  ASTROTURF

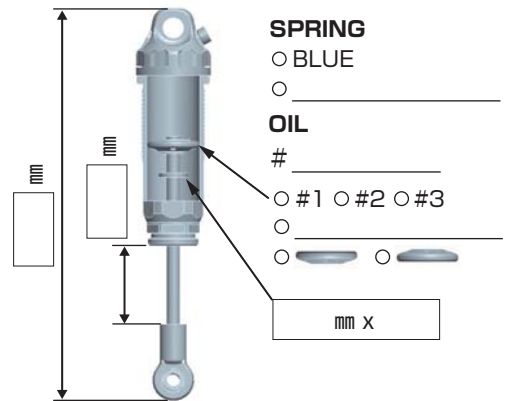
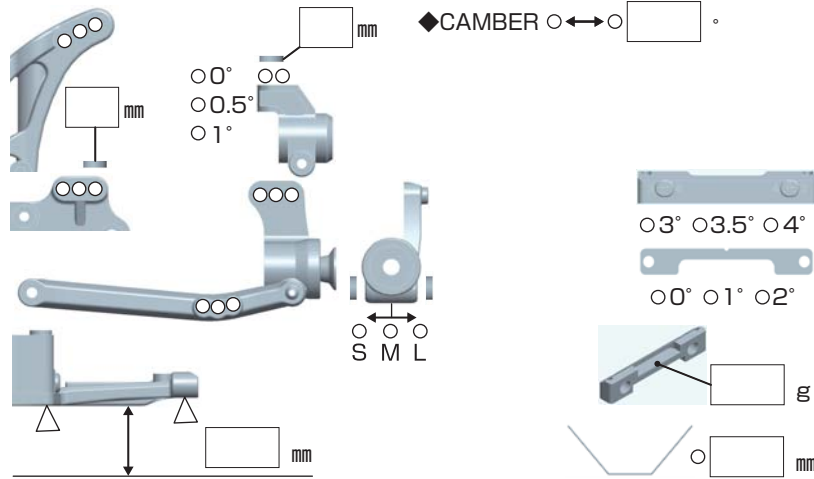
DRIVER \_\_\_\_\_

DATE / /

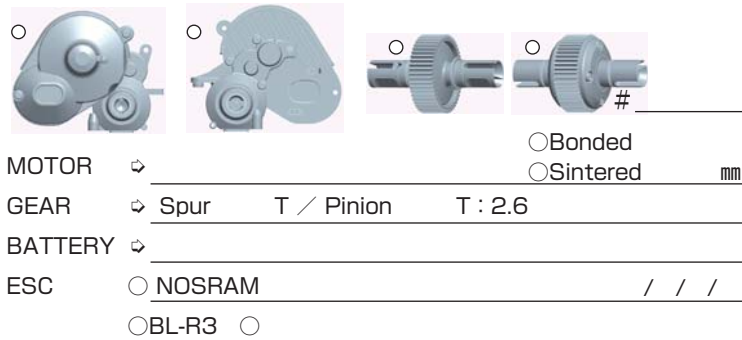
### FRONT



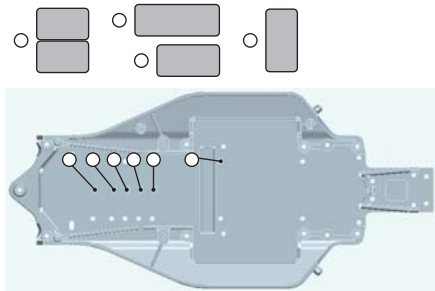
### REAR



### DRIVE



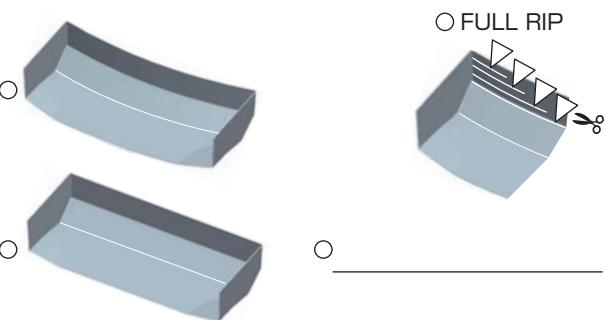
### Battery placement



### TIRE

<b>FRONT</b>	<b>REAR</b>
TIRE ↘ _____	TIRE ↘ _____
INSERTS ↘ _____	INSERTS ↘ _____
WHEELS ↘ _____	WHEELS ↘ _____

### OTHER



### COMMENT