

# B-MAX2MR

## SETTING SHEET Ver.01

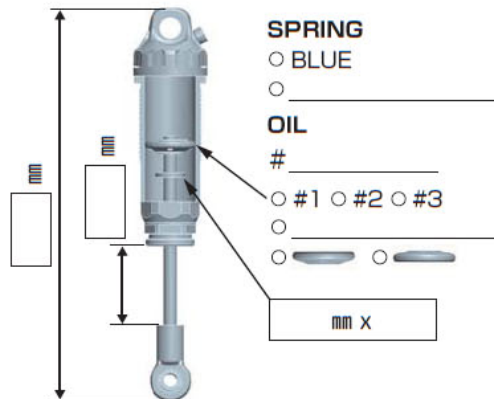
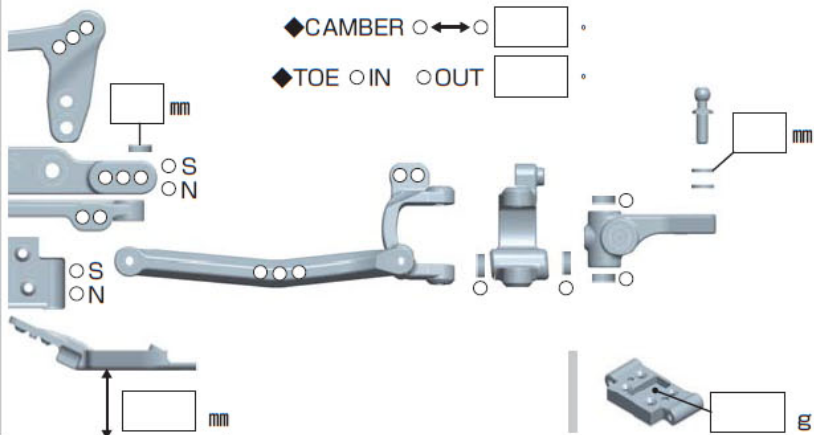
### CIRCUIT

- INDOOR  OUTDOOR
- WET  DRY  DUSTY  OTHER
- LOW TRACTION  MED TRACTION  HIGH TRACTION
- SMOOTH  BUMPY  BLUE GROOVE  ASTROTURF
- CARPET  WOOD

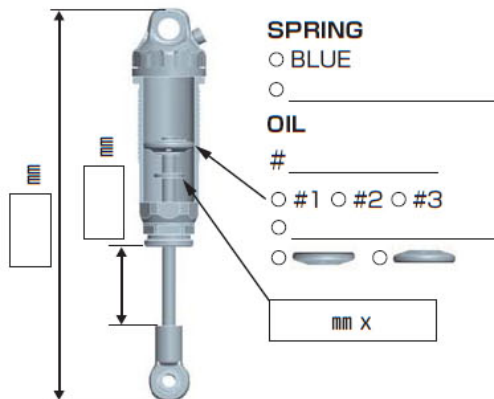
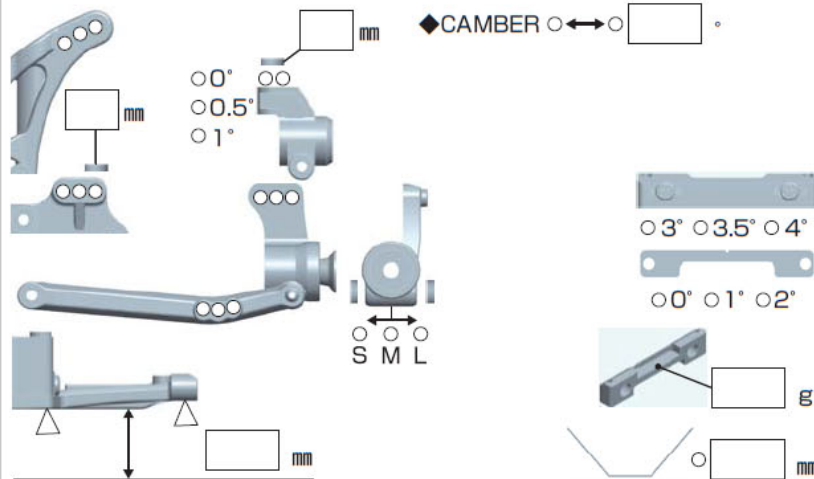
DRIVER \_\_\_\_\_

DATE    /    /

### FRONT



### REAR



### DRIVE

Midship  Rear motor

Bonded  Sintered

MOTOR  \_\_\_\_\_ mm

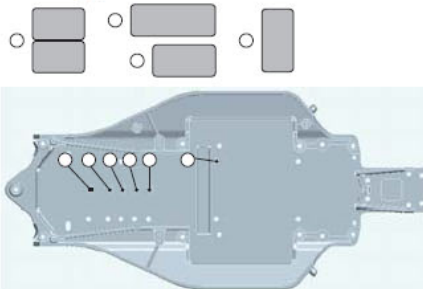
GEAR  Spur    T / Pinion    T : 2.6

BATTERY  \_\_\_\_\_

ESC  NOSRAM    / / /

BL-R3  \_\_\_\_\_

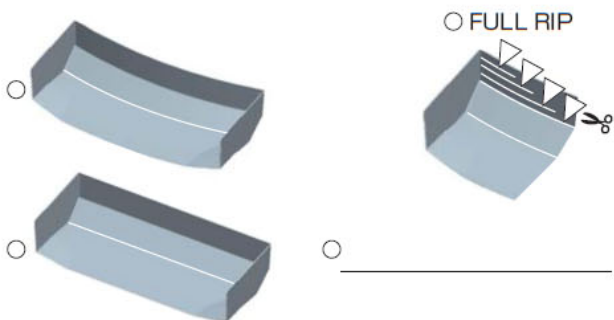
### Battery placement



### TIRE

<b>FRONT</b>	<b>REAR</b>
TIRE <input type="radio"/> _____	TIRE <input type="radio"/> _____
INSERTS <input type="radio"/> _____	INSERTS <input type="radio"/> _____
WHEELS <input type="radio"/> _____	WHEELS <input type="radio"/> _____

### OTHER



### COMMENT