

B-MAX2MR

SETTING SHEET Ver.01

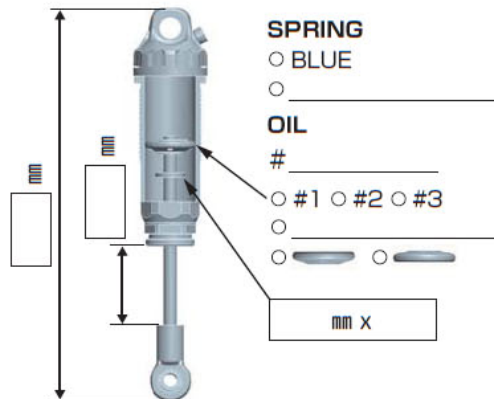
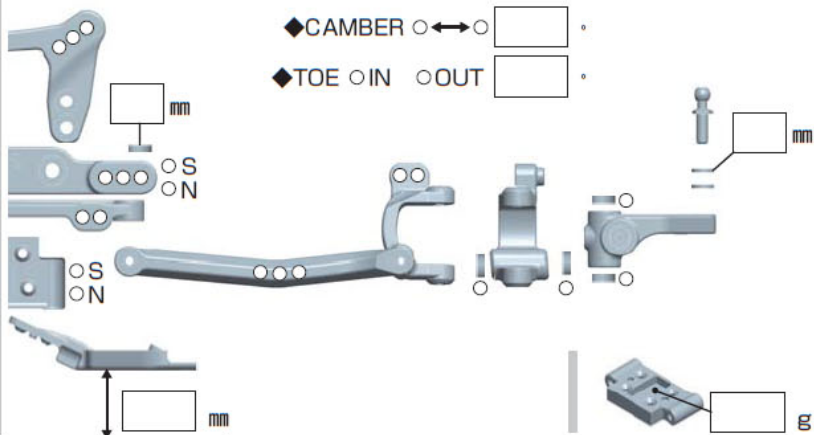
CIRCUIT

- INDOOR OUTDOOR
- WET DRY DUSTY OTHER
- LOW TRACTION MED TRACTION HIGH TRACTION
- SMOOTH BUMPY BLUE GROOVE ASTROTURF
- CARPET WOOD

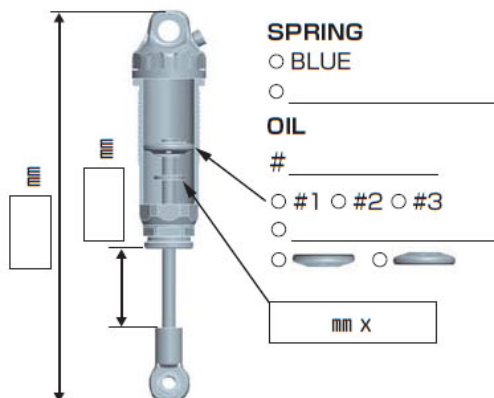
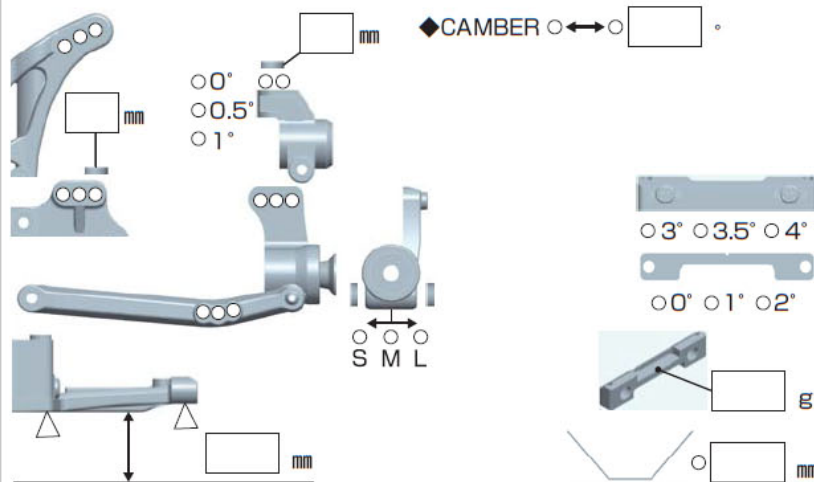
DRIVER _____

DATE / /

FRONT



REAR



DRIVE

Midship

Rear motor

Bonded

Sintered

MOTOR _____ mm

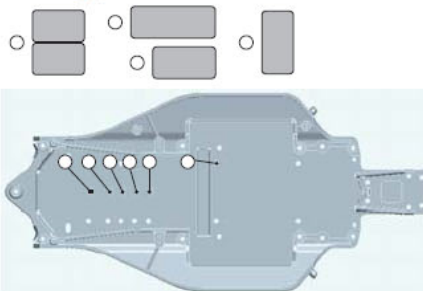
GEAR Spur T / Pinion T : 2.6

BATTERY _____

ESC NOSRAM / / /

BL-R3 _____

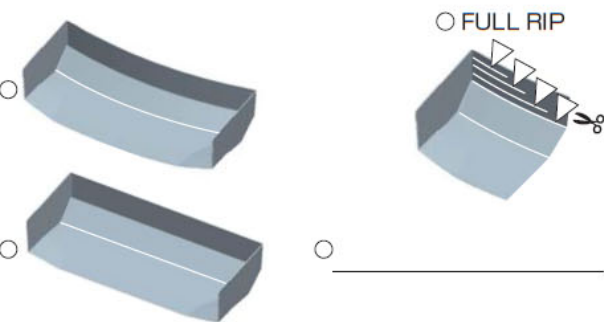
Battery placement



TIRE

FRONT	REAR
TIRE <input type="checkbox"/> _____	TIRE <input type="checkbox"/> _____
INSERTS <input type="checkbox"/> _____	INSERTS <input type="checkbox"/> _____
WHEELS <input type="checkbox"/> _____	WHEELS <input type="checkbox"/> _____

OTHER



COMMENT
