

B-MAX2MR

SETTING SHEET

Arn0

CIRCUIT

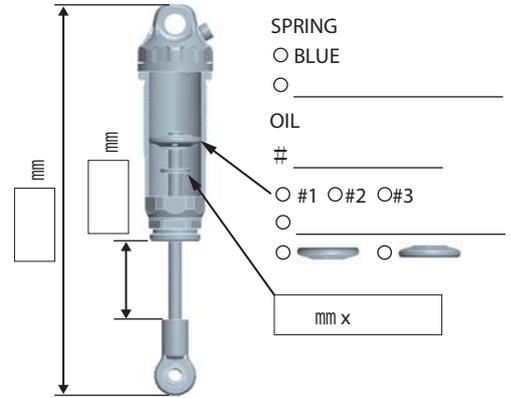
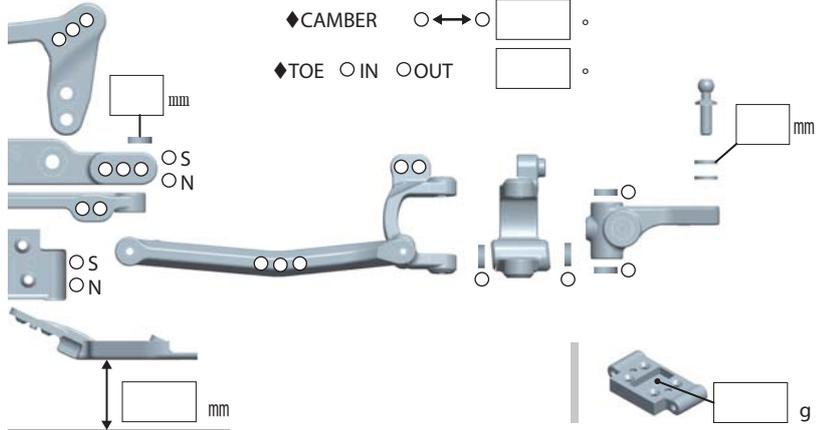
- INDOOR OUTDOOR
 WET DRY DUSTY SMOOTH BUMPY OTHER
 LOW TRACTION MED TRACTION HIGH TRACTION
 CLAY GRASS BLUE GROOVE ASTROTURF GRASS CARPET WOOD

DRIVER

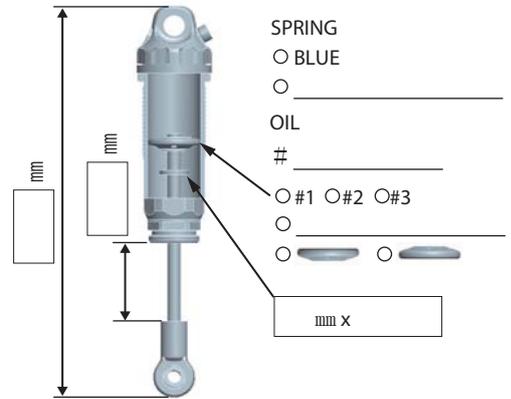
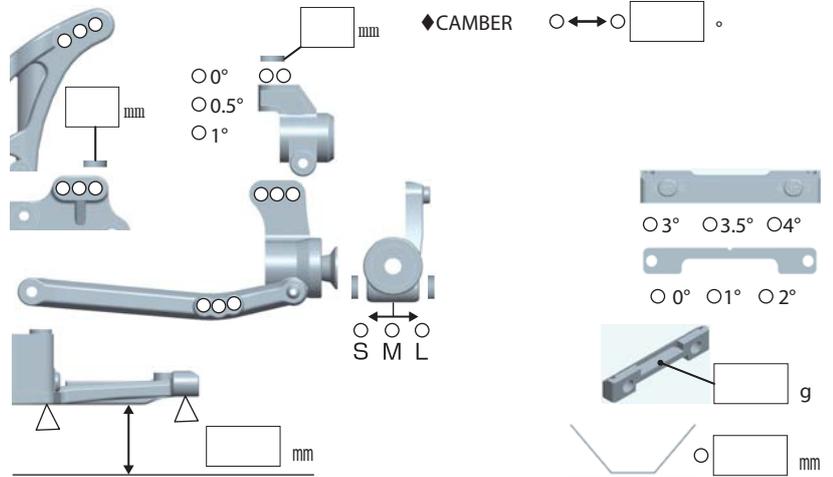
DATE

/ /

FRONT



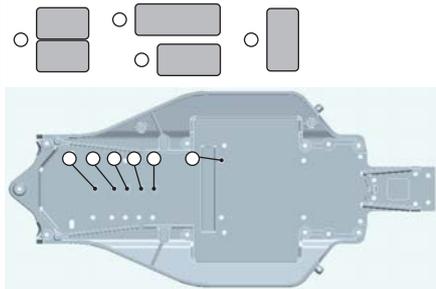
REAR



DRIVE

Midship Rear
 # _____
 Bonded
 Sintered _____ mm
 MOTOR ◆ _____
 GEAR ◆ Spur T / Pinion T : 2.6
 BATTERY ◆ _____
 ESC NOSRAM _____ / / /
 BL-R3

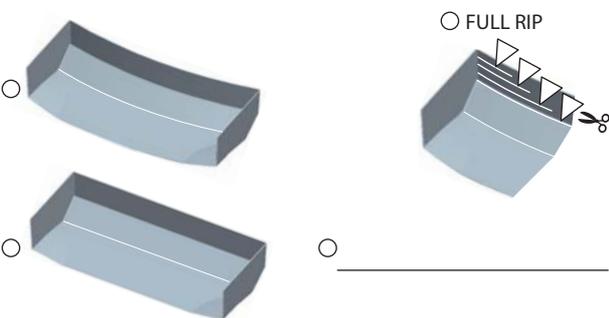
Battery placement



TIRE

FRONT	REAR
TIRE ◆ _____	TIRE ◆ _____
INSERTS ◆ _____	INSERTS ◆ _____
WHEELS ◆ _____	WHEELS ◆ _____

OTHER



COMMENT
