

# B-MAX2

## SETTING SHEET Ver.01

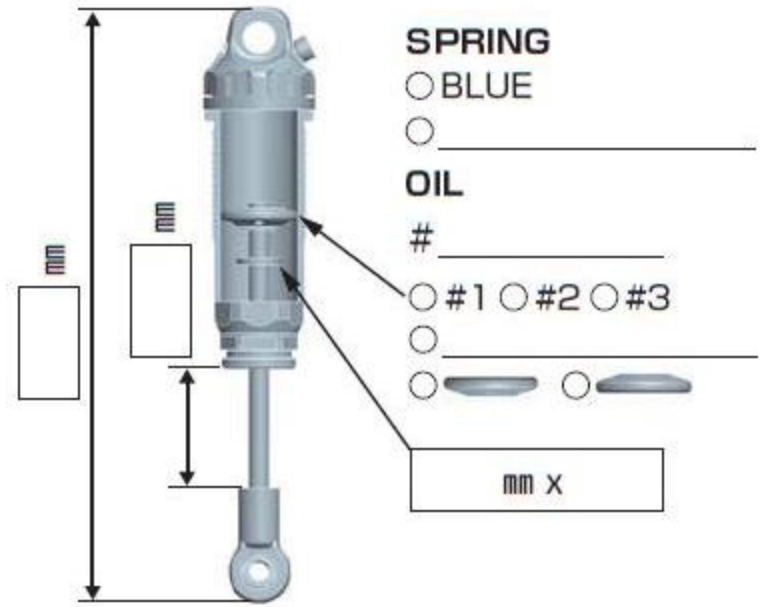
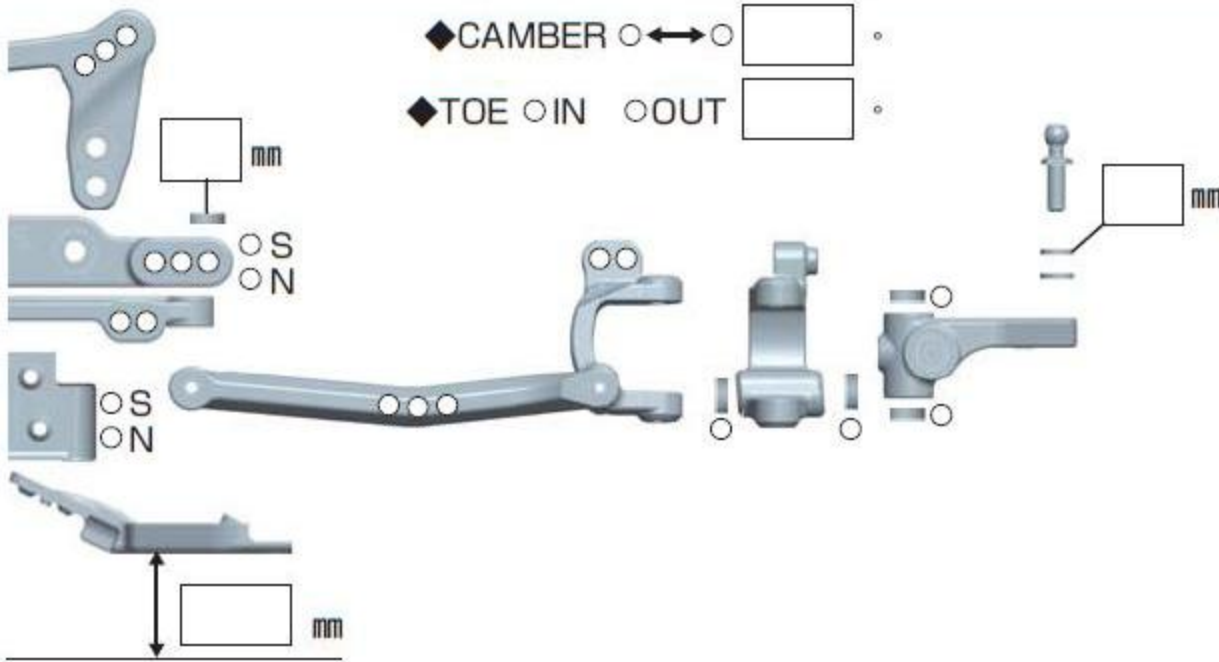
### CIRCUIT

- INDOOR  OUTDOOR
- WET  DRY  DUSTY  OTHER
- LOW TRACTION  MED TRACTION  HIGH TRACTION
- SMOOTH  BUMPY  BLUE GROOVE  ASTROTURF

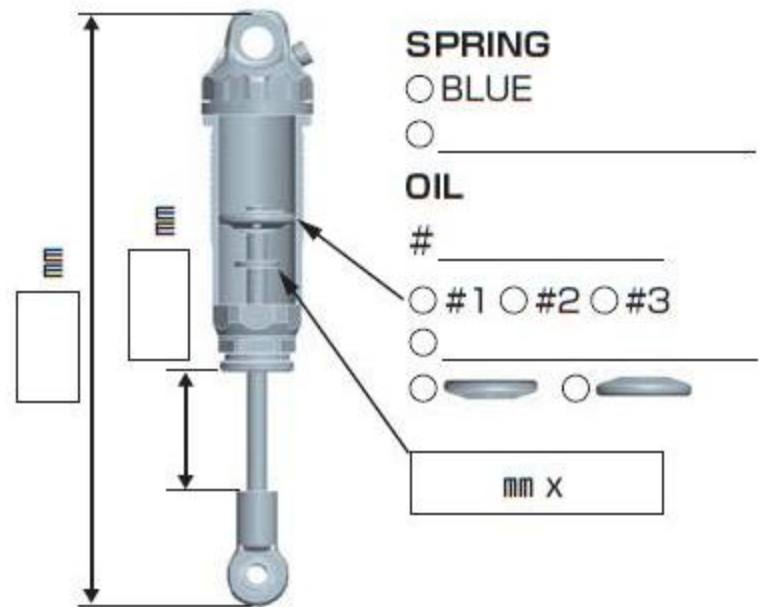
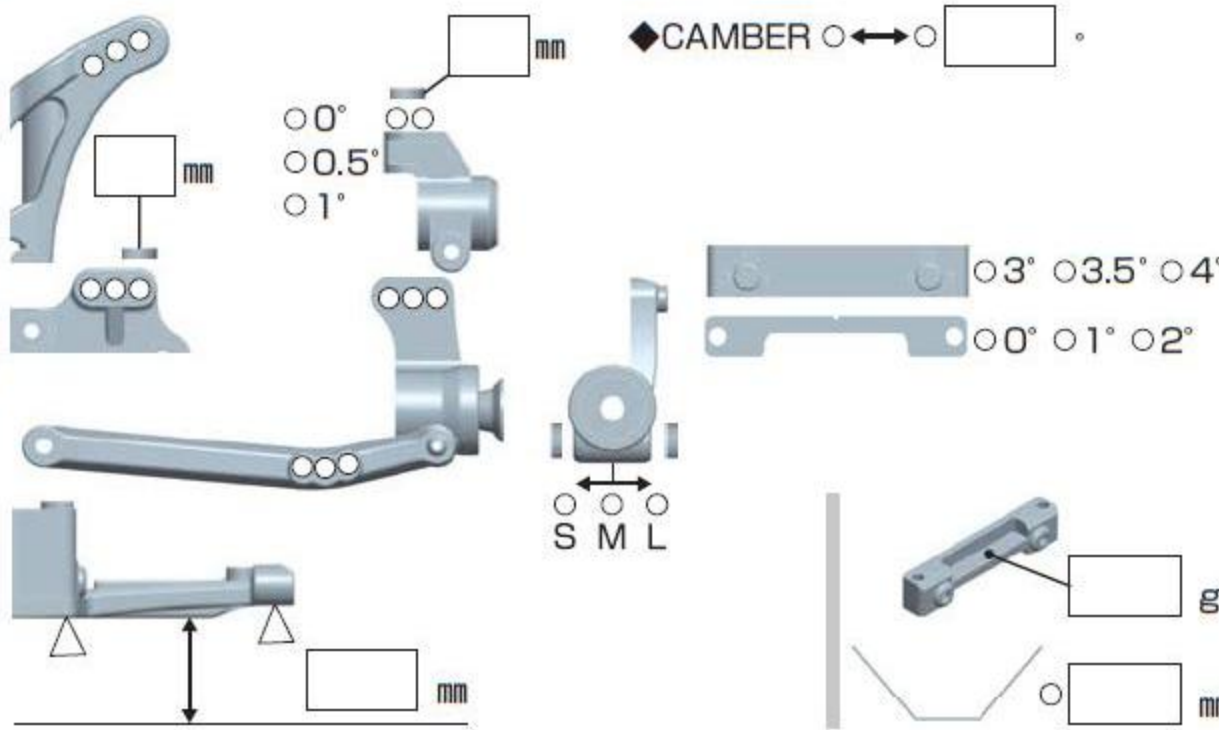
DRIVER \_\_\_\_\_

DATE      /      /

### FRONT

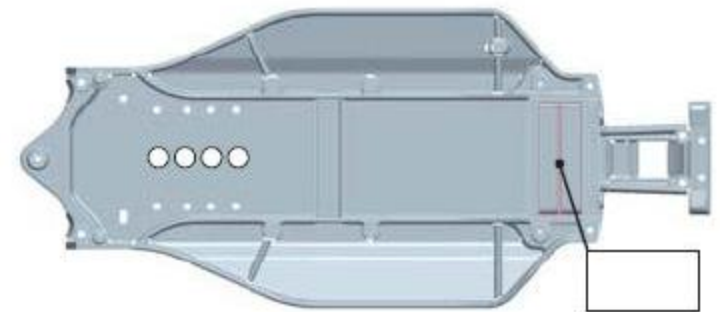


### REAR



### DRIVE

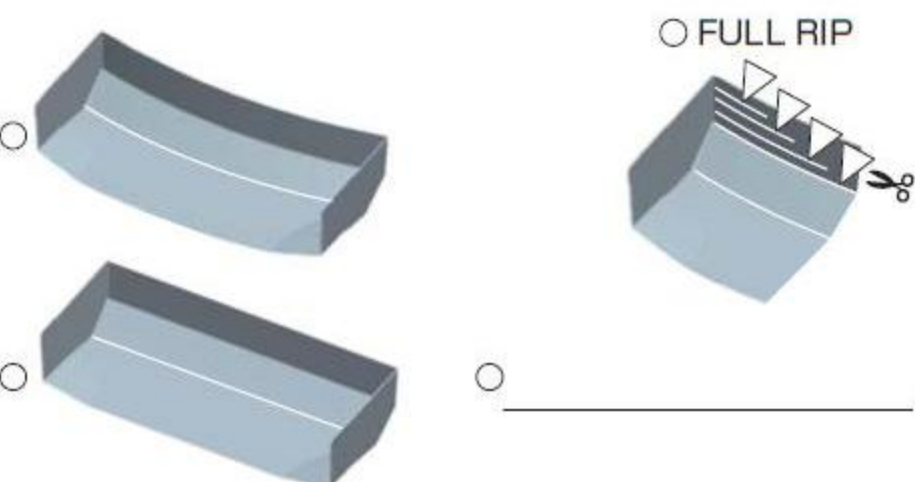
- MOTOR  \_\_\_\_\_  Bonded  Sintered mm
- GEAR  Spur T / Pinion T : 2.6
- BATTERY  \_\_\_\_\_
- ESC  NOSRAM / / /
- \_\_\_\_\_



### TIRE

- |         |                             |         |                             |
|---------|-----------------------------|---------|-----------------------------|
| FRONT   |                             | REAR    |                             |
| TIRE    | <input type="radio"/> _____ | TIRE    | <input type="radio"/> _____ |
| INSERTS | <input type="radio"/> _____ | INSERTS | <input type="radio"/> _____ |
| WHEELS  | <input type="radio"/> _____ | WHEELS  | <input type="radio"/> _____ |

### OTHER



### COMMENT

\_\_\_\_\_

\_\_\_\_\_

\_\_\_\_\_