

RACE

TRACK

NAME

CITY / COUNTRY

CONTACT

DATE

TEMPERATURE AIR TEMPERATURE TRACK

LAPS FINAL POSITION BEST LAP TIME RACE LENGTH

/sec /min

TRACKS

SIZE OPEN MEDIUM TIGHT

TRACTION LOW MEDIUM HIGH

SURFACE SMOOTH MEDIUM BUMPY

TYPE HARD PACKED SOFT DIRT CLAY
 BLUE GROVE ASTRO TURF GRASS

CONDITION DRY DUSTY WET MUD

DIFFERENTIAL

	FRONT	CENTER	REAR
TYPE	<input type="text"/>	<input type="text"/>	<input type="text"/>
OIL	<input type="text"/>	<input type="text"/>	<input type="text"/>

GEARING

PINION	<input type="text"/>	/T	SPUR GEAR	<input type="text"/>
DIFF. PINION	<input type="text"/>	/T	CROWN GEAR	<input type="text"/>

SHOCKS

FRONT	LINEAR <input type="checkbox"/>	PROGRESSIVE <input type="checkbox"/>	REAR
	OIL <input type="text"/>		
	REBOUND <input type="text"/>		
	PISTONS		
<input type="checkbox"/>	6 HOLES	<input type="checkbox"/>	6 HOLES
<input type="checkbox"/>	8 HOLES	<input type="checkbox"/>	8 HOLES
<input type="checkbox"/>	10 HOLES	<input type="checkbox"/>	10 HOLES
	OTHER PISTONS		

ANTI ROLL BAR

FRONT /mm THICKNESS REAR /mm

TIRES

FRONT	TYPE	REAR
	<input type="text"/>	<input type="text"/>
	INSERTS	<input type="text"/>
	WHEELS	<input type="text"/>

ELECTRONICS

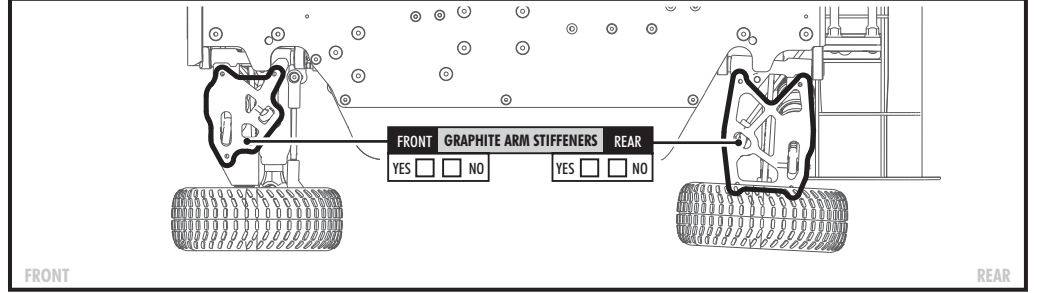
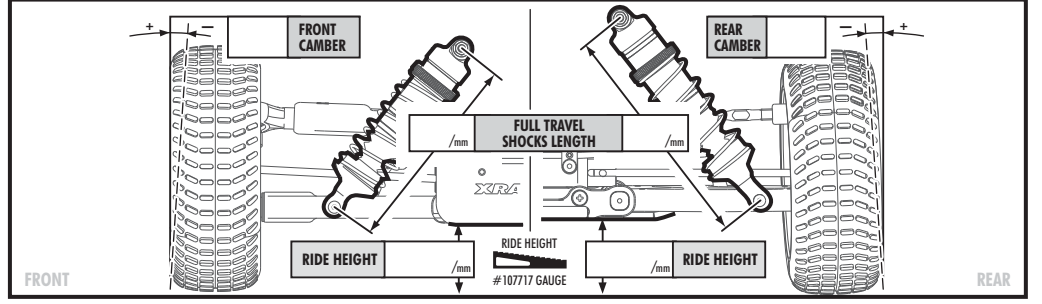
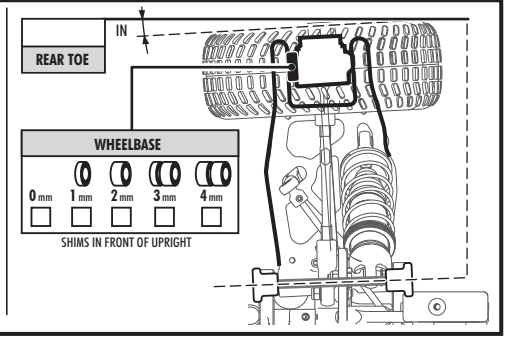
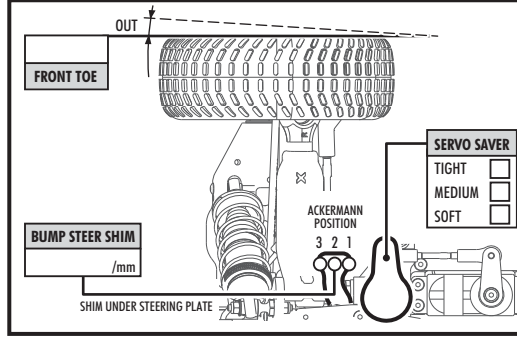
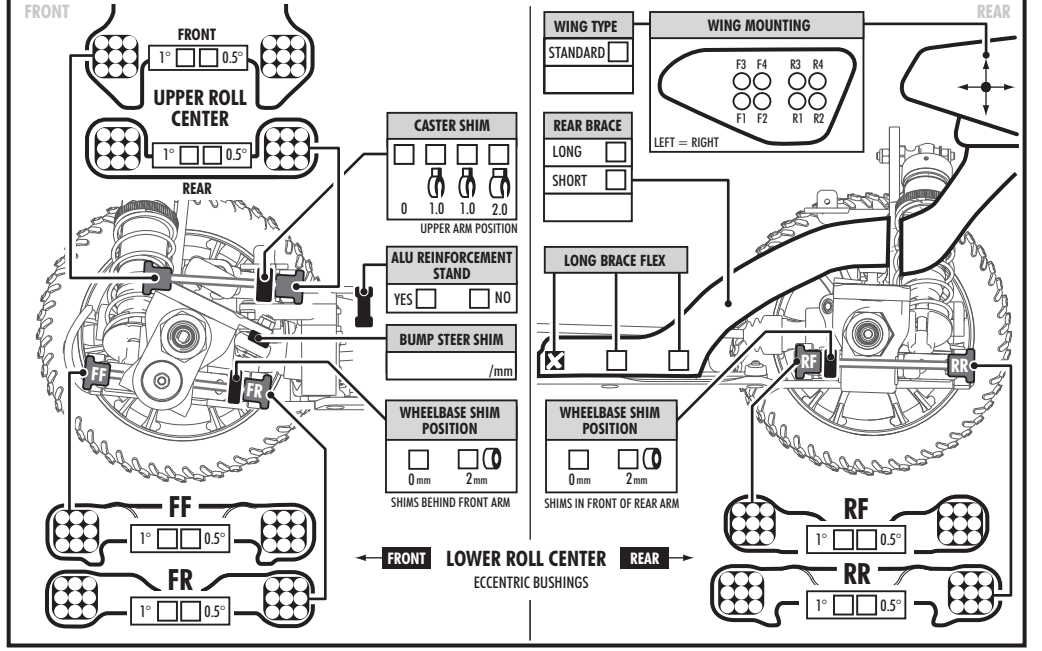
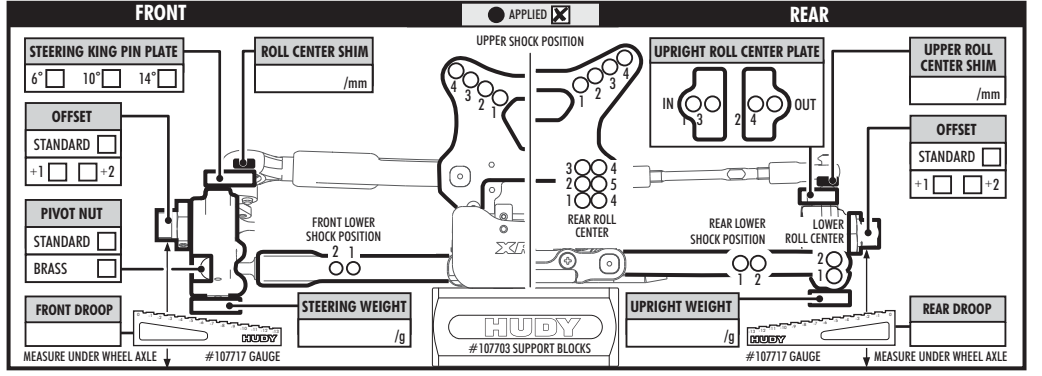
MOTOR

SPEEDO

BATTERIES

BODY

TYPE



COMMENTS