

# SET-UP SHEET

# XRAY XB8E

RACE	Euros warm-up
TRACK	Fehring
NAME	Martin Bayer
CITY / COUNTRY	Slavkov u Brna Czech Republic
CONTACT	bayer@bayer-racing.cz
DATE	31/05/2015

TEMPERATURE AIR		TEMPERATURE TRACK	
-----------------	--	-------------------	--

LAPS	FINAL POSITION	BEST LAP TIME	RACE LENGTH
	1	/sec	3x10/min

TRACKS			
SIZE	<input checked="" type="checkbox"/> OPEN	<input type="checkbox"/> MEDIUM	<input type="checkbox"/> TIGHT
TRACTION	<input checked="" type="checkbox"/> LOW	<input type="checkbox"/> MEDIUM	<input type="checkbox"/> HIGH
SURFACE	<input type="checkbox"/> SMOOTH	<input checked="" type="checkbox"/> MEDIUM	<input type="checkbox"/> BUMPY
TYPE	<input type="checkbox"/> HARD PACKED	<input type="checkbox"/> SOFT DIRT	<input checked="" type="checkbox"/> CLAY
	<input type="checkbox"/> BLUE GROVE	<input type="checkbox"/> ASTRO TURF	<input type="checkbox"/> GRASS
CONDITION	<input type="checkbox"/> DRY	<input type="checkbox"/> DUSTY	<input type="checkbox"/> WET
			<input type="checkbox"/> MUD

DIFFERENTIAL			
	FRONT	CENTER	REAR
TYPE	active	stock	stock
OIL	5 000	7 000	3 000

GEARING			
PINION	17 /T	46 /T	SPUR GEAR
DIFF. PINION	14 /T	46 /T	CROWN GEAR

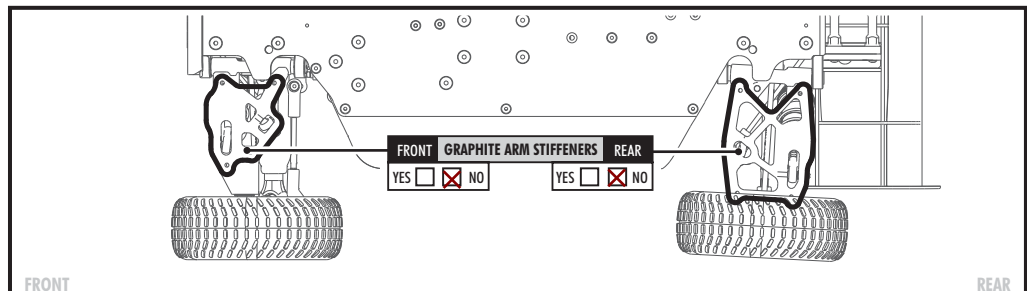
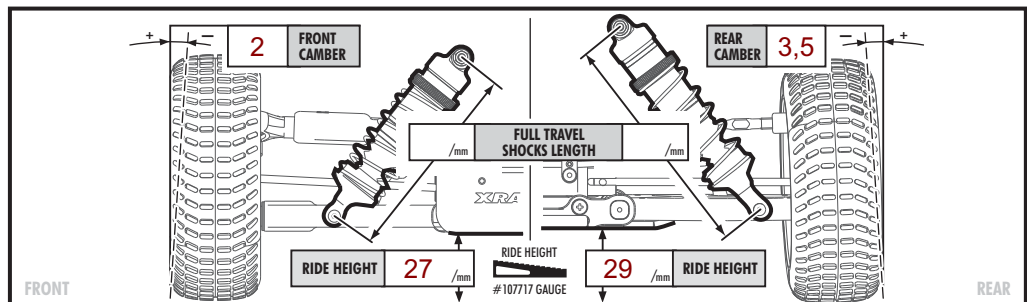
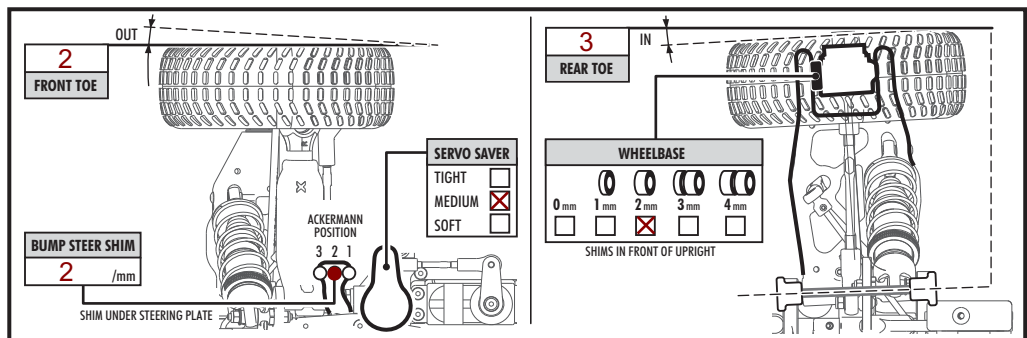
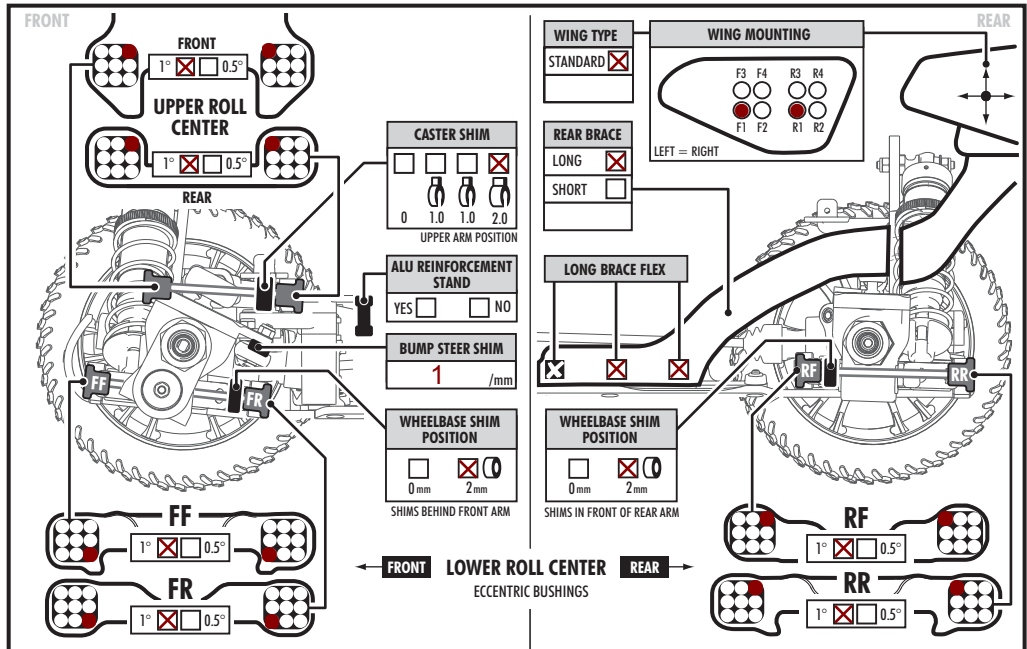
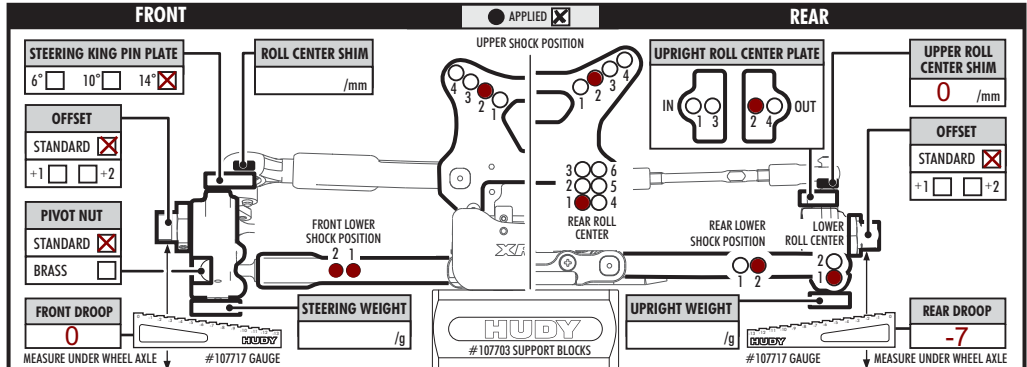
SHOCKS	
FRONT	REAR
4 strip	3 strip
<input checked="" type="checkbox"/> LINEAR	<input checked="" type="checkbox"/> PROGRESSIVE
600 /cst	450 /cst
0 /%	0 /%
REBOUND	
6 HOLES	6 HOLES
8 HOLES	8 HOLES
10 HOLES	10 HOLES
5x 1,5	5x 1,5

ANTI ROLL BAR	
FRONT	REAR
2,4 /mm	2,6 /mm

TIRES	
FRONT	REAR
Pro Line	Blockade X3
Pro Line	Pro Line
Pro Line	Pro Line

ELECTRONICS	
MOTOR	ORCA 1900 KV
SPEEDO	ORCA
BATTERIES	ORCA

BODY	
TYPE	XB8E



COMMENTS