

SET-UP SHEET

XRAY XB8E

RACE	RCMBT ROUND 4		
TRACK	Longvic, Dijon		
NAME	lorenzo22		
CITY / COUNTRY	Paris	France	
CONTACT	lorenzo.crolla@gmail.com		
DATE	01/06/2015		

TEMPERATURE AIR	20	TEMPERATURE TRACK	
-----------------	----	-------------------	--

LAPS	FINAL POSITION	BEST LAP TIME	RACE LENGTH
	2nd	36.7 /sec	10 /min

TRACKS			
SIZE	<input checked="" type="checkbox"/> OPEN	<input type="checkbox"/> MEDIUM	<input type="checkbox"/> TIGHT
TRACTION	<input type="checkbox"/> LOW	<input type="checkbox"/> MEDIUM	<input checked="" type="checkbox"/> HIGH
SURFACE	<input type="checkbox"/> SMOOTH	<input type="checkbox"/> MEDIUM	<input checked="" type="checkbox"/> BUMPY
TYPE	<input checked="" type="checkbox"/> HARD PACKED	<input type="checkbox"/> SOFT DIRT	<input type="checkbox"/> CLAY
	<input type="checkbox"/> BLUE GROVE	<input type="checkbox"/> ASTRO TURF	<input type="checkbox"/> GRASS
CONDITION	<input checked="" type="checkbox"/> DRY	<input type="checkbox"/> DUSTY	<input type="checkbox"/> WET
		<input type="checkbox"/> MUD	

DIFFERENTIAL			
	FRONT	CENTER	REAR
TYPE			
OIL	7000	7000	3000

GEARING			
PINION	16	45	SPUR GEAR
DIFF. PINION			CROWN GEAR

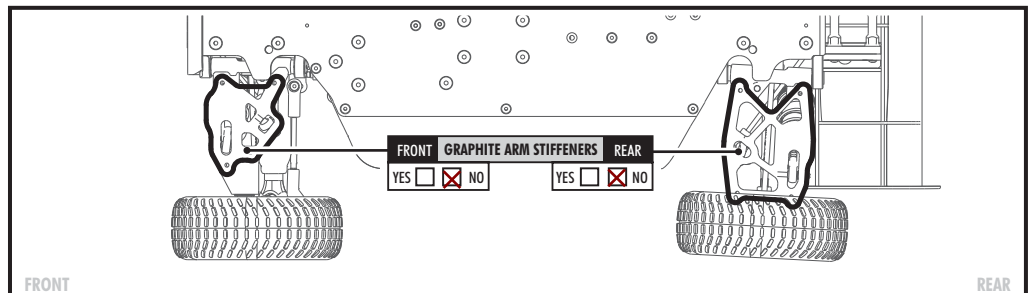
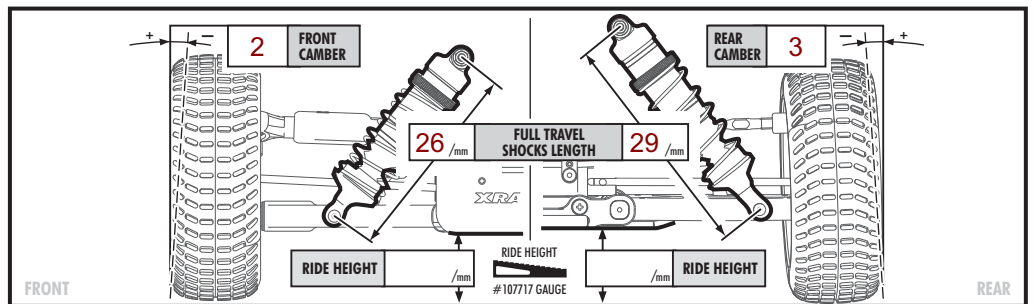
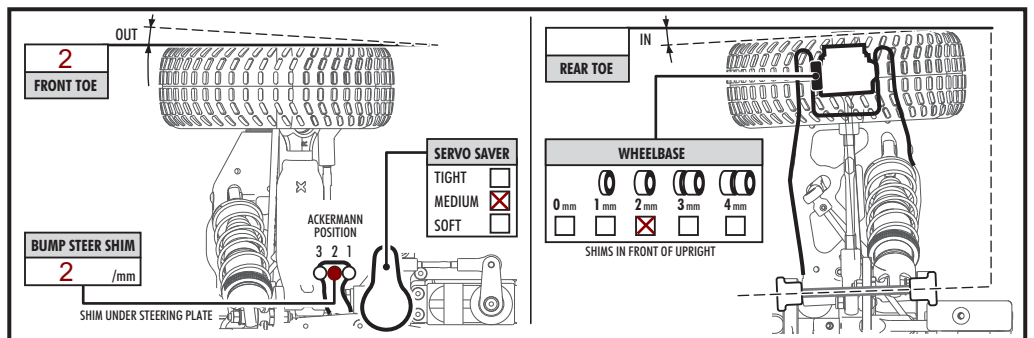
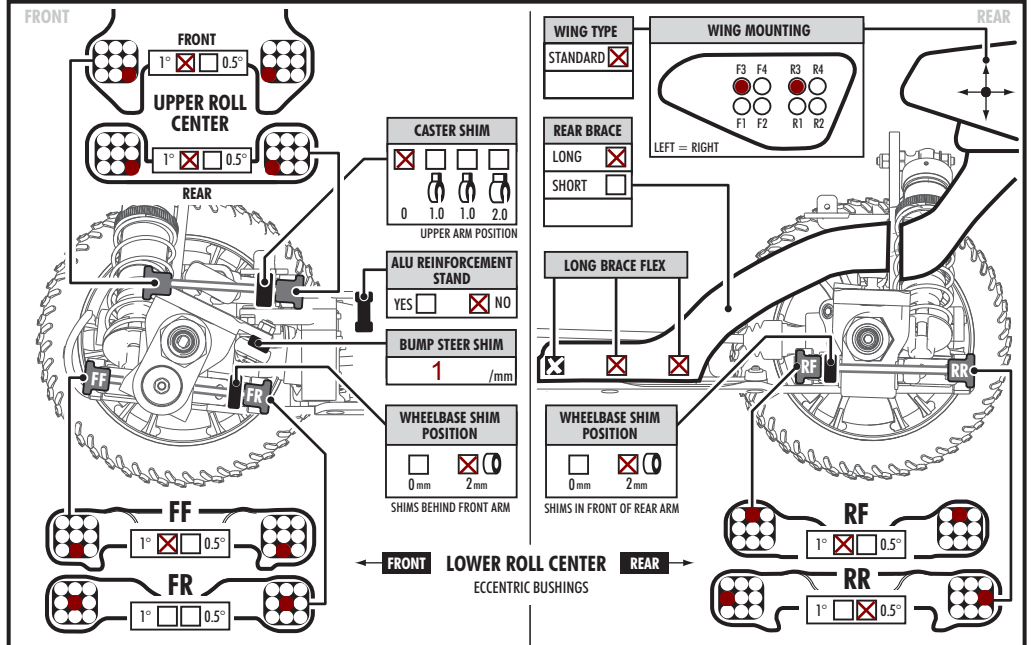
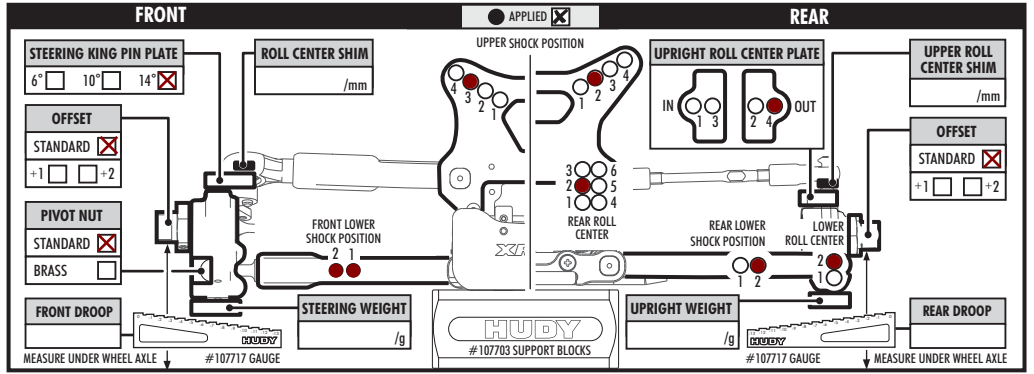
FRONT	SHOCKS		REAR
	3 stripes	LINEAR SPRINGS	2 stripes
	700 /cst	OIL	550 /cst
	50 /%	REBOUND	50 /%
	<input checked="" type="checkbox"/> 6 HOLES	PISTONS	<input checked="" type="checkbox"/> 6 HOLES
	<input type="checkbox"/> 8 HOLES	1.1 mm	<input checked="" type="checkbox"/> 8 HOLES
	<input type="checkbox"/> 10 HOLES	1.2 mm	<input checked="" type="checkbox"/> 10 HOLES
		1.3 mm	<input checked="" type="checkbox"/> 10 HOLES
		1.4 mm	<input type="checkbox"/> 10 HOLES
		OTHER PISTONS	

FRONT	ANTI ROLL BAR	REAR
	THICKNESS	
	2.3 /mm	2.7 /mm

FRONT	TIRES	REAR
PL Diamon Back x2	TYPE	PL diamon back X2
PL	INSERTS	PL
PL	WHEELS	PL

ELECTRONICS	
MOTOR	1800
SPEEDO	
BATTERIES	RC CONCEPT 8000mha

BODY	
TYPE	xb8E



COMMENTS

Xb8e with part of the Spec'15 (shock tower ; shock pistons)