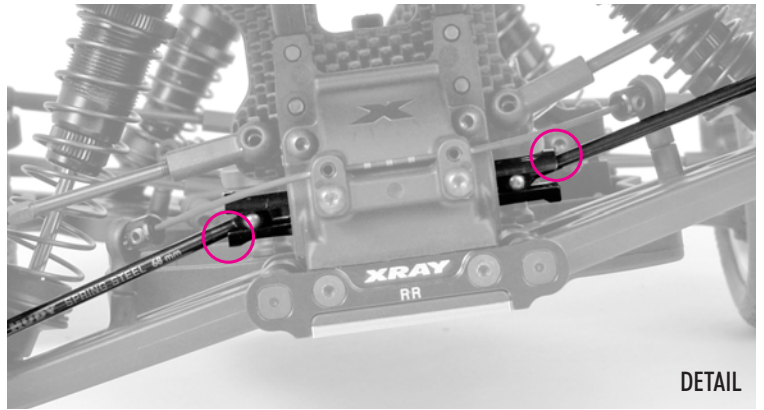
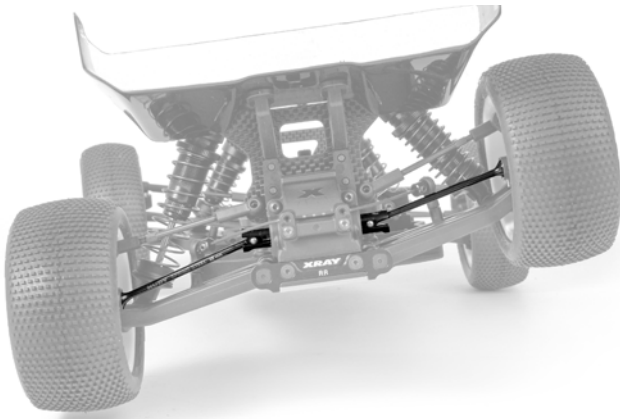


XRAY XB4'15

TIP REAR DIFF OUTDRIVES INFO

Regarding the diff outdrives, these were updated to improve the strength and reliability. Extra material was added to the outdrives to certain areas which shortened the opening in the outdrives. To keep the same suspension holders and not make new ones with different suspension positions it is suggested to use middle and outer positions for the suspension pins.



TO ELIMINATE THIS WE SUGGEST FOLLOWING:

UPTRAVEL

REAR

Using uptravel shim

All roll-center positions can be used

Not using uptravel shim

It is suggested to use middle or outer positions

DOWNTRAVEL

REAR

Use the downtravel shims on the shock shafts inside the shocks.

All roll-center positions can be used

Not using downtravel shims on the shock shafts inside the shocks.

It is suggested to use middle or outer positions