

# FACTORY X-6<sup>3</sup> Setup sheet

Arm0 - V1.2

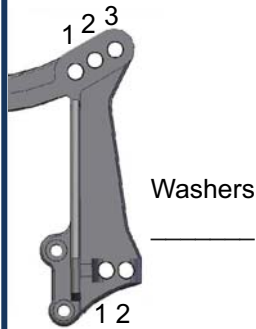
Driver: \_\_\_\_\_ Date: \_\_\_\_\_  
 Event: \_\_\_\_\_  
 Track: \_\_\_\_\_

## Track Condition

Composition: Astroturf Blue Groove Carpet Clay Dirt Grass Other: \_\_\_\_\_  
 Layout: Open Tight      Surface: Bumpy Smooth      Grip: Low Medium High

## Front Suspension

Toe: \_\_\_\_\_ Axles: Trailing Inline  
 Camber: \_\_\_\_\_ Caster Block: 20° 25° 30°  
 Ride Height: \_\_\_\_\_ Ackermann: Forward Back



## Front Shocks

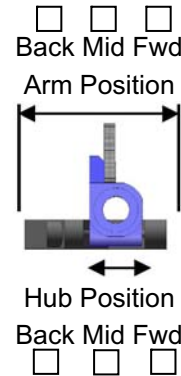
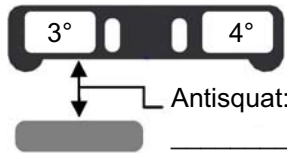
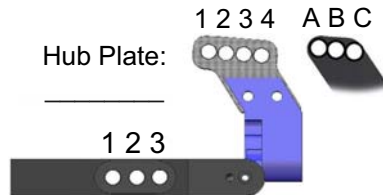
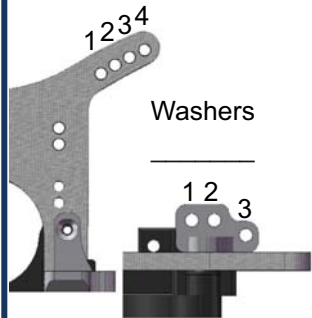
Brand: \_\_\_\_\_  
 Spring: \_\_\_\_\_  
 Piston: \_\_\_\_\_  
 Oil: \_\_\_\_\_ Emulsion: Yes No  
 Limiters: \_\_\_\_\_

## Front Tires

Tire: \_\_\_\_\_  
 Insert: \_\_\_\_\_  
 Wheels: \_\_\_\_\_

## Rear Suspension

Camber: \_\_\_\_\_ Rear Hub Carrier  
 Ride Height: \_\_\_\_\_ 0° 0.5°  
 Transmission Height: \_\_\_\_\_ 1° 1.5°  
 Swaybar: \_\_\_\_\_ Trans Brace  
 Hinge Pin Brace Spacer: 0 1mm 2mm 3mm



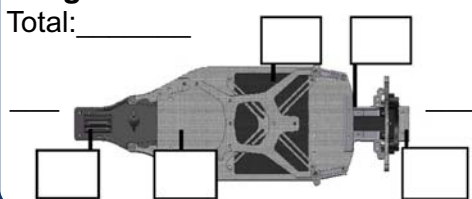
## Rear Shocks

Brand: \_\_\_\_\_  
 Spring: \_\_\_\_\_  
 Piston: \_\_\_\_\_  
 Oil: \_\_\_\_\_ Emulsion: Yes No  
 Limiters: \_\_\_\_\_

## Rear Tires

Tire: \_\_\_\_\_  
 Insert: \_\_\_\_\_  
 Wheels: \_\_\_\_\_

## Weighs:



## Comments:

Body & wing: \_\_\_\_\_

Battery: \_\_\_\_\_  
 Motor: \_\_\_\_\_ Gearing: \_\_\_\_/\_\_\_\_  
 Diff Settings: \_\_\_\_\_  
 Slipper: \_\_\_\_\_ 2 pads 3 pads  
 ESC: \_\_\_\_\_  
 ESC Settings: \_\_\_\_\_