

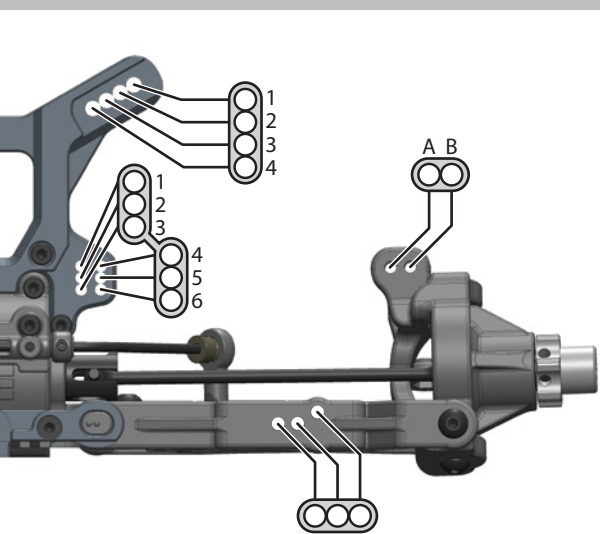
Name: _____ Date: _____ Event/Track: _____

Track Conditions: Outdoor Indoor Wet Dry High Bite Low Bite Rough
 Smooth Hard Packed Loose/Loamy Blue Groove

Bumpsteer/Ackerman/Servo Saver/Steering Stop:

<p># washers <input type="checkbox"/> over <input type="checkbox"/> under ballstud <input type="checkbox"/> <input type="checkbox"/></p>	<p># washers <input type="checkbox"/> over <input type="checkbox"/> under ballstud <input type="checkbox"/> <input type="checkbox"/></p>	<p><input type="checkbox"/> front <input type="checkbox"/> middle <input type="checkbox"/> rear</p>
--	--	---

Front End:



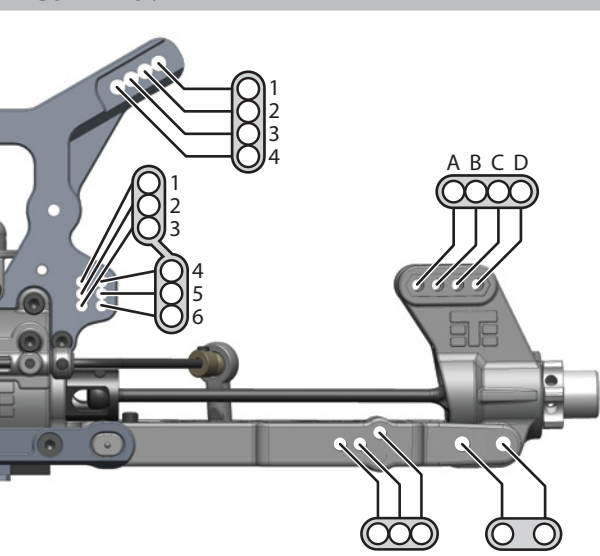
Front Outer (Sweep)

1.0F 0.5F 0.0 0.5R 1.0R

Front Inner (Kick Up)

10.0° 10.5° 11.0° 11.5° 12.0°

Rear End:



Rear Outer (Toe In)

2.5° 3.0° 3.5° 4.0° 4.5°

Rear Inner (Anti-Squat)

3.0° 2.5° 2.0° 1.5° 1.0°

of turns from fully tightened

washers

Suspension:

	FRONT	REAR
RIDE HEIGHT:		
TOE (in/out):		
CAMBER:		
CASTER:		Deg°
SHOCK LENGTH (DROOP):		
SWAY BAR:		

NOTES:

Body/Wing:

BODY:	
WING:	

(DOWNFORCE POSITION)

Wheelbase:

mm /FRONT

mm /REAR

large 2mm
small 1mm

Notes:

	FRONT	REAR
STD/EMUL/VENT:		
PISTON:		
OIL:		
BLADDER:		
REBOUND:	%	%
SPRING:		

NOTES:

Tires / Wheels:

	FRONT	REAR
BRAND:		
TREAD:		
COMPOUND:		
INSERT:		
WHEEL:		

NOTES:

Differential Oil:

	FRONT	CENTER	REAR

NOTES:

Equipment:

ENGINE:	
PIPE	
PLUG:	
FUEL:	
RX BATT:	
SERVOS:	steering / throttle/brake

Drivetrain:

CLUTCH/SPUR:		(teeth)
CLUTCH SHOES:		
CLUTCH SPRINGS:		
ENGINE POSITION:	Front <input type="checkbox"/>	Rear <input type="checkbox"/>
BRAKE BIAS:	front %	rear %

Chassis Braces:

Center Rear Left Rear Right