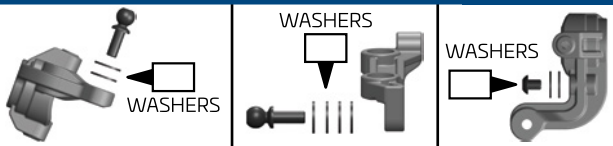
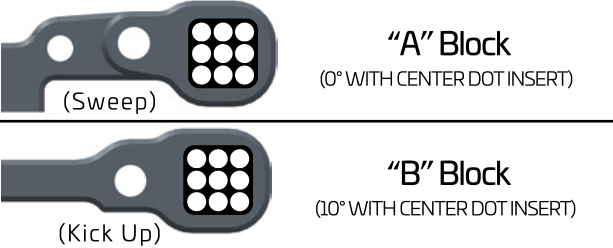
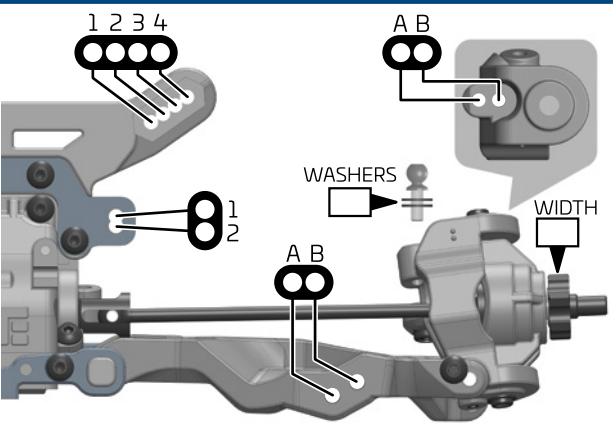


**Name:** \_\_\_\_\_ **Date:** \_\_\_\_\_ **Event:** \_\_\_\_\_  
**Track:** Indoor  Outdoor  **Size:** Small  Medium  Large  **Traction:** Low  Med  High   
**Surface:** Smooth  Bumpy  Rutted  **Type:** Dirt  Clay  Carpet  Astroturf   
**Condition:** Dusty  Dry  Wet  Muddy

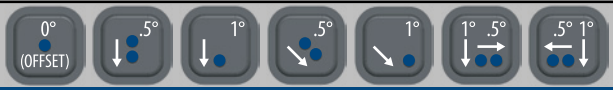
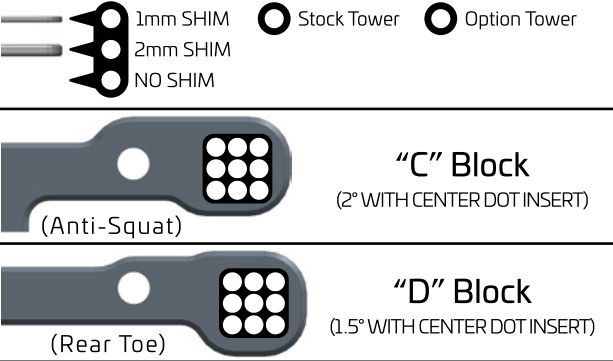
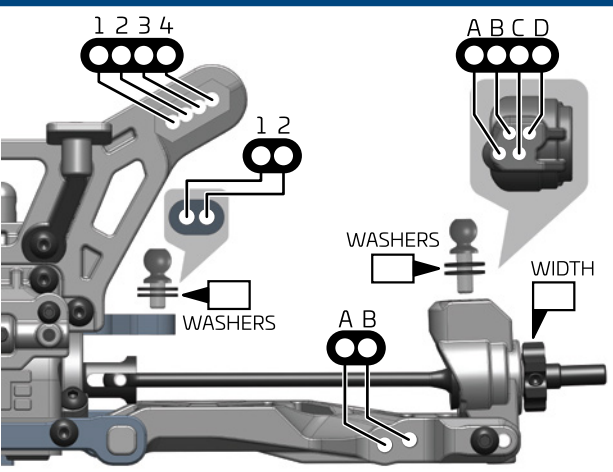
### Bumpsteer/Ackermann/Steering Stop:



### Front End:



### Rear End:



### Suspension:

	FRONT	REAR
RIDE HEIGHT		
CAMBER		
CASTER		
SWEEP		
KICK UP		
ANTI-SQUAT		
TOE (in/out)	(per side)	(per side)
SWAY BAR		
SHOCK LENGTH (DROOP)		

### Shocks:

	FRONT	REAR
OIL		
BRAND		
PISTON		
SPRING		
REBOUND	%	%
BUILD		

NOTES: \_\_\_\_\_

### Tires / Wheels:

	FRONT	REAR
BRAND/TREAD		
COMPOUND		
INSERT		
WHEEL		

NOTES: \_\_\_\_\_

### Body/Wing:

**DOWNFORCE SETTINGS**

Shim/Direction: 3° (left), 15°, 0°, 15°, 3° (right)

9° Total Wing Angle

7.5°, 6°, 4.5°, 3°

**WING POSITION SETTINGS**

(rear) (front)

### Differential Oil:

FRONT	CENTER	REAR

### Electronics:

ESC:	
BATTERY:	
MOTOR:	
RADIO:	
SERVO:	

### Wheelbase/Axle Sweep:

**Front Arm**

front rear

large 1mm small .5mm

MUST = 2mm TOTAL

**Rear Arm**

front rear

large 1mm small .5mm

MUST = 1.5mm TOTAL

### Drivetrain:

PINION/SPUR	
-------------	--

### Chassis Braces:

Short Rear  Long Rear

### Notes:

\_\_\_\_\_

\_\_\_\_\_

\_\_\_\_\_

\_\_\_\_\_