

Name: Joe Bornhorst

Date: 1/29/20

Event: Reedy Race

Track: INDOOR OUTDOOR

Size: SMALL MEDIUM LARGE

Traction: LOW MEDIUM HIGH

Surface: SMOOTH BUMPY RUTTED

Type: LOOSE / LOAMY HARD PACKED BLUE GROOVE CLAY ASTRO

Bumpsteer/Ackerman/Steering Stop:

Condition: DUSTY DRY WET MUDDY



Suspension:

RIDE HEIGHT: 19 CAMBER: -1
 CASTER: 15 LRC SWEEP: 0
 KICK UP: 11 TOE: 0
 SWAY BAR: 1.3 DROOP:

Differential Oil:

FRONT CENTER REAR
 15 / 60 / 15

Drivetrain:

PINION / SPUR: 21 / 81 (teeth)

Equipment:

MOTOR: Tekin gen3 6.5t

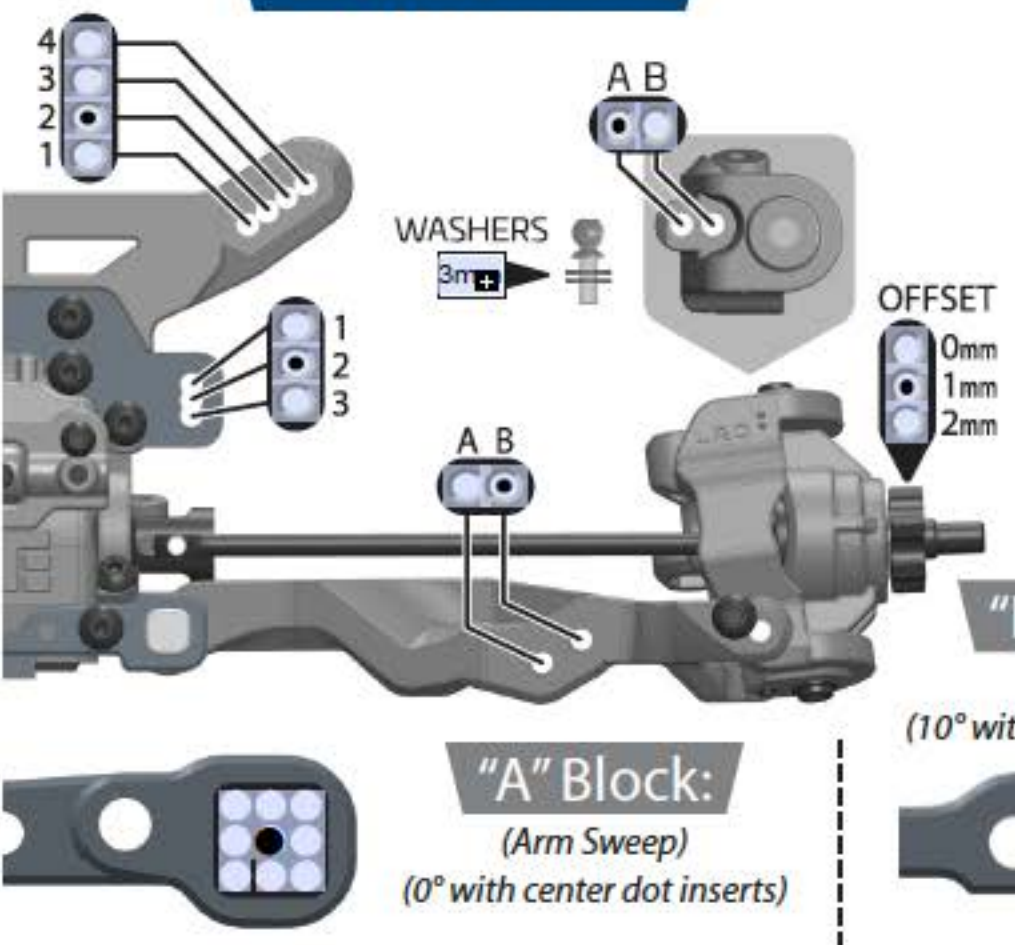
ESC: Tekin RSX Pro

BATTERY: Protek 5800

RADIO: Futaba 7px

SERVO: MKS HBL599SL

Front End:



Shocks:

OIL: 500 BRAND: JTP
 PISTON: 8x1.2 SPRING: Red
 REBOUND: min BUILD: emul
 STROKE: 24

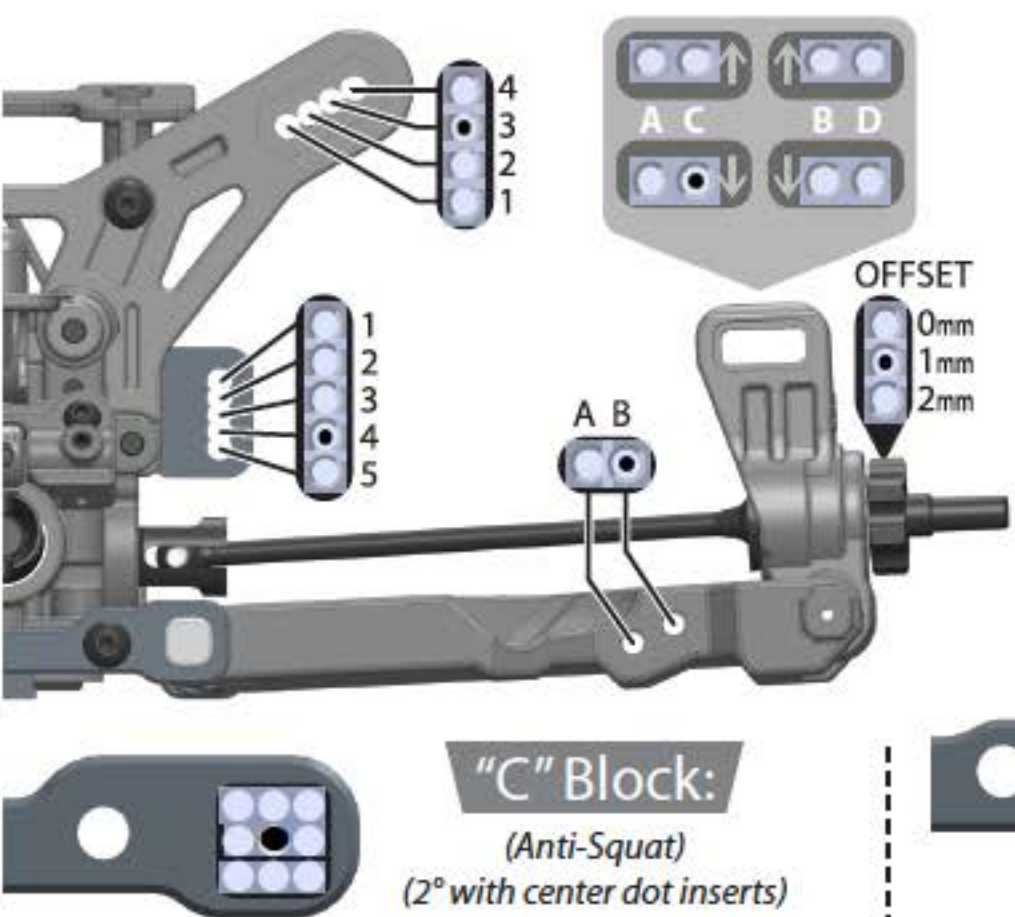
Chassis Braces:

REAR-SHORT: REAR-LONG:

Tires / Wheels:

BRAND / TREAD:
 COMPOUND:
 INSERT:
 WHEEL:
 NOTES:

Rear End:



Suspension:

RIDE HEIGHT: 19 CAMBER: -1
 ANTI-SQUAT: 2 TOE: 2
 SWAY BAR: 1.5 DROOP:

Shocks:

OIL: 400 BRAND: JTP
 PISTON: 8x1.3 SPRING: Pink
 REBOUND: min BUILD: emul
 STROKE: 30

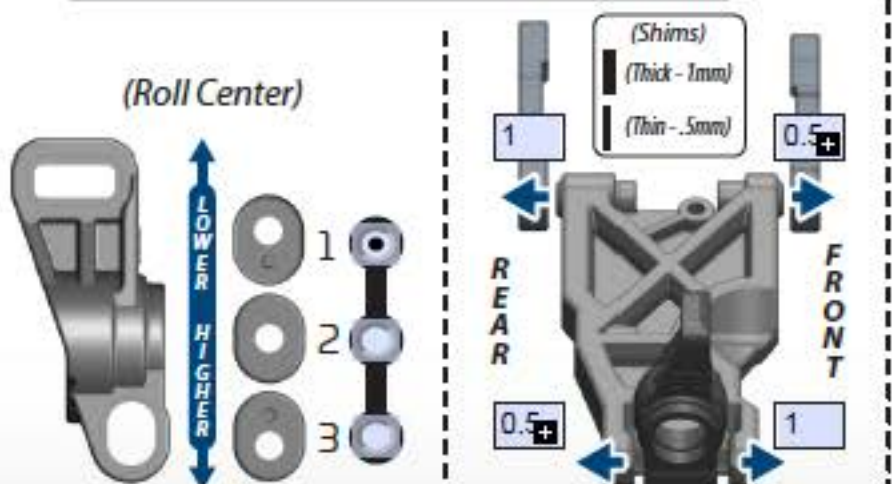
Body / Wing:

BODY MAKE: Pro-Line
 WING MAKE: Tekno

Notes:

All carbon options
 Aluminum shock caps
 TKR 6524B rear arms

Rear Hub / Wheelbase:



Wing:

