

TS4 Pro Roller

SETUP SHEET for the TeamC TS4

Driver _____

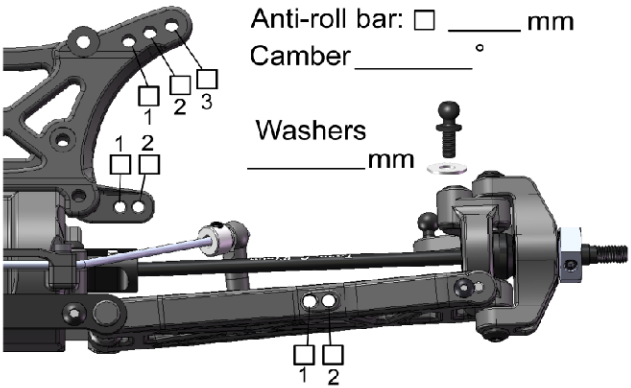
Track / City _____

Event _____ Date ____/____/____

Conditions

- Smooth Bumpy Low traction Med traction High traction
 Sandy Soft dirt Grass Hard soil Clay Wet Dry Dusty Other

Front Suspension Shock Mounting&Camber link



Anti-roll bar: _____ mm

Camber _____ °

Washers _____ mm

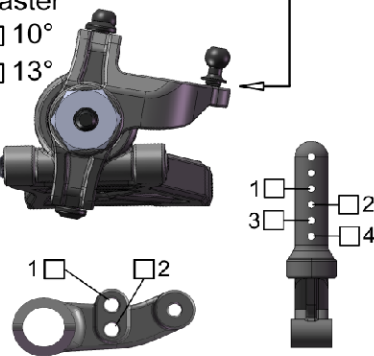
Toe-in (+)/Out (-) _____ °

Bump Steep Spacer _____

Caster

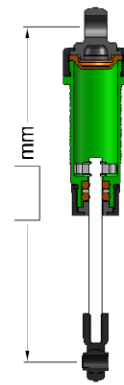
10°

13°



Ride height _____

Front Shocks



Spring(color)

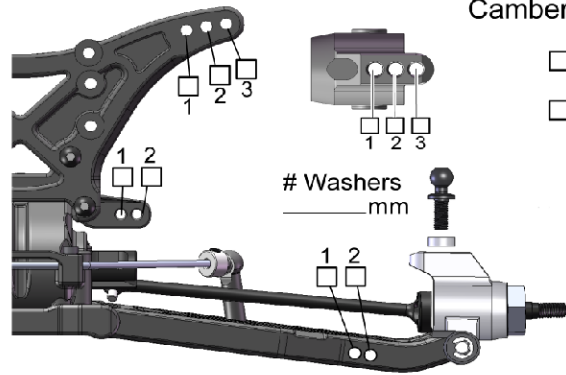
Black

Helper Spring

Oil _____ wt

Piston # _____

Rear Suspension

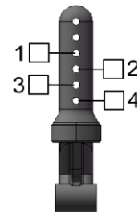


Shock Mounting&Camber link

Anti-roll bar: _____ mm

Camber _____ °

Washers _____ mm

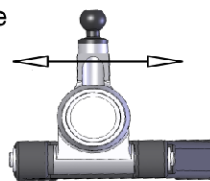


Wheelbase

Long

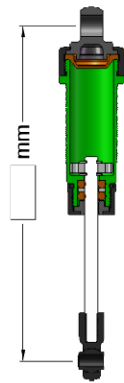
Medium

Short



Ride height _____

Rear Shocks



Spring(color)

Black

Helper Spring

Oil _____ wt

Piston # _____

Front Tires&Wheels

Front Tires _____

Inserts _____ Wheels _____

Rear Tires&Wheels

Rear Tires _____

Inserts _____ Wheels _____

Batteries

Servo _____

Esc _____

Batteries _____

Motor

Motor _____

Pinion/Spur _____ / _____

Comments

Notes _____
