

Setup Sheet



Driver _____

Track / City _____

Event _____ Date ____ / ____ / ____

Conditions

- High traction
 Clay

- Smooth
 Sandy
 Wet

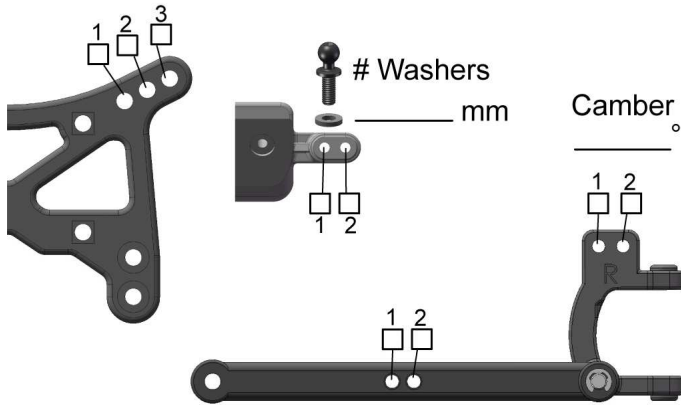
- Bumpy
 Soft dirt
 Dry

- Low traction
 Grass
 Dusty

- Med traction
 Hard soil
 Other

Front Suspension

Shock Mounting & Camber link



Ride height _____

Washers _____ mm

Camber _____ °

Toe-in (+)/Out (-) _____ °

Bump Steep Spacer _____

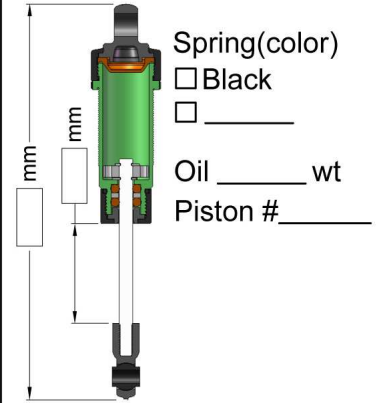
Caster

- 25°
 30°

Washers _____ mm



Front Shocks



Spring (color)

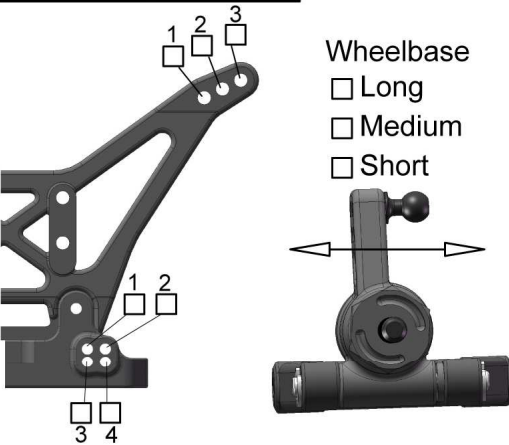
- Black

Oil _____ wt

Piston # _____

Rear Suspension

Shock Mounting & Camber link



Ride height _____

Wheelbase

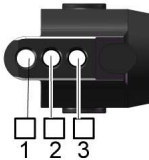
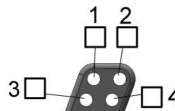
- Long
 Medium
 Short

Camber _____ °

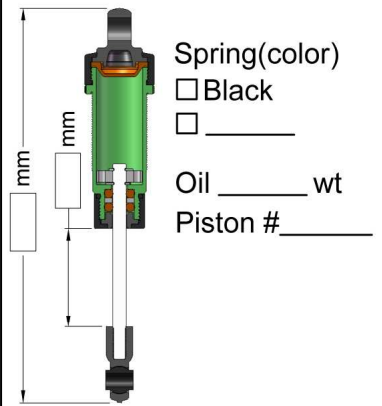
Aluminum (Opt)

Washers _____ mm

Normal



Rear Shocks



Spring (color)

- Black

Oil _____ wt

Piston # _____

Front Tires & Wheels

Front Tires _____

Inserts _____ Wheels _____

Rear Tires & Wheels

Rear Tires _____

Inserts _____ Wheels _____

Radio/Batteries

Servo _____

Esc _____

Batteries _____

Motor

Motor _____

Pinion/Spur _____ / _____

Comments

Notes _____

