

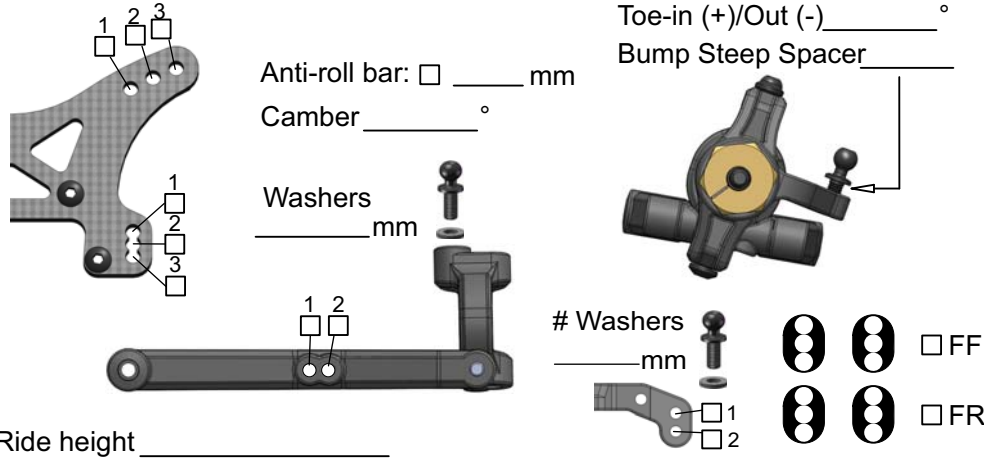
Driver \_\_\_\_\_  
 Track / City \_\_\_\_\_  
 Event \_\_\_\_\_ Date \_\_\_\_ / \_\_\_\_ / \_\_\_\_

**SETUP SHEET for the TeamC TM4**

**Conditions**

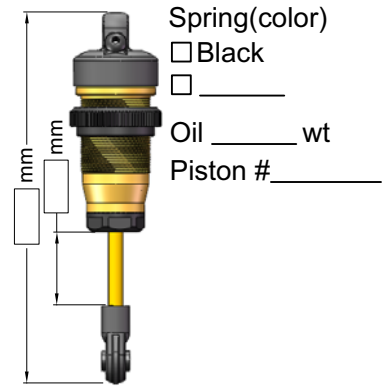
- Smooth     Bumpy     Low traction     Med traction     High traction  
 Sandy     Soft dirt     Grass     Hard soil     Clay     Wet     Dry     Dusty     \_\_\_\_\_

**Front Suspension Shock Mounting&Camber link**



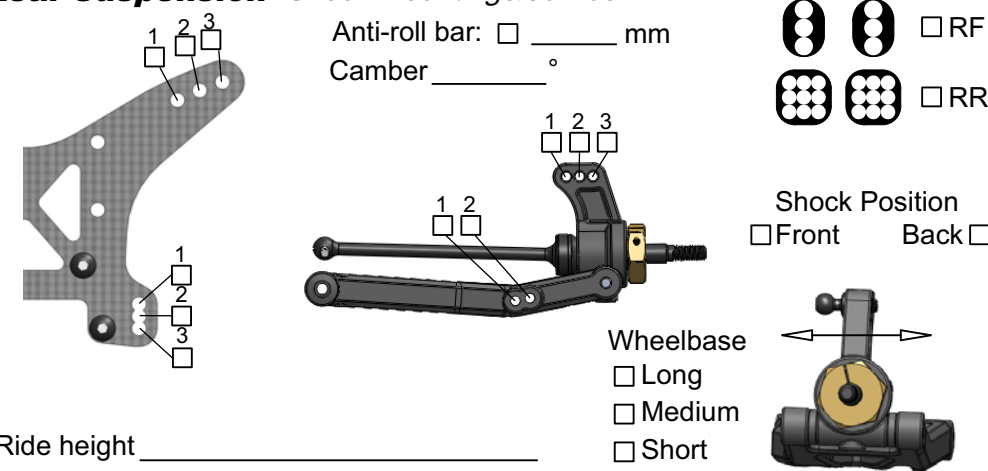
Toe-in (+)/Out (-) \_\_\_\_\_ °  
 Bump Steep Spacer \_\_\_\_\_  
 Anti-roll bar:  \_\_\_\_\_ mm  
 Camber \_\_\_\_\_ °  
 Washers \_\_\_\_\_ mm  
 # Washers \_\_\_\_\_ mm  
 FF  
 FR  
 Ride height \_\_\_\_\_

**Front Shocks**



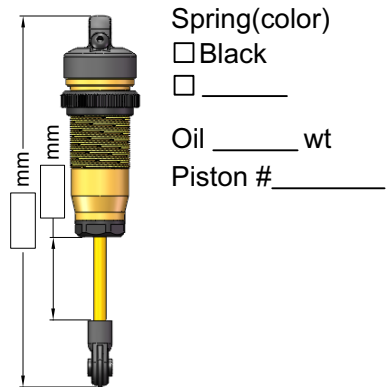
Spring(color)  
 Black  
 \_\_\_\_\_  
 Oil \_\_\_\_\_ wt  
 Piston # \_\_\_\_\_

**Rear Suspension Shock Mounting&Camber link**



Anti-roll bar:  \_\_\_\_\_ mm  
 Camber \_\_\_\_\_ °  
 RF  
 RR  
 Shock Position  
 Front     Back  
 Wheelbase  
 Long  
 Medium  
 Short  
 Ride height \_\_\_\_\_

**Rear Shocks**



Spring(color)  
 Black  
 \_\_\_\_\_  
 Oil \_\_\_\_\_ wt  
 Piston # \_\_\_\_\_

**Front Diff**  Ball     Gear  
 Setting \_\_\_\_\_  
 Brand & Oil wt \_\_\_\_\_

**Center Diff**  Slipper     Gear  
 Setting \_\_\_\_\_  
 Brand & Oil wt \_\_\_\_\_

**Rear Diff**  Ball     Gear  
 Setting \_\_\_\_\_  
 Brand & Oil wt \_\_\_\_\_

**Tires** Front \_\_\_\_\_ Rear \_\_\_\_\_  
 Notes \_\_\_\_\_ Notes \_\_\_\_\_  
 Inserts \_\_\_\_\_ Wheels \_\_\_\_\_ Inserts \_\_\_\_\_ Wheels \_\_\_\_\_

**Electronics, Motor & Wing**  
 Servo \_\_\_\_\_ Motor \_\_\_\_\_  
 ESC \_\_\_\_\_ Pinion/Spur \_\_\_\_\_ / \_\_\_\_\_  
 Reciever \_\_\_\_\_ Wing \_\_\_\_\_  
 Batteries \_\_\_\_\_ Lip \_\_\_\_\_  
 Wing Angle  4°     10°