

Setup Sheet for Team C TM2

Arm0 at PetitRC.com

Driver David Poulter

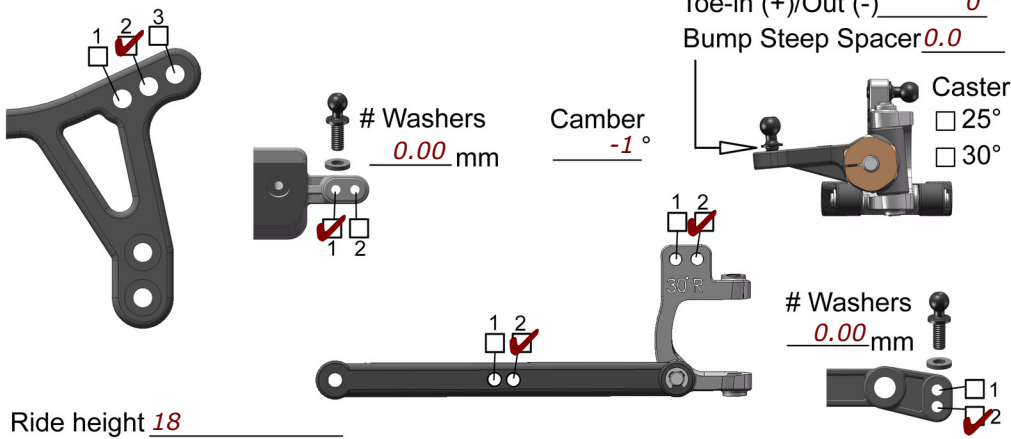
Track / City The Plough Raceway, Tonbridge

Event South East Regional Date 14. / 7. / 2013

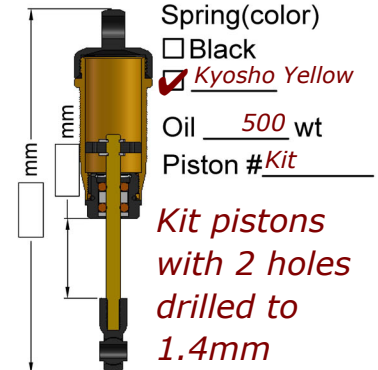
Conditions

- Smooth Bumpy Low traction Med traction High traction
 Sandy Soft dirt Grass Hard soil Clay Wet Dry Dusty 32 deg C

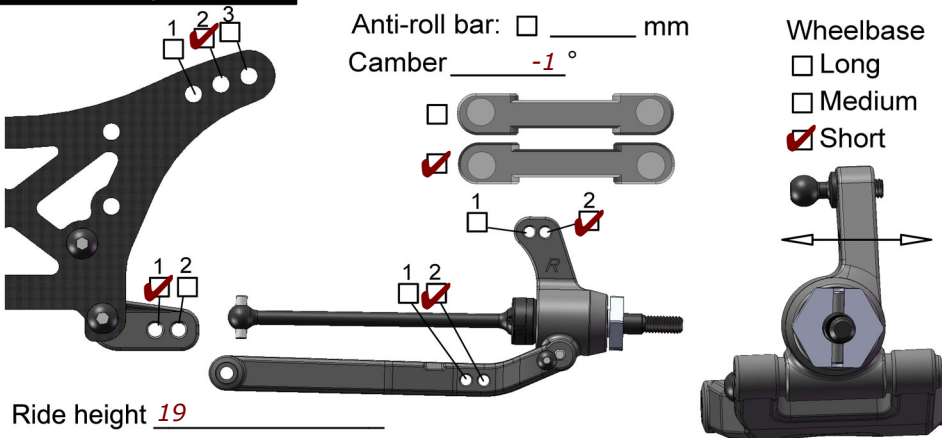
Front Suspension Shock Mounting & Camber link



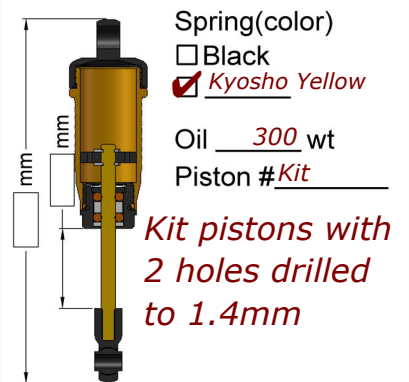
Front Shocks



Rear Suspension Shock Mounting & Camber link



Rear Shocks



Front Tires & Wheels

Front Tires Schumacher Cut Stagger - Yellow
 Inserts None Wheels Kyosho

Rear Tires & Wheels

Rear Tires Schumacher Minispike - Yellow - Full
 Inserts Mr O Foams - Blue Wheels Kyosho

Batteries

Servo Team Orion VDS2HV 1605
 Esc Team Orion R10
 Batteries Team Orion Shorty

Motor

Motor Team Orion VST2 7.5T
 Pinion/Spur 23 / 85

Other

Wing LMR
 Wing Angle 4° 10°
Gurney Level = 3 strips removed

Comments

Notes _____

Alloy rear hubs on outer hole with 2mm under. The car was very stable all day despite the track losing most of the grass by round 1. I was able to run consistent laps in all runs and TQed all 4 round in Qually along with winning all 3 legs on the Main.